



**Non-reversing contactor**  
**NEMA controller size 1**  
**Single Phase, 2-Pole**  
**Maximum voltage rating 240VAC**  
**Max Hp 60Hz: 2@115V; 3@208/230V**  
**Control voltage 110–120/220–240VAC 60Hz**  
**NEMA Type 12 enclosure**

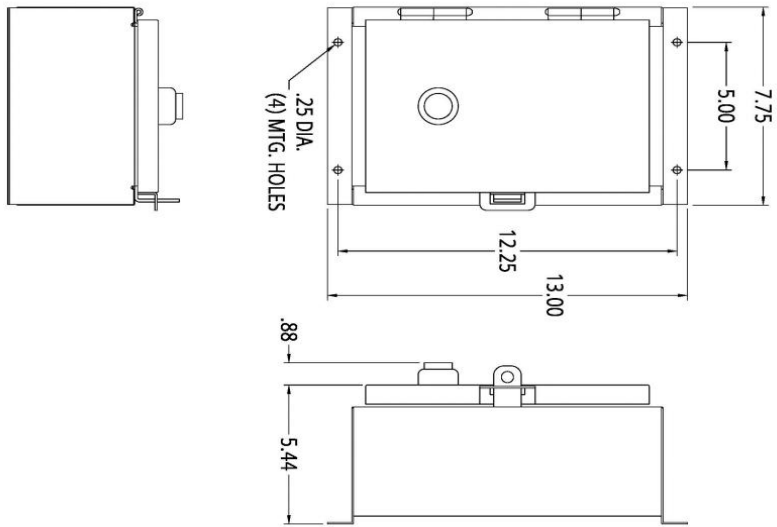


Image is representative and may not depict the actual product.

| <b>General technical data:</b>                    |                                       |
|---|---------------------------------------|
| Weight  | 11 lb                                 |
| Height x Width x Depth                            | 13 x 8 x 5 in.                        |
| Finger-safe (main circuit / control circuit)      | NA / NA                               |
| Maximum altitude                                  | 6560 ft                               |
| Ambient storage temperature                       | (-30 to 65)°C / (-22 to 149)°F        |
| Ambient operating temperature                     | (-20 to 40)°C / (-4 to 104)°F         |
| Humidity (% non-condensing)                       | (no data)                             |
| Rated impulse voltage resistance                  | (no data)                             |
| Rated insulation voltage                          | (no data)                             |
| Country of origin                                 | USA                                   |
| <b>Contactors:</b>                                |                                       |
| Number of NO main contacts                        | 2                                     |
| Amp rating  | 27A                                   |
| Mechanical operating cycles                       | 10,000,000                            |
| <b>Internal/standard auxiliary contact:</b>       |                                       |
| Number of NC / NO auxiliary contacts              | 0NC / 1NO                             |
| Rating  | 10A@600VAC (A600), 5A@600VDC (P600)   |
| <b>Optional auxiliary contact:</b>                |                                       |
| Max number of NC / NO auxiliary contacts          | 8 total                               |
| Rating  | 10A@600VAC (A600), 5A@600VDC (P600)   |
| <b>Coil:</b>                                      |                                       |
| Voltage   | 110–120/220–240VAC 60Hz Coil          |
| Sealed watts                                      | 8.6W                                  |
| Inrush / sealed power                             | 218 / 25 VA                           |
| Normal coil operating limits (% of rated voltage) | 85% - 110%                            |
| Typical drop-out volts (% of rated voltage)       | 50%                                   |
| Pick-up time / Drop-out time                      | 19-29 / 10-24 msec                    |
| <b>Enclosure:</b>                                 |                                       |
| Type  | NEMA Type 12 enclosure                |
| Rating  | Dust tight and drip proof for indoors |
| <b>Mounting/wiring:</b>                           |                                       |
| Mounting orientation                              | Vertical                              |
| Mounting type                                     | Surface                               |
| Line side connection type / torque                | Screw / 35 lb-in.                     |
| Line side solid & stranded conductors             | 1x(14 - 2 AWG) 75°C AL or CU          |
| Load side connection type / torque                | Screw / 35 lb-in.                     |
| Load side solid & stranded conductors             | 1x(14 - 2 AWG) 75°C AL or CU          |

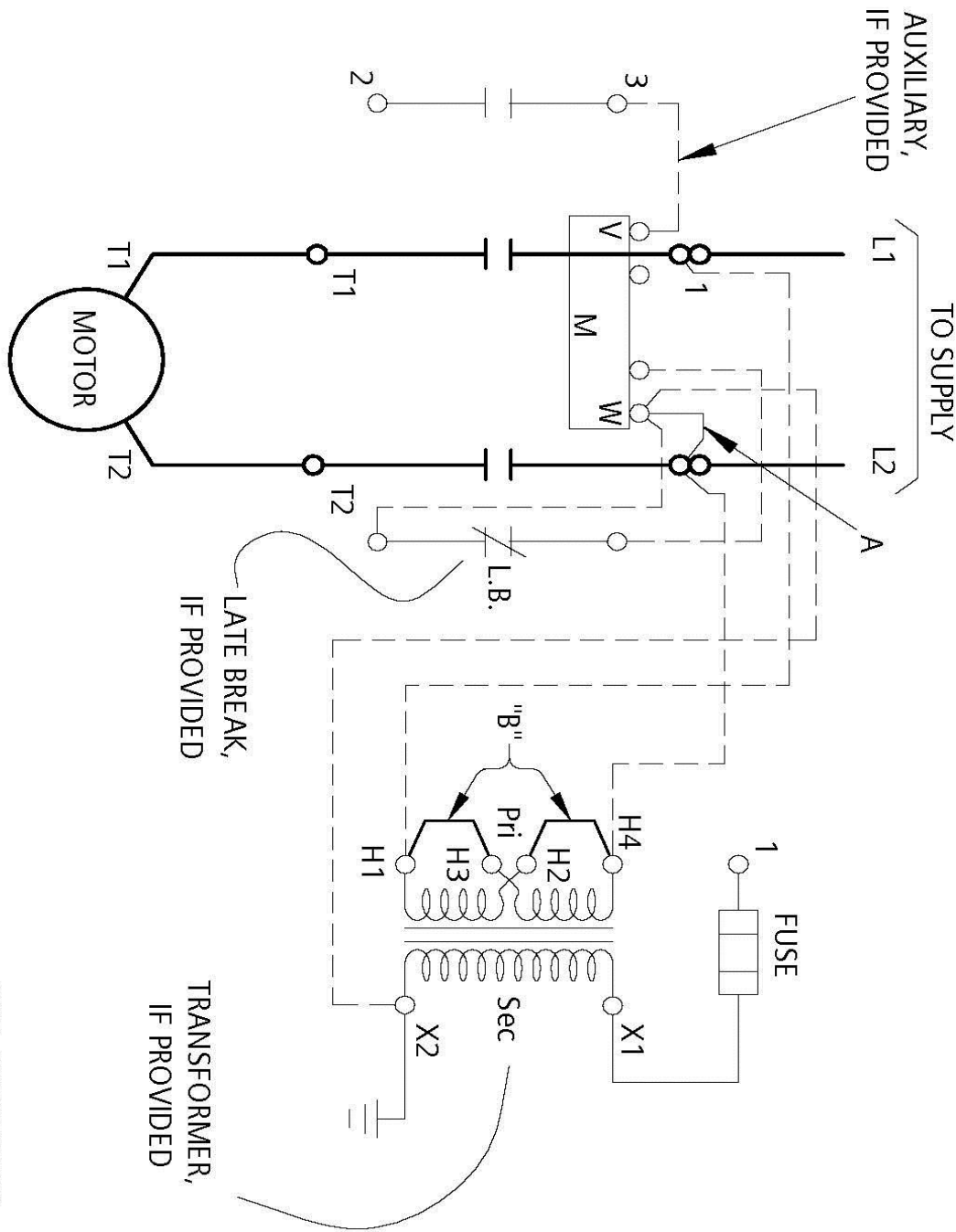
|  |  |
|--|--|
| Coil connection type / torque                      | Screw / 5 lb in. - 12 lb in.                               |
| Coil solid & stranded conductors                   | 2 x (16 - 12 AWG) CU 60/75°C                               |
| Main auxiliary contact connection type / torque    | Screw / 10 - 15 lb-in                                      |
| Main auxiliary contact solid & stranded conductors | 1 x (12 AWG), 2 x (16 - 14 AWG), 2 x (18 - 16 AWG) 75°C CU |
| <b>Short circuit current rating:</b>               |  |
| Fuses  | 10kA@600V (Class H or K); 100kA@600V (Class R or J)        |
| Thermal Magnetic Circuit Breaker                   | 14kA@240V; 10kA@600V                                       |
| <b>Certificates/approvals:</b>                     |  |
|  | <a href="#">UL (file no. E14900)</a>                       |
|  | <a href="#">cUL (file no. E14900 for Canada)</a>           |
|  | <a href="#">CSA (file no. 006535 C 000)</a>                |
|  | <a href="#">ISO 9001 certification</a>                     |
| <b>Additional information:</b>                     |  |
|  | <a href="#">Brochure</a>                                   |

# OUTLINE 13X8X5 NEMA 12/3/3R



DIMENSIONS ARE IN INCHES.  
FILE NAME: SFTS-D41547001-0211

# WIRING DIAGRAM



REF. D29277001