

22MM PLASTIC ROUND COMPLETE UNIT COMBINATION:
 INDICATOR LIGHT WITH CONCENTRIC RINGS NON-ILLUMINATED WITH LAMP HOLDER BA 9S WITHOUT LAMP
 SCREW TERMINAL WITH HOLDER AMBER !!! Phased-out product
 !!! SIRIUS ACT 3SU1 is successor Preferred successor type is
 >>3SU1001-6AA00-0AA0 +

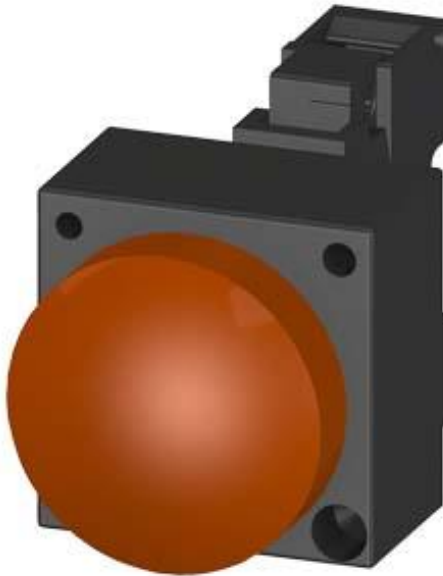


Figure similar

Design of the product	Complete unit round
Enclosure	
Shape of the enclosure front	round
Material of the enclosure	plastic
Number of command points	0
Actuator	
Design of the operating mechanism	indicator light
Product extension optional Light source	Yes
Color	
• of the actuating element	amber
Material of the actuating element	plastic
Shape of the actuating element	Concentric rings
Number of switching positions	0
Front ring	
Product component front ring	No
Holder	

Material of the holder	Plastic
Contact block/ lampholder	
Mounting type	BA 9s without lamp
Number of lampholders	1
Number of switching elements	0
General technical data	
Product function	
• positive opening	No
• EMERGENCY STOP function	No
Product component	
• Light source	No
Protection class IP	IP66
Vibration resistance	
• acc. to IEC 60068-2-6	20 ... 200 Hz: 5g
Reference code acc. to DIN 40719 extended according to IEC 204-2 acc. to IEC 750	H
Reference code acc. to DIN EN 81346-2	P
Reference code acc. to DIN EN 61346-2	P
Auxiliary circuit	
Number of NC contacts for auxiliary contacts	0
Number of NO contacts for auxiliary contacts	0
Number of CO contacts	
• for auxiliary contacts	0
Connections/ Terminals	
Type of electrical connection	screw-type terminals
Tightening torque of the screws in the bracket	1 ... 1.2 N·m
Ambient conditions	
Ambient temperature	
• during operation	-25 ... +60 °C
• during storage	-40 ... +80 °C
Environmental category during operation acc. to IEC 60721	3K6
Installation/ mounting/ dimensions	
Mounting type	front mounting
Shape of the installation opening	round
Mounting diameter	22 mm
Mounting height	11 mm
Installation width	28 mm
Installation depth	49 mm
Accessories	

Product component holder for 3 switching elements

No

Certificates/ approvals

General Product Approval



CCC



CSA



UL



EG-Konf.

[Miscellaneous](#)

Marine / Shipping



ABS



LRS



PRS



RINA



DNV-GL
DNVGL.COM/AF

other

[Miscellaneous](#)

other

[Confirmation](#)

Railway

[Special Test Certificate](#)

Further information

Information- and Downloadcenter (Catalogs, Brochures,...)

<https://www.siemens.com/ic10>

Industry Mall (Online ordering system)

<https://mall.industry.siemens.com/mall/en/en/Catalog/product?mlfb=3SB3204-6BA00>

Cax online generator

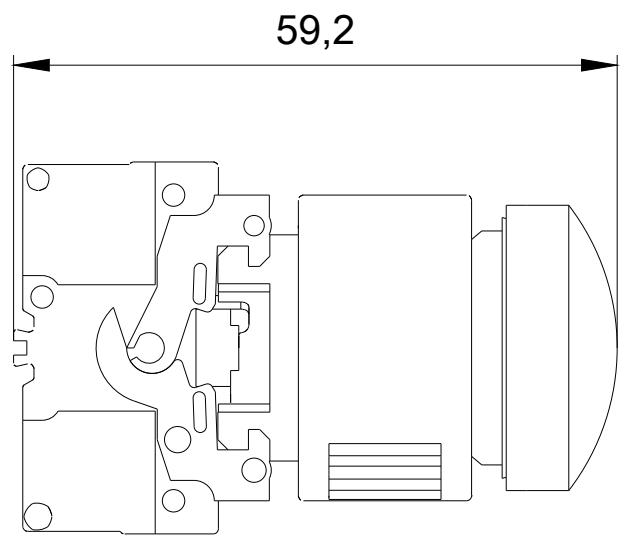
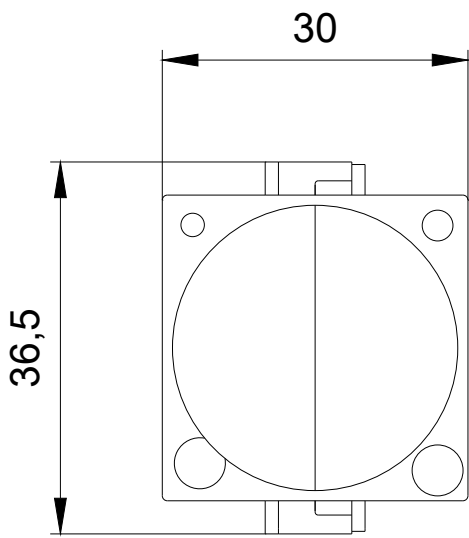
<http://support.automation.siemens.com/WW/CAXorder/default.aspx?lang=en&mlfb=3SB3204-6BA00>

Service&Support (Manuals, Certificates, Characteristics, FAQs,...)

<https://support.industry.siemens.com/cs/ww/en/ps/3SB3204-6BA00>

Image database (product images, 2D dimension drawings, 3D models, device circuit diagrams, EPLAN macros, ...)

http://www.automation.siemens.com/bilddb/cax_de.aspx?mlfb=3SB3204-6BA00&lang=en



W9.4444;
W7.5833; 3SB3

last modified:

02/24/2020