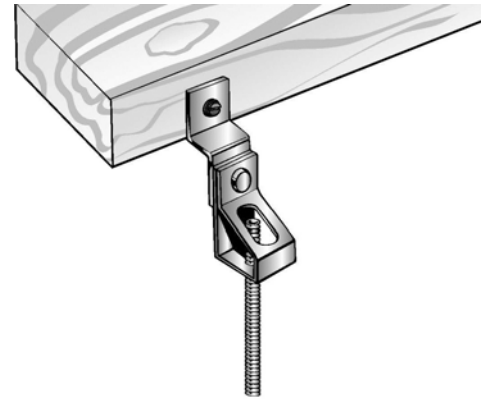
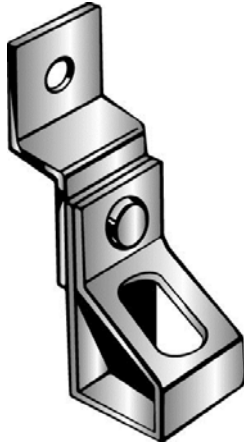


Part Number: P6TIO

Product Description: ROD HANGER FOR 3/8" THREADED ROD (THREADED HOLE) WITH OFFSET BRACKET



### Material Specifications

Type: Assembly

Finish: Assembly

Color: Various

### Function Specifications

#### Compatible Wires and Cables

AC/MC CABLE (OD):  
Drop Wire:  
Plain Rod (in):

#### Threaded Rods and Bolts

Tapped Holes: 3/8-16  
Clearance Holes (in): 1/4 Offset Bracket  
Threaded Rod Size (in): 3/8

#### Compatible Conduit

EMT Size (in):  
Rigid/IMC (in):

#### Compatible Flanges and Studs

Flange Size (in):  
Metal Stud Size (ins):

#### Static Load Rating

Vertical (lbs): 160  
Horizontal (lbs):

#### Other

### Codes and Regulatory

Regulatory Certifications: -

Country of Origin: US

### Packaging

General Packaging: Cardboard Box  
Box Size: 8.25 X 6.25 X 6

Pieces per Package: 100  
Other Box Features:

### Document Information

Created By: DBLA  
Checked By: DJW  
Approved By: KLN

Customer Specification #: C11306  
Revision Level: 01  
ECN #: GAECN01482  
Date: 12/10/2013