

Raceway
Metal Raceway
HBL750 Series Transition Fitting

HUBBELL

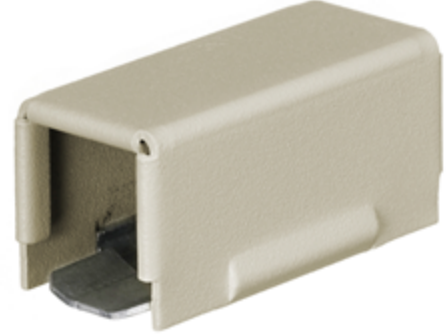
Features

- For transitioning from Wiremold® V700 to Hubbell HBL750 Raceway.

Ordering Information

Description	Material	UPC Number	Catalog Number
Transition Fitting	Steel	783585218595	HBL750TFIV

Color
Ivory

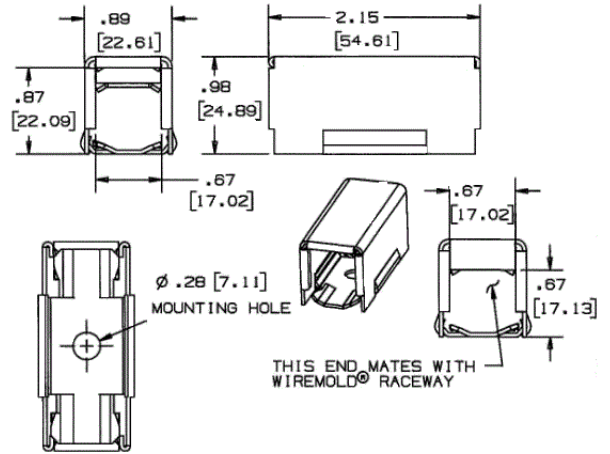


Listings

UL Listed
CSA Certified

Specifications

Height	0.98"
Width	0.89"
Length	2.15"



Online Resources

Customer Use Drawing
eCatalog
Installation Instructions

Dimensions in Inches (mm)

Hubbell Wiring Device-Kellems • Hubbell Incorporated (Delaware) • 40 Waterview Drive • Shelton, CT 06484

Phone (800) 288-6000 • Fax (800) 255-1031 • Specifications subject to change without notice.

