

Power contactor, AC-3 185 A, 90 kW / 400 V AC (50-60 Hz) / DC operation 96-127 V UC Auxiliary contacts 2 NO + 2 NC 3-pole, Size S6 Busbar connections Drive: electronic with PLC interface 24 V DC Spring-type terminal



Product brand name	SIRIUS
Product designation	Power contactor
Product type designation	3RT1

General technical data	
Size of contactor	S6
Product extension	
<ul style="list-style-type: none"> function module for communication 	No
<ul style="list-style-type: none"> Auxiliary switch 	Yes
Power loss [W] for rated value of the current	
<ul style="list-style-type: none"> at AC in hot operating state 	39 W
<ul style="list-style-type: none"> at AC in hot operating state per pole 	13 W
Power loss [W] for rated value of the current without load current share typical	2.8 W
Surge voltage resistance	
<ul style="list-style-type: none"> of main circuit rated value 	8 kV
<ul style="list-style-type: none"> of auxiliary circuit rated value 	6 kV
maximum permissible voltage for safe isolation	
<ul style="list-style-type: none"> between coil and main contacts acc. to EN 60947-1 	690 V

Protection class IP	IP00; IP20 on the front with cover / box terminal IP00
<ul style="list-style-type: none"> • on the front • of the terminal 	
Shock resistance at rectangular impulse	8,5g / 5 ms, 4,2g / 10 ms
<ul style="list-style-type: none"> • at AC • at DC 	8,5g / 5 ms, 4,2g / 10 ms
Shock resistance with sine pulse	13,4g / 5 ms, 6,5g / 10 ms
<ul style="list-style-type: none"> • at AC • at DC 	13,4g / 5 ms, 6,5g / 10 ms
Mechanical service life (switching cycles)	
<ul style="list-style-type: none"> • of contactor typical 	10 000 000
<ul style="list-style-type: none"> • of the contactor with added electronics-compatible auxiliary switch block typical 	5 000 000
<ul style="list-style-type: none"> • of the contactor with added auxiliary switch block typical 	10 000 000
Reference code acc. to DIN 40719 extended according to IEC 204-2 acc. to IEC 750	K
Reference code acc. to DIN EN 81346-2	Q

Ambient conditions

Installation altitude at height above sea level	2 000 m
<ul style="list-style-type: none"> • maximum 	
Ambient temperature	-25 ... +60 °C
<ul style="list-style-type: none"> • during operation • during storage 	-55 ... +80 °C

Main circuit

Number of poles for main current circuit	3
Number of NO contacts for main contacts	3
Operating voltage	1 000 V
<ul style="list-style-type: none"> • at AC-3 rated value maximum 	
Operating current	
<ul style="list-style-type: none"> • at AC-1 at 400 V <ul style="list-style-type: none"> — at ambient temperature 40 °C rated value 	215 A
<ul style="list-style-type: none"> • at AC-1 <ul style="list-style-type: none"> — up to 690 V at ambient temperature 40 °C rated value 	215 A
<ul style="list-style-type: none"> — up to 690 V at ambient temperature 60 °C rated value 	185 A
<ul style="list-style-type: none"> — up to 1000 V at ambient temperature 40 °C rated value 	100 A
<ul style="list-style-type: none"> — up to 1000 V at ambient temperature 60 °C rated value 	100 A
<ul style="list-style-type: none"> • at AC-2 at 400 V rated value 	185 A

<ul style="list-style-type: none"> • at AC-3 <ul style="list-style-type: none"> — at 400 V rated value — at 500 V rated value — at 690 V rated value — at 1000 V rated value • at AC-4 at 400 V rated value • at AC-5a up to 690 V rated value • at AC-5b up to 400 V rated value • at AC-6a <ul style="list-style-type: none"> — up to 230 V for current peak value n=20 rated value — up to 400 V for current peak value n=20 rated value — up to 500 V for current peak value n=20 rated value — up to 690 V for current peak value n=20 rated value — up to 1000 V for current peak value n=20 rated value • at AC-6a <ul style="list-style-type: none"> — up to 230 V for current peak value n=30 rated value — up to 400 V for current peak value n=30 rated value — up to 500 V for current peak value n=30 rated value — up to 690 V for current peak value n=30 rated value — up to 1000 V for current peak value n=30 rated value 	<p>185 A</p> <p>185 A</p> <p>170 A</p> <p>65 A</p> <p>160 A</p> <p>189 A</p> <p>153 A</p> <p>148 A</p> <p>148 A</p> <p>148 A</p> <p>148 A</p> <p>68 A</p> <p>99 A</p> <p>99 A</p> <p>99 A</p> <p>99 A</p> <p>68 A</p>
Minimum cross-section in main circuit	
<ul style="list-style-type: none"> • at maximum AC-1 rated value 	95 mm ²
Operating current for approx. 200000 operating cycles at AC-4	
<ul style="list-style-type: none"> • at 400 V rated value • at 690 V rated value 	<p>81 A</p> <p>65 A</p>
Operating current	
<ul style="list-style-type: none"> • at 1 current path at DC-1 <ul style="list-style-type: none"> — at 24 V rated value — at 110 V rated value — at 220 V rated value — at 440 V rated value — at 600 V rated value 	<p>160 A</p> <p>18 A</p> <p>3.4 A</p> <p>0.8 A</p> <p>0.5 A</p>

<ul style="list-style-type: none"> • with 2 current paths in series at DC-1 <ul style="list-style-type: none"> — at 24 V rated value — at 110 V rated value — at 220 V rated value — at 440 V rated value — at 600 V rated value • with 3 current paths in series at DC-1 <ul style="list-style-type: none"> — at 24 V rated value — at 110 V rated value — at 220 V rated value — at 440 V rated value — at 600 V rated value 	160 A 160 A 20 A 3.2 A 1.6 A 160 A 160 A 160 A 11.5 A 4 A
Operating current	
<ul style="list-style-type: none"> • at 1 current path at DC-3 at DC-5 <ul style="list-style-type: none"> — at 24 V rated value — at 110 V rated value — at 220 V rated value — at 440 V rated value — at 600 V rated value • with 2 current paths in series at DC-3 at DC-5 <ul style="list-style-type: none"> — at 24 V rated value — at 110 V rated value — at 220 V rated value — at 440 V rated value — at 600 V rated value • with 3 current paths in series at DC-3 at DC-5 <ul style="list-style-type: none"> — at 24 V rated value — at 110 V rated value — at 220 V rated value — at 440 V rated value — at 600 V rated value 	160 A 2.5 A 0.6 A 0.17 A 0.12 A 160 A 160 A 2.5 A 0.65 A 0.37 A 160 A 160 A 160 A 1.4 A 0.75 A
Operating power	
<ul style="list-style-type: none"> • at AC-1 <ul style="list-style-type: none"> — at 230 V at 60 °C rated value — at 400 V rated value — at 400 V at 60 °C rated value — at 690 V rated value — at 690 V at 60 °C rated value — at 1000 V at 60 °C rated value • at AC-2 at 400 V rated value • at AC-3 	70 kW 121 kW 121 kW 210 kW 210 kW 165 kW 90 kW

— at 230 V rated value	55 kW
— at 400 V rated value	90 kW
— at 500 V rated value	132 kW
— at 690 V rated value	160 kW
— at 1000 V rated value	90 kW
Operating power for approx. 200000 operating cycles at AC-4	
• at 400 V rated value	45 kW
• at 690 V rated value	65 kW
Operating apparent output at AC-6a	
• up to 230 V for current peak value n=20 rated value	58 000 V·A
• up to 400 V for current peak value n=20 rated value	102 000 V·A
• up to 500 V for current peak value n=20 rated value	128 000 V·A
• up to 690 V for current peak value n=20 rated value	176 000 V·A
• up to 1000 V for current peak value n=20 rated value	117 000 V·A
Operating apparent output at AC-6a	
• up to 230 V for current peak value n=30 rated value	39 000 V·A
• up to 400 V for current peak value n=30 rated value	68 000 V·A
• up to 500 V for current peak value n=30 rated value	85 000 V·A
• up to 690 V for current peak value n=30 rated value	118 000 V·A
• up to 1000 V for current peak value n=30 rated value	117 000 V·A
Short-time withstand current in cold operating state up to 40 °C	
• limited to 1 s switching at zero current maximum	2 900 A; Use minimum cross-section acc. to AC-1 rated value
• limited to 5 s switching at zero current maximum	2 084 A; Use minimum cross-section acc. to AC-1 rated value
• limited to 10 s switching at zero current maximum	1 480 A; Use minimum cross-section acc. to AC-1 rated value
• limited to 30 s switching at zero current maximum	968 A; Use minimum cross-section acc. to AC-1 rated value
• limited to 60 s switching at zero current maximum	801 A; Use minimum cross-section acc. to AC-1 rated value
No-load switching frequency	
• at AC	1 000 1/h

<ul style="list-style-type: none"> • at DC 	1 000 1/h
Operating frequency	
<ul style="list-style-type: none"> • at AC-1 maximum 	800 1/h
<ul style="list-style-type: none"> • at AC-2 maximum 	300 1/h
<ul style="list-style-type: none"> • at AC-3 maximum 	750 1/h
<ul style="list-style-type: none"> • at AC-4 maximum 	130 1/h
Control circuit/ Control	
Type of voltage of the control supply voltage	AC/DC
Control supply voltage at AC	
<ul style="list-style-type: none"> • at 50 Hz rated value 	96 ... 127 V
<ul style="list-style-type: none"> • at 60 Hz rated value 	96 ... 127 V
Control supply voltage at DC	
<ul style="list-style-type: none"> • rated value 	96 ... 127 V
Type of PLC-control input acc. to IEC 60947-1	Type 2
Consumed current at PLC-control input acc. to IEC 60947-1 maximum	20 mA
Voltage at PLC-control input rated value	24 V
Operating range factor of the voltage at PLC-control input	0.8 ... 1.1
Operating range factor control supply voltage rated value of magnet coil at DC	
<ul style="list-style-type: none"> • initial value 	0.8
<ul style="list-style-type: none"> • Full-scale value 	1.1
Operating range factor control supply voltage rated value of magnet coil at AC	
<ul style="list-style-type: none"> • at 50 Hz 	0.8 ... 1.1
<ul style="list-style-type: none"> • at 60 Hz 	0.8 ... 1.1
Design of the surge suppressor	with varistor
Apparent pick-up power of magnet coil at AC	
<ul style="list-style-type: none"> • at 50 Hz 	280 V·A
Inductive power factor with closing power of the coil	
<ul style="list-style-type: none"> • at 50 Hz 	0.8
Apparent holding power of magnet coil at AC	
<ul style="list-style-type: none"> • at 50 Hz 	4.4 V·A
Inductive power factor with the holding power of the coil	
<ul style="list-style-type: none"> • at 50 Hz 	0.5
Closing power of magnet coil at DC	320 W
Holding power of magnet coil at DC	2.8 W
Closing delay	
<ul style="list-style-type: none"> • at AC 	35 ... 75 ms
<ul style="list-style-type: none"> • at DC 	35 ... 75 ms
Opening delay	

<ul style="list-style-type: none"> • at AC 	80 ... 90 ms
<ul style="list-style-type: none"> • at DC 	80 ... 90 ms
Arcing time	10 ... 15 ms
Control version of the switch operating mechanism	PLC-IN or Standard A1 - A2 (adjustable)

Auxiliary circuit

Number of NC contacts for auxiliary contacts	
<ul style="list-style-type: none"> • instantaneous contact 	2
Number of NO contacts for auxiliary contacts	
<ul style="list-style-type: none"> • instantaneous contact 	2
Operating current at AC-12 maximum	10 A
Operating current at AC-15	
<ul style="list-style-type: none"> • at 230 V rated value • at 400 V rated value • at 500 V rated value • at 690 V rated value 	6 A 3 A 2 A 1 A
Operating current at DC-12	
<ul style="list-style-type: none"> • at 24 V rated value • at 48 V rated value • at 60 V rated value • at 110 V rated value • at 125 V rated value • at 220 V rated value • at 600 V rated value 	10 A 6 A 6 A 3 A 2 A 1 A 0.15 A
Operating current at DC-13	
<ul style="list-style-type: none"> • at 24 V rated value • at 48 V rated value • at 60 V rated value • at 110 V rated value • at 125 V rated value • at 220 V rated value • at 600 V rated value 	10 A 2 A 2 A 1 A 0.9 A 0.3 A 0.1 A
Contact reliability of auxiliary contacts	1 faulty switching per 100 million (17 V, 1 mA)

UL/CSA ratings

Full-load current (FLA) for three-phase AC motor	
<ul style="list-style-type: none"> • at 480 V rated value • at 600 V rated value 	180 A 192 A
Yielded mechanical performance [hp]	
<ul style="list-style-type: none"> • for single-phase AC motor <ul style="list-style-type: none"> — at 230 V rated value • for three-phase AC motor <ul style="list-style-type: none"> — at 200/208 V rated value 	30 hp 60 hp

— at 220/230 V rated value	75 hp
— at 460/480 V rated value	150 hp
— at 575/600 V rated value	200 hp
Contact rating of auxiliary contacts according to UL	A600 / Q600

Short-circuit protection

Design of the fuse link	
<ul style="list-style-type: none"> • for short-circuit protection of the main circuit <ul style="list-style-type: none"> — with type of coordination 1 required — with type of assignment 2 required • for short-circuit protection of the auxiliary switch required 	gG: 355 A (690 V, 100 kA) gG: 315 A (690 V, 100 kA), aM: 200 A (690 V, 100 kA), BS88: 315 A (415 V, 50 kA) gG: 10 A (500 V, 1 kA)

Installation/ mounting/ dimensions

Mounting position	with vertical mounting surface +/-90° rotatable, with vertical mounting surface +/- 22.5° tiltable to the front and back
Mounting type	screw fixing
<ul style="list-style-type: none"> • Side-by-side mounting 	Yes
Height	172 mm
Width	120 mm
Depth	170 mm
Required spacing	
<ul style="list-style-type: none"> • with side-by-side mounting <ul style="list-style-type: none"> — forwards — upwards — downwards — at the side • for grounded parts <ul style="list-style-type: none"> — forwards — upwards — at the side — downwards • for live parts <ul style="list-style-type: none"> — forwards — upwards — downwards — at the side 	20 mm 10 mm 10 mm 0 mm 20 mm 10 mm 10 mm 10 mm 20 mm 10 mm 10 mm 10 mm

Connections/ Terminals

Width of connection bar	17 mm
Thickness of connection bar	3 mm
Diameter of holes	9 mm
Number of holes	1

Type of electrical connection <ul style="list-style-type: none"> • for main current circuit • for auxiliary and control current circuit • at contactor for auxiliary contacts • of magnet coil 	Connection bar spring-loaded terminals Spring-type terminals Spring-type terminals
Type of connectable conductor cross-sections <ul style="list-style-type: none"> • at AWG conductors for main contacts 	4 ... 250 kcmil
Connectable conductor cross-section for main contacts <ul style="list-style-type: none"> • stranded 	25 ... 120 mm ²
Connectable conductor cross-section for auxiliary contacts <ul style="list-style-type: none"> • single or multi-stranded • finely stranded with core end processing • finely stranded without core end processing 	0.25 ... 2.5 mm ² 0.25 ... 1.5 mm ² 0.25 ... 2.5 mm ²
Type of connectable conductor cross-sections <ul style="list-style-type: none"> • for auxiliary contacts <ul style="list-style-type: none"> — solid — single or multi-stranded — finely stranded with core end processing — finely stranded without core end processing • at AWG conductors for auxiliary contacts 	2x (0.25 ... 2.5 mm ²) 2x (0,25 ... 2,5 mm ²) 2x (0.25 ... 1.5 mm ²) 2x (0.25 ... 2.5 mm ²) 2x (24 ... 14)
AWG number as coded connectable conductor cross section <ul style="list-style-type: none"> • for auxiliary contacts 	24 ... 14
Safety related data	
B10 value <ul style="list-style-type: none"> • with high demand rate acc. to SN 31920 	1 000 000
Product function <ul style="list-style-type: none"> • Mirror contact acc. to IEC 60947-4-1 • positively driven operation acc. to IEC 60947-5-1 	Yes No
Protection against electrical shock	finger-safe when touched vertically from front acc. to IEC 60529
Certificates/ approvals	

General Product Approval	EMC	Functional Safety/Safety of Machinery
--------------------------	-----	---------------------------------------



[Type Examination Certificate](#)

Declaration of Conformity	Test Certificates	Marine / Shipping
---------------------------	-------------------	-------------------



[Miscellaneous](#)

[Special Test Certificate](#)

[Type Test Certificates/Test Report](#)



Marine / Shipping	other	Railway
-------------------	-------	---------



[Confirmation](#)

[Miscellaneous](#)

[Special Test Certificate](#)

Further information

Information- and Downloadcenter (Catalogs, Brochures,...)

<https://www.siemens.com/ic10>

Industry Mall (Online ordering system)

<https://mall.industry.siemens.com/mall/en/en/Catalog/product?mlfb=3RT1056-2NF36>

Cax online generator

<http://support.automation.siemens.com/WW/CAXorder/default.aspx?lang=en&mlfb=3RT1056-2NF36>

Service&Support (Manuals, Certificates, Characteristics, FAQs,...)

<https://support.industry.siemens.com/cs/ww/en/ps/3RT1056-2NF36>

Image database (product images, 2D dimension drawings, 3D models, device circuit diagrams, EPLAN macros, ...)

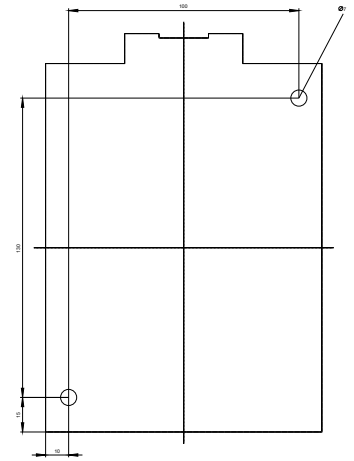
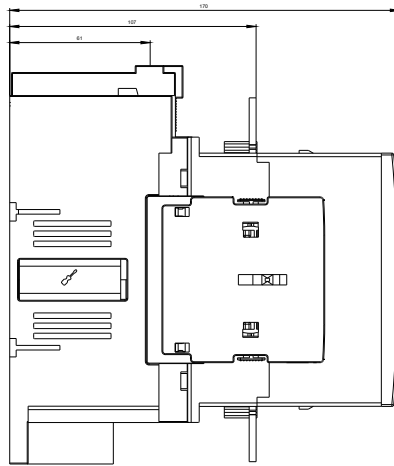
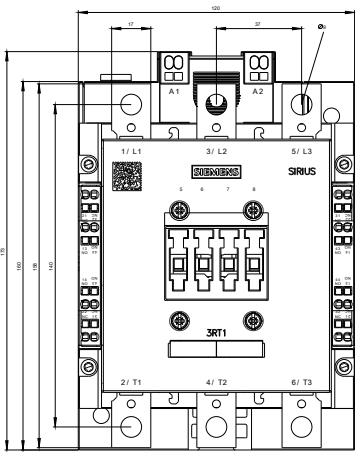
http://www.automation.siemens.com/bilddb/cax_de.aspx?mlfb=3RT1056-2NF36&lang=en

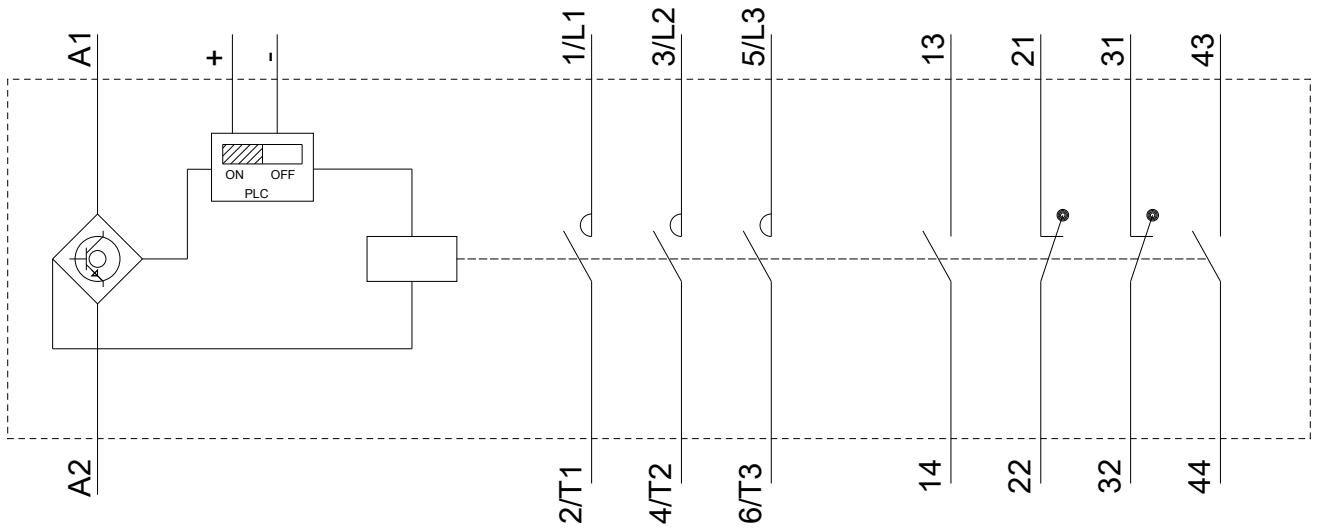
Characteristic: Tripping characteristics, I^t, Let-through current

<https://support.industry.siemens.com/cs/ww/en/ps/3RT1056-2NF36/char>

Further characteristics (e.g. electrical endurance, switching frequency)

<http://www.automation.siemens.com/bilddb/index.aspx?view=Search&mlfb=3RT1056-2NF36&objecttype=14&gridview=view1>





last modified:

03/10/2020