



Climax Metal Products Company

8141 Tyler Boulevard
Mentor, Ohio 44060
USA

Toll free: 800-542-6552

Phone: 440-585-0300

Fax: 800-860-5553

Email: sales@climaxmetal.com

Website: www.climaxmetal.com

ITEM # 2C-050-S, TWO-PIECE, CLAMPING COLLAR- 2C-SERIES

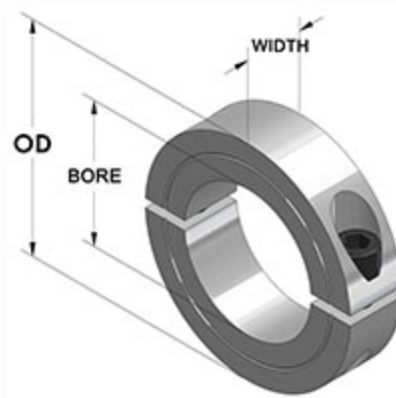
Stainless Steel Two-Piece Clamping Collar. Design fully engages the shaft without marring. Easily installed where major disassembly would otherwise be required. Greater axial holding power than set screw or one-piece clamping collars. Effective on hard & soft shafts.



[Drawing](#) | [Specifications](#) | [Regulation & Compliance](#)

Drawing

Dimensional Drawing



Two-Piece Clamping Collar

Need Help?

Specifications

| | |
|---------------------------|---|
| Bore | 1/2 in |
| OD | 1 1/8 in |
| Width | 13/32 in |
| Style | Two-Piece Clamp |
| Material | Stainless Steel, ASTM A582 |
| Finish | Plain |
| Clamp Screw | Hex Socket Cap Screw, 3A Thread, Stainless Steel, ASTM F837: 8-32 x 1/2 |
| Recessed Screw | No |
| Approximate Weight | 1.26 oz |
| UPC Code | 044861222140 |
| Downloads | Catalog Page |

Regulation & Compliance

[REACH Compliance Statement](#)

[RoHS 3 Compliance Statement](#)

[Disclosure of Conflict Minerals and Materials](#)

[California Proposition 65 Warning](#)

[Toxic Substances Control Act TSCA](#)

[DFARS Compliance Statement](#)

[Safety Data Sheet](#)

[ISO Certificate](#)

