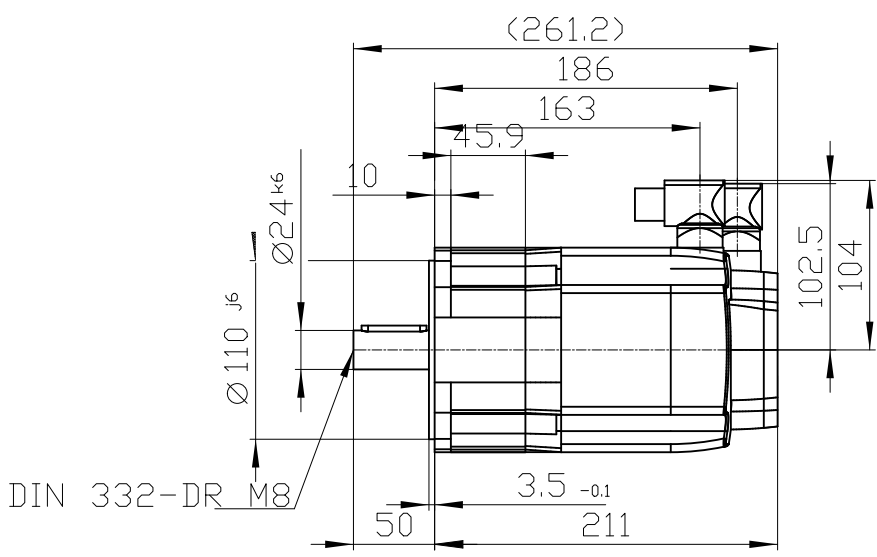
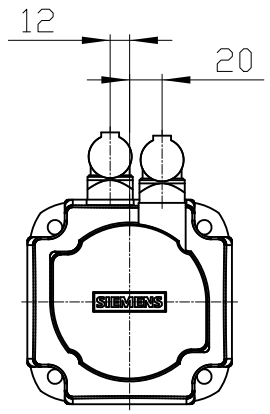
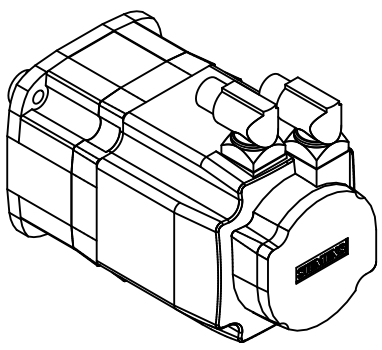


Copyright © Siemens AG 2005  
 Code-drawing do not make any manual changes

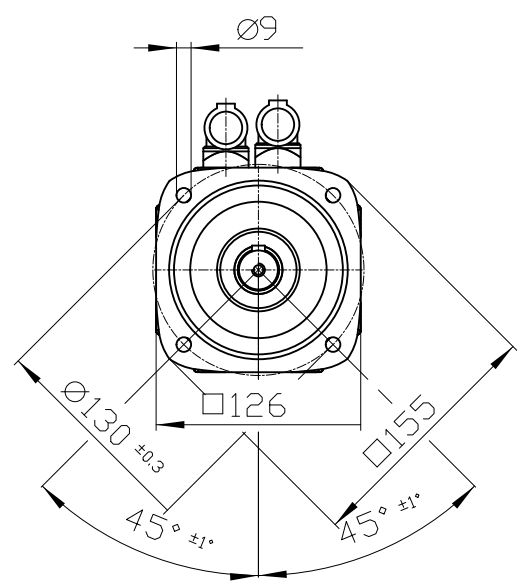
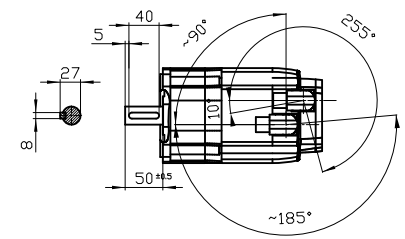
The reproduction or use of this document or its contents is not permitted without express written authority. Diffenders will be liable for damages. All rights, including rights created by patent grant or registration of a utility model or design, are reserved.

Weitergabe sowie Vervielfältigung dieser Unterlage, Vervielfältigung und Mitteilung ihres Inhalts nicht gestattet, soweit nicht ausdrücklich zugestanden. Zuwiderhandlungen verpflichten zu Schadenersatz. Alle Rechte vorbehalten, insbesondere fuer den Fall der Patenterteilung oder Gk-Entragung.

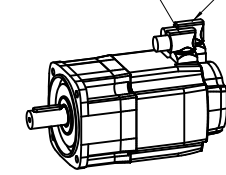
Siemens reserves all rights reserved. No reproduction or disclosure of this document or its contents is permitted without express written authority. Siemens reserves all rights reserved. No reproduction or disclosure of this document or its contents is permitted without express written authority.



DIN 332-DR M8



Connector size 1 = M23; 6-pole for power and brake  
 Connector size M23, 12-pole



		-
Unit	mm (in)	1FK7062-2AC71-1SB0
Date	2/5/20	
SIEMENS AG		-
		DT