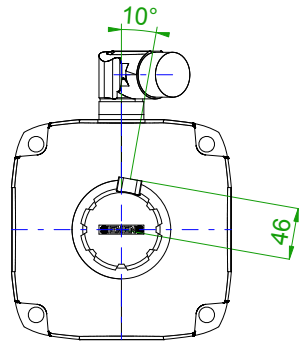
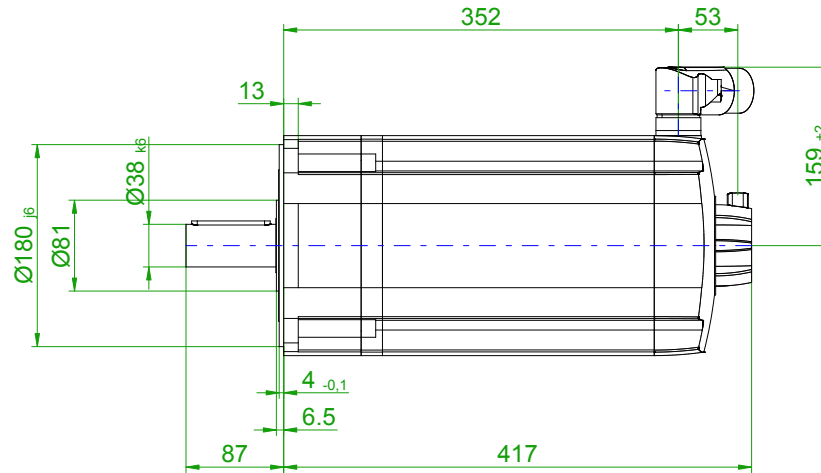
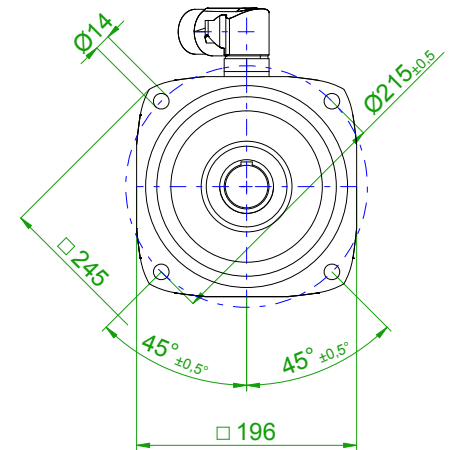


back view



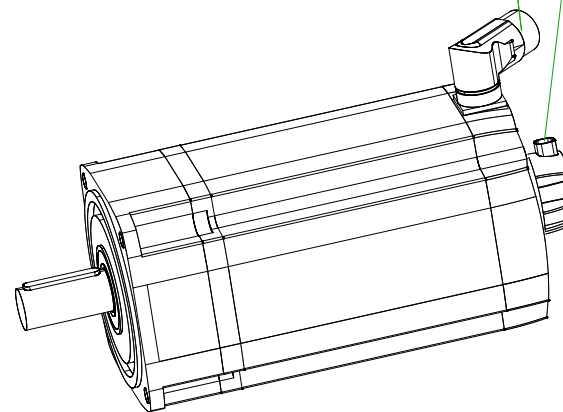
front view

center hole
DIN 332-DR M12

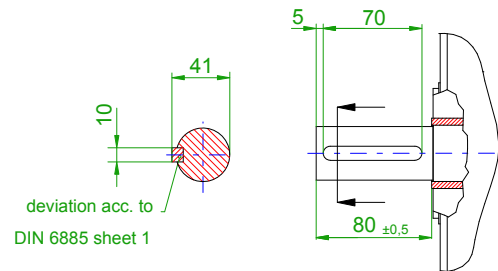


6-pole plug size 1.5
for power and brake

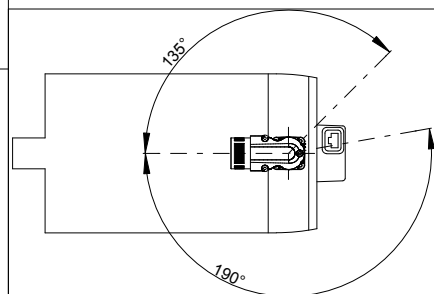
10-pole
signal plug

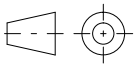


version with featherkey



deviation acc. to
DIN 6885 sheet 1



		SIEMENS	
Einheit / unit: mm		Synchron-Servomotor Synchronous Servo Motor:	1FT7108-5AB70-1BB0
nicht tolerierte Maße / not toleranced dimensions: ±1		Optionen / options:	
Maßstab / scale: ohne / without		Gewicht / mass:	65.1 kg
CAD CREATOR 2.2 (WWW-Version V02.20.00.00)		Bemerkung / notice:	
		Druckdatum / print date:	29.11.2018