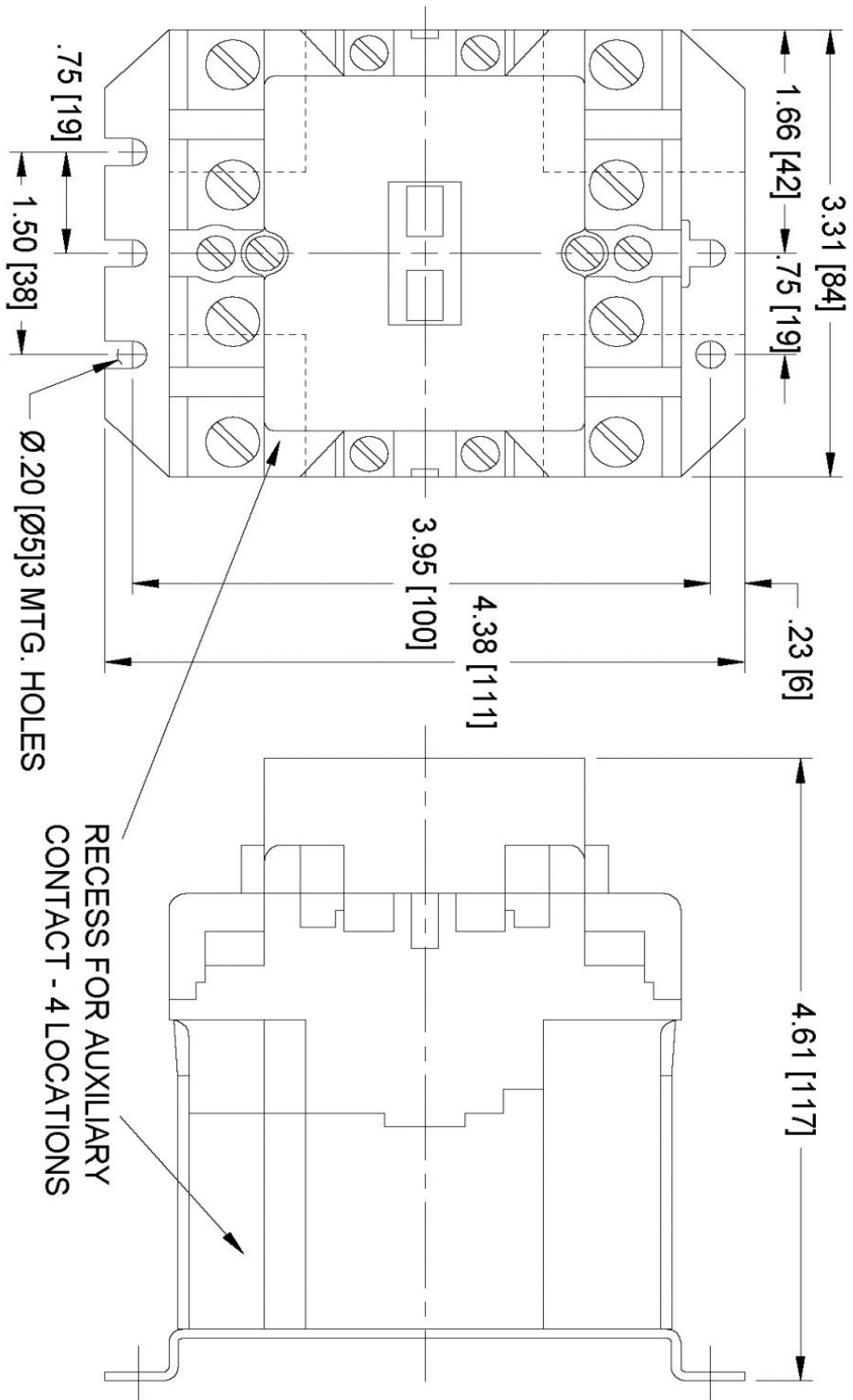


Enclosure:	
Type	Open device (no enclosure)
Rating	NA
Mounting/wiring:	
Mounting orientation	Vertical
Mounting type	Surface
Line side connection type / torque	Screw / 18 - 20 lb-in.
Line side solid & stranded conductors	2 x (14 - 8 AWG) 75°C CU
Load side connection type / torque	Screw / 18 - 20 lb-in.
Load side solid & stranded conductors	2 x (14 - 8 AWG) 75°C CU
Coil connection type / torque	Screw / 8 - 12 lb in.
Coil solid & stranded conductors	2 x (16 - 12 AWG) CU 75°C
Main auxiliary contact connection type / torque	NA
Main auxiliary contact solid & stranded conductors	NA
Short circuit current rating:	
Fuses	none
Thermal magnetic circuit breaker	5kA@600V (30A max CB)
Additional information:	
	Brochure

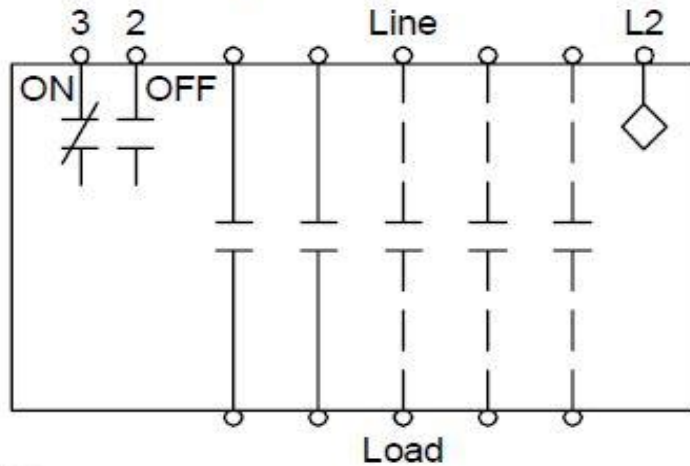
CLM, 30A, 4 POLE



Dimensions in inches [mm]

Ref. D38319

Wiring Diagram Class CLM 30-200 Amp 2, 3, 4 and 5 Pole



Notes:

1. Dotted lines represent additional poles. Contactor may have 2, 3, 4 or 5 poles.
2. Optional auxiliary contacts are not shown.