

## PROLINE CONNECTEK COMMUNICATIONS (PATCH) CABINET



- Cable managers included with 700-mm wide cabinet: Front - PVF207; Rear - PRBTD205
- Cable managers included with 800-mm wide cabinet: Front - PVF208; Rear - PRBTD2010
- Models without sides fit together quickly for easy installation in ganged applications; can be ganged with server cabinets or with additional Hoffman patch cabinets
- Three-point locking pushbutton swing handle on front door provides easy but controlled access. Two keys included.
- Rear doors are split for easy access and include 3-point, low-profile, locking swing handle
- Two sets of tapped 19-in. rack angles support both front and rear of equipment
- Rack angles are infinitely adjustable from front to rear for positioning flexibility
- Large gland plate in top allows easy routing of cable, pre-terminated cables and patch panels
- Twenty 10-32 screws are included

### APPLICATION

The PROLINE CONNECTEK Network Communication/Patch Cabinets feature two vertical cable managers in the front of the cabinet and two rear cable managers for maximum cable routing and support. Cabinets are available in two widths to accommodate high-density cables, patch cords and networking equipment.

### FEATURES

- Rigid front door made of aluminum extrusions and formed perforated steel offers highly attractive appearance and durability
- Fully perforated top, front door and rear doors allow maximum air movement around cables, patch panels and other network equipment; conforms to server manufacturer open space requirements
- Includes front cable manager with covers and rear open cable managers to support and route cable. See Cable/Power Management for cable manager specifications.

### SPECIFICATIONS

- 16 or 14 gauge steel doors, sides and cover
- Welded 12 gauge steel frame
- Rack angles have tapped holes with EIA 310-D spacing
- Open bottom with integral bolt-down brackets

### FINISH

Pretreated steel coated with RAL 9005 black textured, low gloss polyester powder paint. Other finishes available - contact Hoffman Customer Service.

### LOAD RATING

**Static Load Rating: 2500 lb. (1134 kg)**

A cabinet has a static load when:

- it is in its final, permanent, fully secured location, and
- its load is uniformly applied to the two sets of rack-mounting angles

**Never move a cabinet with its maximum static load applied.**

Contact Hoffman if further information is needed.

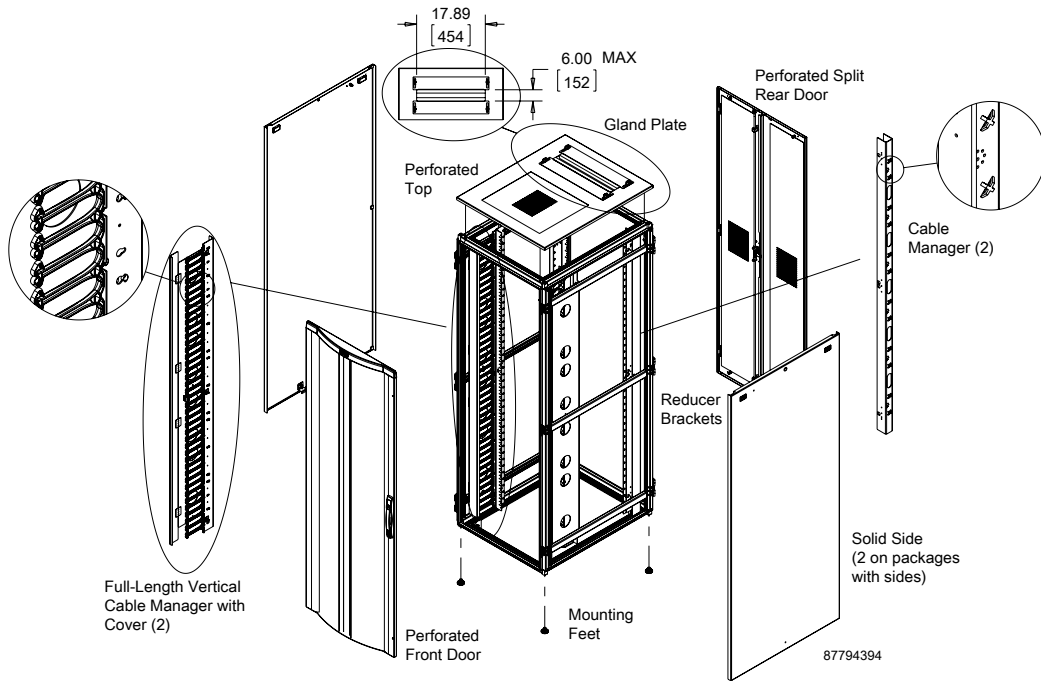
### BULLETIN: DPVD

### Standard Product

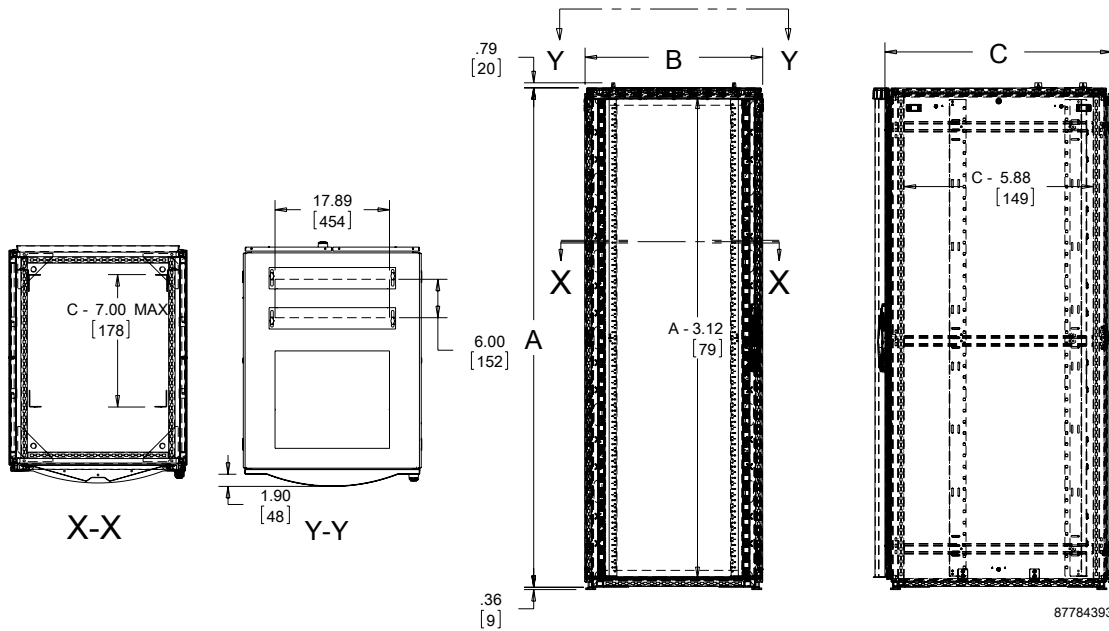
Catalog Number	AxBxC mm	AxBxC in.	Sides	Rack Units	Additional Tapped Hole Rack Angle	Additional Square Hole Rack Angle
PNC2079B	1991 x 708 x 899	78.37 x 27.85 x 35.40	With sides	42	PRA1920TPL1	PRA1920THL1
PNC2079BNS	1991 x 699 x 899	78.37 x 27.52 x 35.40	Without sides	42	PRA1920TPL1	PRA1920THL1
PNC20710B	1991 x 708 x 999	78.37 x 27.85 x 39.34	With sides	42	PRA1920TPL1	PRA1920THL1
PNC20710BNS	1991 x 699 x 999	78.37 x 27.52 x 39.34	Without sides	42	PRA1920TPL1	PRA1920THL1
PNC20711B	1991 x 708 x 1099	78.37 x 27.85 x 43.28	With sides	42	PRA1920TPL1	PRA1920THL1
PNC20711BNS	1991 x 699 x 1099	78.37 x 27.52 x 43.28	Without sides	42	PRA1920TPL1	PRA1920THL1
PNC20712B	1991 x 708 x 1199	78.37 x 27.85 x 47.22	With sides	42	PRA1920TPL1	PRA1920THL1
PNC20712BNS	1991 x 699 x 1199	78.37 x 27.52 x 47.22	Without sides	42	PRA1920TPL1	PRA1920THL1
PNC2089B	1991 x 808 x 899	78.37 x 31.80 x 34.40	With sides	42	PRA1920TPL1	PRA1920THL1
PNC2089BNS	1991 x 799 x 899	78.37 x 31.46 x 35.40	Without sides	42	PRA1920TPL1	PRA1920THL1
PNC20810B	1991 x 808 x 999	78.37 x 31.80 x 39.34	With sides	42	PRA1920TPL1	PRA1920THL1
PNC20810BNS	1991 x 799 x 999	78.37 x 31.46 x 39.34	Without sides	42	PRA1920TPL1	PRA1920THL1
PNC20811B	1991 x 808 x 1099	78.37 x 31.80 x 43.28	With sides	42	PRA1920TPL1	PRA1920THL1
PNC20811BNS	1991 x 799 x 1099	78.37 x 31.46 x 43.28	Without sides	42	PRA1920TPL1	PRA1920THL1
PNC20812B	1991 x 808 x 1199	78.37 x 31.80 x 47.22	With sides	42	PRA1920TPL1	PRA1920THL1
PNC20812BNS	1991 x 799 x 1199	78.37 x 31.46 x 47.22	Without sides	42	PRA1920TPL1	PRA1920THL1
PNC2189B	2161 x 806 x 899	85.08 x 31.74 x 35.39	With sides	45	PRA1921TPL1	PRA1921THL1
PNC21810B	2161 x 806 x 999	85.08 x 31.74 x 39.33	With sides	45	PRA1921TPL1	PRA1921THL1
PNC21811B	2161 x 806 x 1099	85.08 x 31.74 x 43.27	With sides	45	PRA1921TPL1	PRA1921THL1
PNC21812B	2161 x 806 x 1199	85.08 x 31.74 x 47.20	With sides	45	PRA1921TPL1	PRA1921THL1
PNC2489B	2411 x 806 x 899	94.92 x 31.74 x 35.39	With sides	51	PRA1924TPL1	PRA1924THL1
PNC24810B	2411 x 806 x 999	94.92 x 31.74 x 39.33	With sides	51	PRA1924TPL1	PRA1924THL1
PNC24811B	2411 x 806 x 1099	94.92 x 31.74 x 43.27	With sides	51	PRA1924TPL1	PRA1924THL1
PNC24812B	2411 x 806 x 1199	94.92 x 31.74 x 47.20	With sides	51	PRA1924TPL1	PRA1924THL1

### Cable Fill Rate for Front Vertical Cable Manager-Each Side @ 60% Fill

Cabinet Width	Cross Section Area	5E (.22-in. Diameter)	6 (.25-in. Diameter)	6A (.30-in. Diameter)
700 mm	17.24 in. <sup>2</sup>	272	210	146
800 mm	34.48 in. <sup>2</sup>	544	421	293



87794394



87784393