

CIRCUIT-BREAKER SIZE S0, FOR MOTOR PROTECTION, CLASS 10, A-REL. 11...16A,N-REL. 208A, SCREW TERMINAL, STANDARD SWITCHING CAPACITY, W. TRANSV. AUX. SWITCH 1NO/1NC



Figure similar

product brandname	SIRIUS
Product designation	circuit breaker
Design of the product	for motor protection

### General technical data

<b>Product extension</b>	
• Auxiliary switch	Yes
<b>Power loss [W] total typical</b>	7 W
<b>Surge voltage resistance rated value</b>	6 000 V
<b>Protection class IP</b>	
• on the front	IP20
<b>Mechanical service life (switching cycles)</b>	
• of the main contacts typical	100 000

### Ambient conditions

<b>Ambient temperature</b>	
• during operation	-20 ... +60 °C
• during storage	-50 ... +80 °C
• during transport	-50 ... +80 °C

Main circuit	
Number of poles for main current circuit	3
Adjustable pick-up value current of the current-dependent overload release	11 ... 16 A
Operating voltage <ul style="list-style-type: none"> <li>• rated value</li> <li>• at AC-3 rated value maximum</li> </ul>	690 V 690 V
Operating current <ul style="list-style-type: none"> <li>• at AC-3 <ul style="list-style-type: none"> <li>— at 400 V rated value</li> </ul> </li> </ul>	16 A
Operating power <ul style="list-style-type: none"> <li>• at AC-3 <ul style="list-style-type: none"> <li>— at 400 V rated value</li> </ul> </li> </ul>	7.5 kW
Operating frequency <ul style="list-style-type: none"> <li>• at AC-3 maximum</li> </ul>	15 1/h
Auxiliary circuit	
Design of the auxiliary switch	transverse
Number of CO contacts <ul style="list-style-type: none"> <li>• for auxiliary contacts</li> </ul>	0
Operating current of auxiliary contacts at AC-15 <ul style="list-style-type: none"> <li>• at 24 V</li> <li>• at 230 V</li> </ul>	2 A 0.5 A
Operating current of auxiliary contacts at DC-13 <ul style="list-style-type: none"> <li>• at 24 V</li> <li>• at 60 V</li> </ul>	1 A 0.15 A
Protective and monitoring functions	
Trip class	CLASS 10
Maximum short-circuit current breaking capacity (I <sub>cu</sub> ) <ul style="list-style-type: none"> <li>• at AC at 240 V rated value</li> <li>• at AC at 400 V rated value</li> <li>• at AC at 500 V rated value</li> <li>• at AC at 690 V rated value</li> </ul>	100 kA 50 kA 10 kA 4 kA
Short-circuit protection	
Design of the overcurrent release and short-circuit release	thermomagnetic
Installation/ mounting/ dimensions	
Mounting position	any
Mounting type	screw and snap-on mounting onto 35 mm standard mounting rail according to DIN EN 50022
Height	97 mm
Width	45 mm

<b>Depth</b>	96 mm
<b>Required spacing</b>	
<ul style="list-style-type: none"> <li>• with side-by-side mounting <ul style="list-style-type: none"> <li>— Backwards</li> <li>— at the side</li> </ul> </li> </ul>	0 mm 0 mm

### Connections/Terminals

<b>Product function</b>	No
<ul style="list-style-type: none"> <li>• removable terminal for auxiliary and control circuit</li> </ul>	
<b>Type of electrical connection</b>	
<ul style="list-style-type: none"> <li>• for main current circuit</li> <li>• for auxiliary and control current circuit</li> </ul>	screw-type terminals screw-type terminals
<b>Arrangement of electrical connectors for main current circuit</b>	front side
<b>Type of connectable conductor cross-sections</b>	
<ul style="list-style-type: none"> <li>• for main contacts <ul style="list-style-type: none"> <li>— solid</li> <li>— stranded</li> <li>— finely stranded with core end processing</li> </ul> </li> <li>• at AWG conductors for main contacts</li> </ul>	2x (1 ... 2.5 mm <sup>2</sup> ), 2x (2.5 ... 6 mm <sup>2</sup> ) 2x (1 ... 2.5 mm <sup>2</sup> ), 2x (2.5 ... 6 mm <sup>2</sup> ) 2x (1 ... 2.5 mm <sup>2</sup> ), 2x (2.5 ... 6 mm <sup>2</sup> ) 2x (14 ... 10)
<b>Type of connectable conductor cross-sections</b>	
<ul style="list-style-type: none"> <li>• for auxiliary contacts <ul style="list-style-type: none"> <li>— solid</li> <li>— finely stranded with core end processing</li> </ul> </li> <li>• at AWG conductors for auxiliary contacts</li> </ul>	2x (0.5 ... 1.5 mm <sup>2</sup> ), 2x (0.75 ... 2.5 mm <sup>2</sup> ) 2x (0.5 ... 1.5 mm <sup>2</sup> ), 2x (0.75 ... 2.5 mm <sup>2</sup> ) 2x (18 ... 14)

### Certificates/approvals

General Product Approval	For use in hazardous locations
--------------------------	--------------------------------



Declaration of Conformity	Test Certificates	Shipping Approval
---------------------------	-------------------	-------------------



[spezielle Prüfbescheinigungen](#)



Shipping Approval	other
-------------------	-------



[Sonstige](#)

[Umweltbestätigung](#)

[Bestätigungen](#)



Further information

**Information- and Downloadcenter (Catalogs, Brochures,...)**

<http://www.siemens.com/industrial-controls/catalogs>

**Industry Mall (Online ordering system)**

<https://mall.industry.siemens.com/mall/en/en/Catalog/product?mlfb=3RV1021-4AA15>

**Cax online generator**

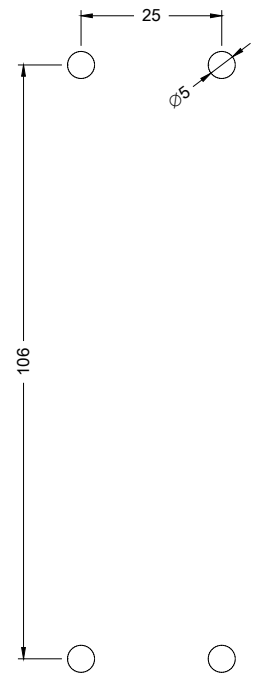
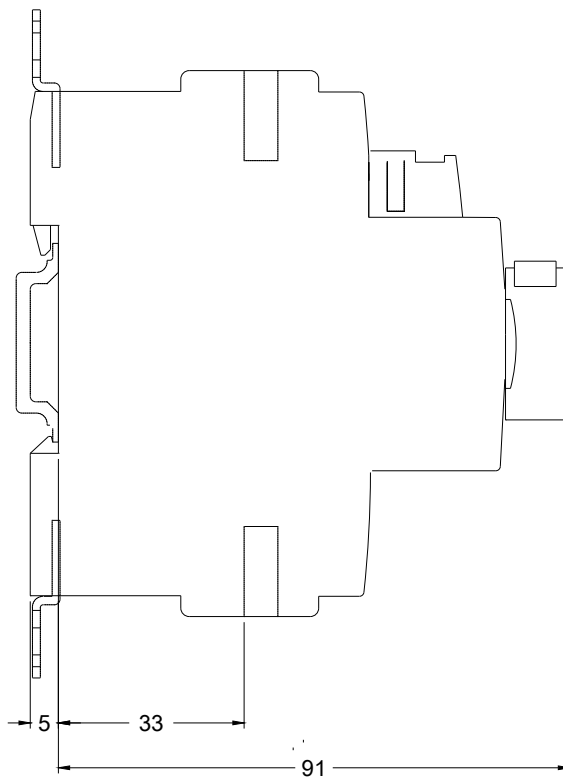
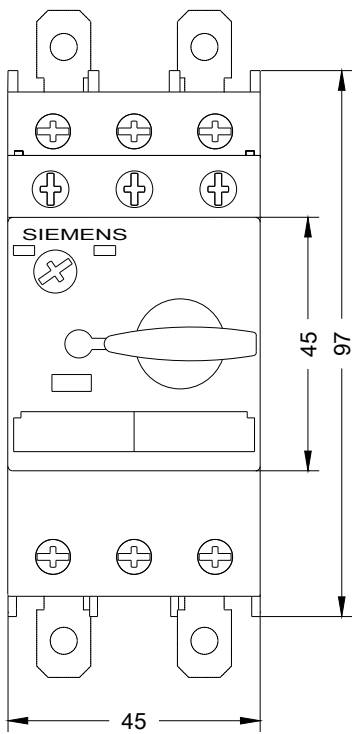
<http://support.automation.siemens.com/WW/CAXorder/default.aspx?lang=en&mlfb=3RV1021-4AA15>

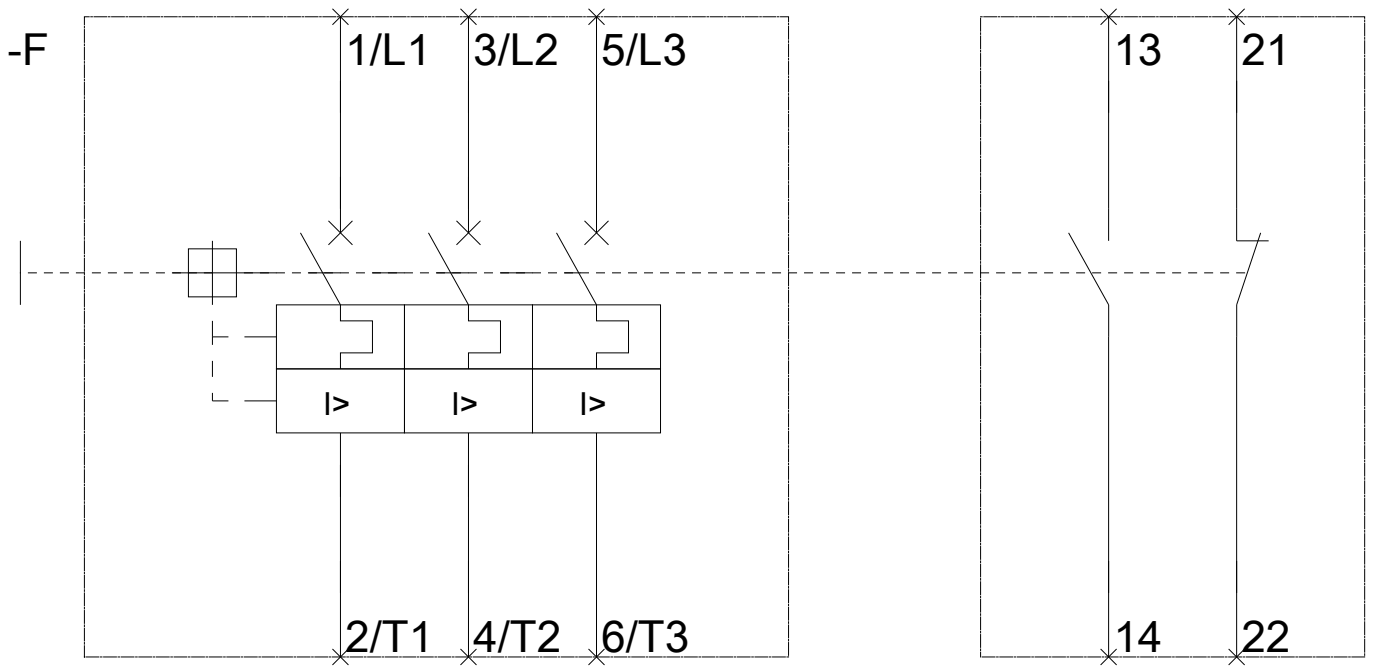
**Service&Support (Manuals, Certificates, Characteristics, FAQs,...)**

<https://support.industry.siemens.com/cs/ww/en/ps/3RV1021-4AA15>

**Image database (product images, 2D dimension drawings, 3D models, device circuit diagrams, EPLAN macros, ...)**

[http://www.automation.siemens.com/bilddb/cax\\_de.aspx?mlfb=3RV1021-4AA15&lang=en](http://www.automation.siemens.com/bilddb/cax_de.aspx?mlfb=3RV1021-4AA15&lang=en)





last modified:

06/12/2017