

CIRCUIT-BREAKER N-RELEASE 104A, SIZE S0, STARTER PROTECTION, 100 KA SCREW CONNECTION STANDARD BREAKING CAPACITY



Figure similar

|                       |                          |
|-----------------------|--------------------------|
| product brandname     | SIRIUS                   |
| Product designation   | circuit breaker          |
| Design of the product | for starter combinations |

### General technical data

|  |         |
|--|---------|
| Product extension  |         |
| <ul style="list-style-type: none"> <li>Auxiliary switch</li> </ul>             | Yes     |
| Power loss [W] total typical   | 7 W     |
| Surge voltage resistance rated value   | 6 000 V |
| Protection class IP  |         |
| <ul style="list-style-type: none"> <li>on the front</li> </ul>                 | IP20    |
| Mechanical service life (switching cycles)                                     |         |
| <ul style="list-style-type: none"> <li>of the main contacts typical</li> </ul> | 100 000 |

### Ambient conditions

|  |                |
|--|----------------|
| Ambient temperature  |                |
| <ul style="list-style-type: none"> <li>during operation</li> </ul> | -20 ... +60 °C |
| <ul style="list-style-type: none"> <li>during storage</li> </ul>   | -50 ... +80 °C |
| <ul style="list-style-type: none"> <li>during transport</li> </ul> | -50 ... +80 °C |

| Main circuit  |  |
|---|--|
| <b>Number of poles for main current circuit</b>                         | 3  |
| <b>Operating voltage</b>  |  |
| • rated value   | 690 V  |
| • at AC-3 rated value maximum   | 690 V  |
| <b>Operating current</b>  |  |
| • at AC-3   |  |
| — at 400 V rated value  | 8 A  |
| <b>Operating power</b>  |  |
| • at AC-3   |  |
| — at 400 V rated value  | 3 kW   |
| <b>Operating frequency</b>  |  |
| • at AC-3 maximum   | 15 1/h   |
| Auxiliary circuit   |  |
| <b>Number of CO contacts</b>  |  |
| • for auxiliary contacts  | 0  |
| Protective and monitoring functions                                     |  |
| <b>Maximum short-circuit current breaking capacity (I<sub>cu</sub>)</b> |  |
| • at AC at 240 V rated value  | 100 kA   |
| • at AC at 400 V rated value  | 100 kA   |
| • at AC at 500 V rated value  | 42 kA  |
| • at AC at 690 V rated value  | 6 kA   |
| Short-circuit protection  |  |
| <b>Design of the overcurrent release and short-circuit release</b>      | magnetic   |
| Installation/ mounting/ dimensions                                      |  |
| <b>Mounting position</b>  | any  |
| <b>Mounting type</b>  | screw and snap-on mounting onto 35 mm standard mounting rail according to DIN EN 50022 |
| <b>Height</b>   | 97 mm  |
| <b>Width</b>  | 45 mm  |
| <b>Depth</b>  | 96 mm  |
| <b>Required spacing</b>   |  |
| • with side-by-side mounting  |  |
| — Backwards   | 0 mm   |
| — at the side   | 0 mm   |
| Connections/Terminals   |  |
| <b>Product function</b>   |  |
| • removable terminal for auxiliary and control circuit                  | No   |

|   |   |
|---|---|
| <b>Type of electrical connection</b>  |   |
| <ul style="list-style-type: none"> <li>• for main current circuit</li> <li>• for auxiliary and control current circuit</li> </ul>   | <p>screw-type terminals</p> <p>screw-type terminals</p>   |
| <b>Arrangement of electrical connectors for main current circuit</b>  | front side  |
| <b>Type of connectable conductor cross-sections</b>   |   |
| <ul style="list-style-type: none"> <li>• for main contacts <ul style="list-style-type: none"> <li>— solid</li> <li>— stranded</li> <li>— finely stranded with core end processing</li> </ul> </li> <li>• at AWG conductors for main contacts</li> </ul> | <p>2x (1 ... 2.5 mm<sup>2</sup>), 2x (2.5 ... 6 mm<sup>2</sup>)</p> <p>2x (1 ... 2.5 mm<sup>2</sup>), 2x (2.5 ... 6 mm<sup>2</sup>)</p> <p>2x (1 ... 2.5 mm<sup>2</sup>), 2x (2.5 ... 6 mm<sup>2</sup>)</p> <p>2x (14 ... 10)</p> |

## Certificates/approvals

| General Product Approval | Declaration of Conformity | Test Certificates |
|--------------------------|---------------------------|-------------------|
|--------------------------|---------------------------|-------------------|



[spezielle Prüfbescheinigung](#)  
[n](#)

| Shipping Approval | other |
|-------------------|-------|
|-------------------|-------|



[Umweltbestätigung](#)

[Bestätigungen](#)

[Sonstige](#)



## Further information

### Information- and Downloadcenter (Catalogs, Brochures,...)

<http://www.siemens.com/industrial-controls/catalogs>

### Industry Mall (Online ordering system)

<https://mall.industry.siemens.com/mall/en/en/Catalog/product?mlfb=3RV1321-1HC10>

### Cax online generator

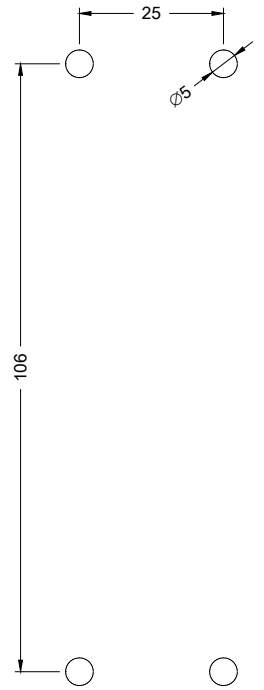
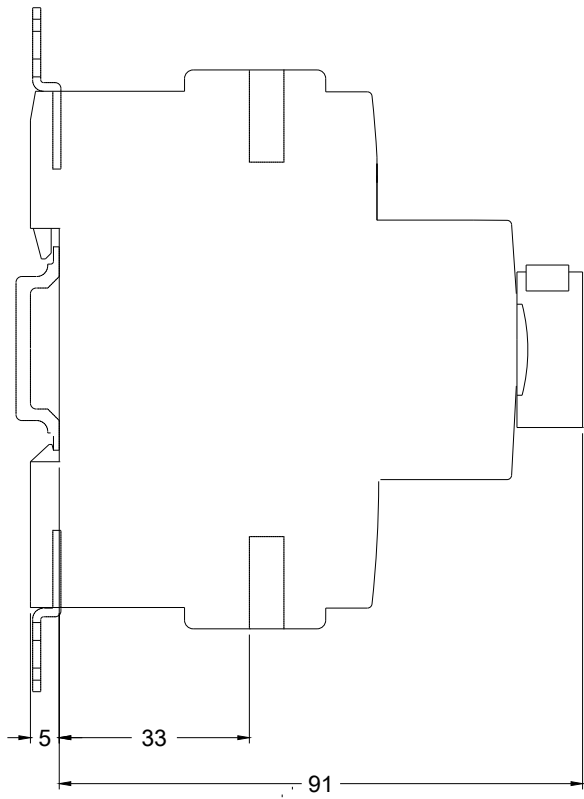
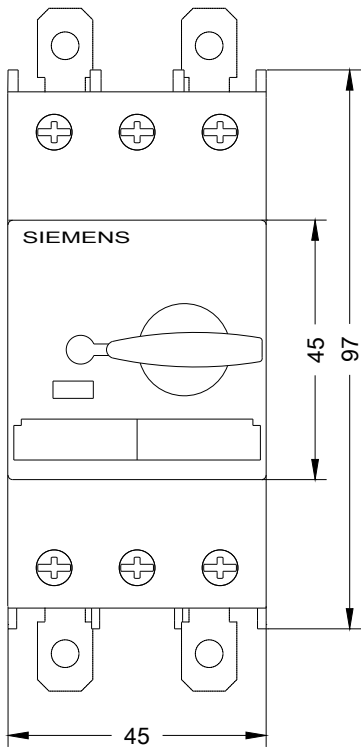
<http://support.automation.siemens.com/WW/CAXorder/default.aspx?lang=en&mlfb=3RV1321-1HC10>

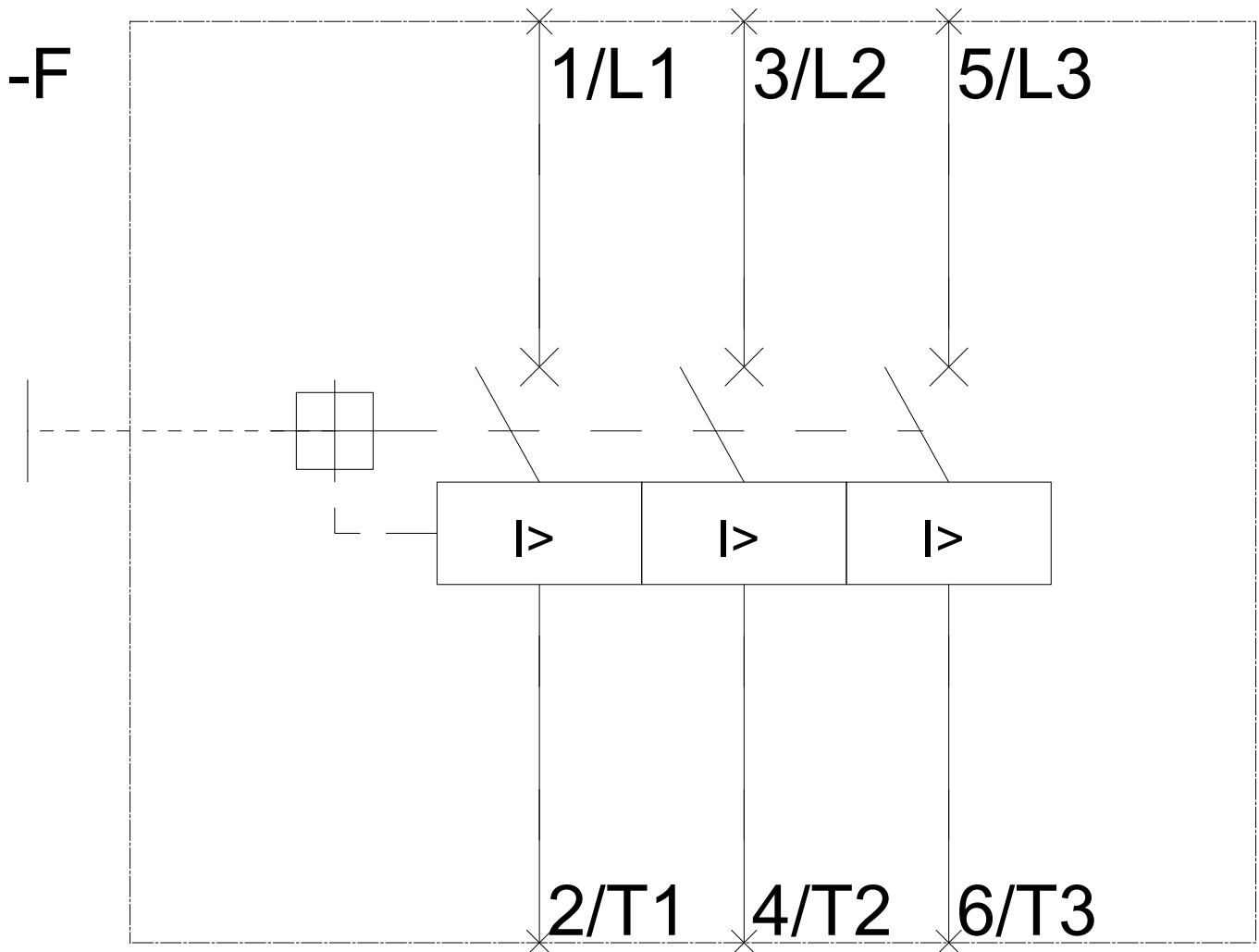
### Service&Support (Manuals, Certificates, Characteristics, FAQs,...)

<https://support.industry.siemens.com/cs/ww/en/ps/3RV1321-1HC10>

### Image database (product images, 2D dimension drawings, 3D models, device circuit diagrams, EPLAN macros, ...)

[http://www.automation.siemens.com/bilddb/cax\\_de.aspx?mlfb=3RV1321-1HC10&lang=en](http://www.automation.siemens.com/bilddb/cax_de.aspx?mlfb=3RV1321-1HC10&lang=en)





last modified:

06/12/2017