

Basic switch Plastic enclosure 40 mm according to EN 50041 Device connection 1x (M20 x 1.5) 1 NO/2 NC slow-action contacts with M12 connector, 4-pole 2 NC connected Pin assignment: Pin1=21, Pin2=22 Pin3=31, Pin4=32 max. 250 V and 4 A with Teflon plunger



Product brand name	SIRIUS
Product designation	Mechanical safety switches
Product type designation	3SE5
Manufacturer's article number	
<ul style="list-style-type: none"> <li>of the supplied basic switch</li> <li>of the supplied switching contacts</li> </ul>	<a href="#">3SE5134-0KA00-1AE0</a> <a href="#">3SE5000-0KA00</a>
Suitability for use safety switch	Yes

General technical data	
Product function	
<ul style="list-style-type: none"> <li>positive opening</li> </ul>	Yes
Degree of pollution	class 3
Surge voltage resistance rated value	2.5 kV
Protection class IP	IP67
Shock resistance	
<ul style="list-style-type: none"> <li>acc. to IEC 60068-2-27</li> </ul>	30 g / 11 ms
Mechanical service life (switching cycles)	
<ul style="list-style-type: none"> <li>typical</li> </ul>	15 000 000
Electrical endurance (switching cycles)	
<ul style="list-style-type: none"> <li>at AC-15 at 230 V typical</li> </ul>	100 000

Electrical endurance (switching cycles) with contactor 3RH11, 3RT1016, 3RT1017, 3RT1024, 3RT1025, 3RT1026 typical	10 000 000
Electrical operating cycles in one hour with contactor 3RH11, 3RT1016, 3RT1017, 3RT1024, 3RT1025, 3RT1026	6 000
Thermal current	4 A
Reference code acc. to DIN EN 81346-2	B
Reference code acc. to DIN EN 61346-2	B
Continuous current of the C characteristic MCB	1 A; for a short-circuit current smaller than 400 A
Continuous current of the quick DIAZED fuse link	4 A; for a short-circuit current smaller than 400 A
Continuous current of the DIAZED fuse link gG	4 A
Active principle	mechanical
Repeat accuracy	0.05 mm
Minimum actuating force in activation direction	20 N
Length of the sensor	99.2 mm
Width of the sensor	40 mm
Design of the switching contact	mechanical
Operating frequency rated value	50 ... 60 Hz
Number of NC contacts for auxiliary contacts	2
Number of NO contacts for auxiliary contacts	1
Operating current at AC-15	
• at 24 V rated value	4 A
• at 125 V rated value	4 A
• at 240 V rated value	4 A
Operating current at DC-13	
• at 24 V rated value	3 A
• at 125 V rated value	0.55 A
• at 250 V rated value	0.27 A

Enclosure	
Design of the housing	block, narrow
Material of the enclosure	plastic
Coating of the enclosure	Other types
Design of the housing acc. to standard	Yes

Drive Head	
Design of the operating mechanism	Other, without, basic switch with plug
Design of the switching function	Positive opening with appropriate positive opening actuator head
Circuit principle	slow-action contacts
Number of switching contacts safety-related	2
Cable entry type	M12 plug
Design of plug-in connection	M12 connector, 4-pole: pin 1= terminal 21, pin 2= 22, pin 3= 31, pin 4= 32

Communication/ Protocol	
-------------------------	--

Design of the interface	without
-------------------------	---------

### Ambient conditions

<b>Ambient temperature</b>	
• during operation	-25 ... +85 °C
• during storage	-40 ... +90 °C
<b>Explosion protection category for dust</b>	none

### Installation/ mounting/ dimensions

<b>Mounting position</b>	any
<b>Mounting type</b>	screw fixing

### Certificates/ approvals

<b>General Product Approval</b>	<b>Functional Safety/Safety of Machinery</b>	<b>Declaration of Conformity</b>
---------------------------------	--	----------------------------------



CCC



CSA



UL



[Type Examination Certificate](#)



EG-Konf.

<b>Declaration of Conformity</b>	other
----------------------------------	-------

[Miscellaneous](#)

[Confirmation](#)

### Further information

**Information- and Downloadcenter (Catalogs, Brochures,...)**

[www.siemens.com/sirius/catalogs](http://www.siemens.com/sirius/catalogs)

**Industry Mall (Online ordering system)**

<https://mall.industry.siemens.com/mall/en/en/Catalog/product?mlfb=3SE5134-0KA00-1AE0>

**Cax online generator**

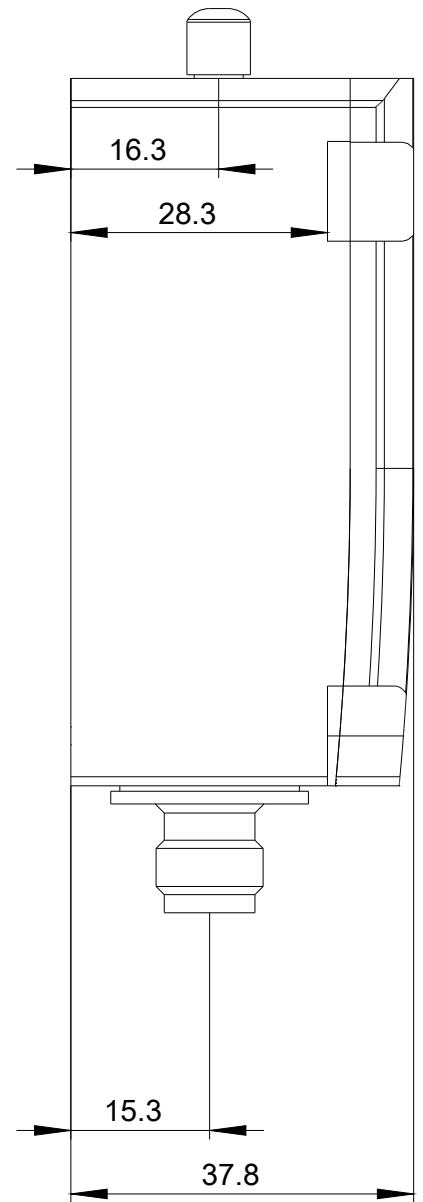
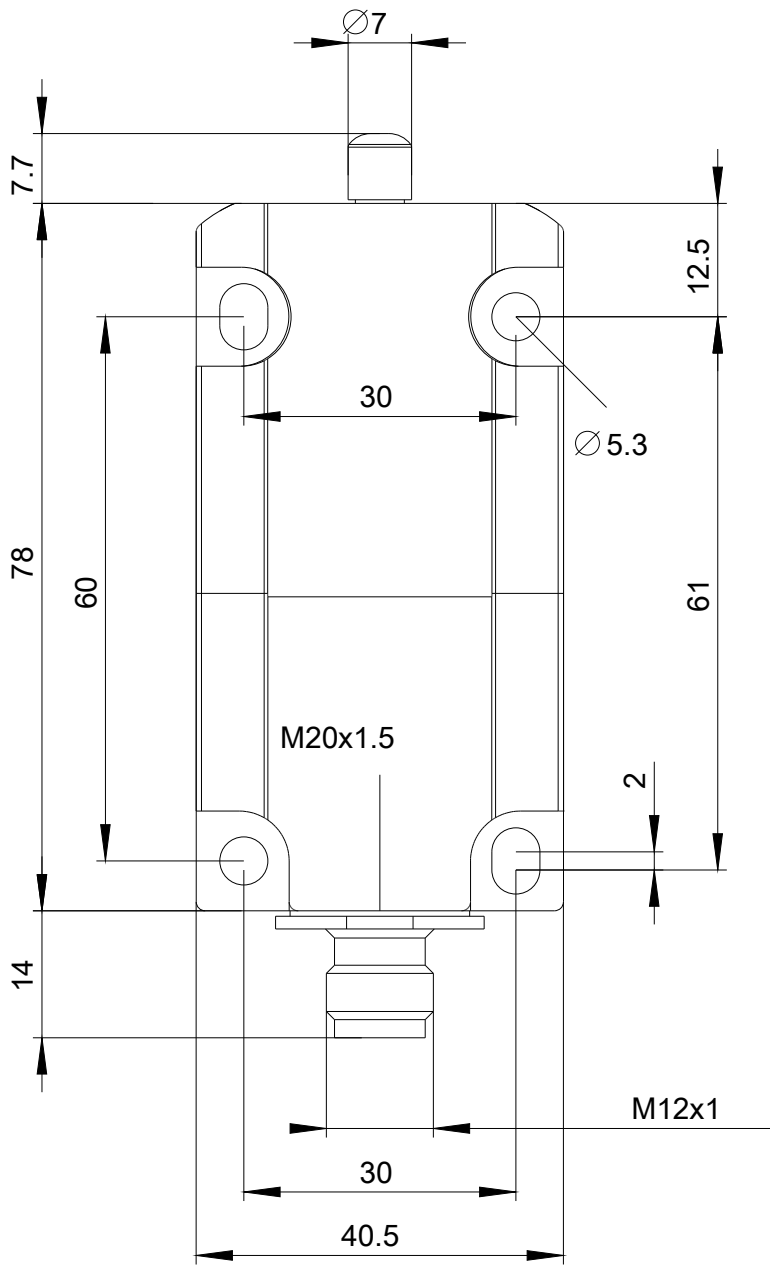
<http://support.automation.siemens.com/WW/CAXorder/default.aspx?lang=en&mlfb=3SE5134-0KA00-1AE0>

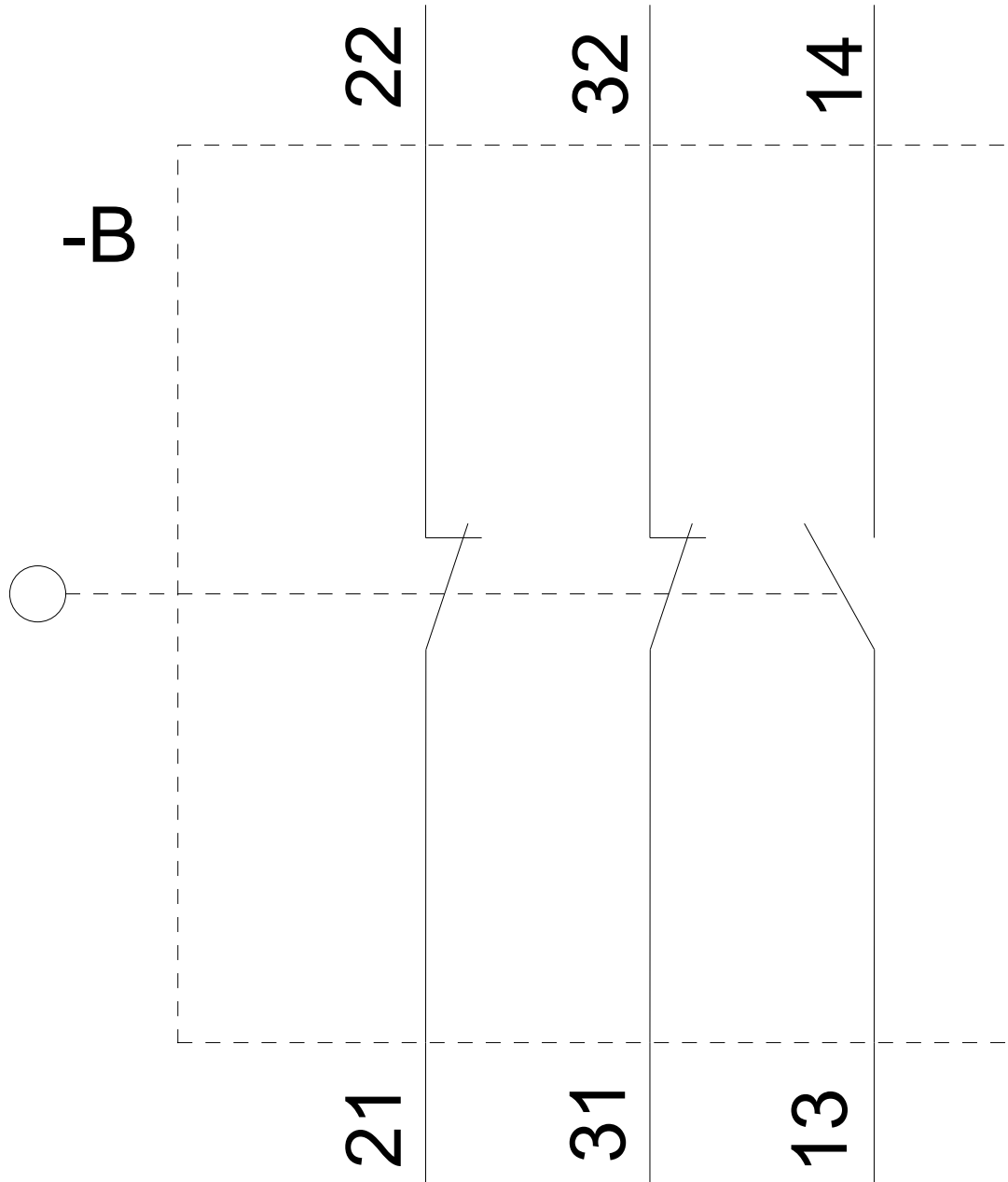
**Service&Support (Manuals, Certificates, Characteristics, FAQs,...)**

<https://support.industry.siemens.com/cs/ww/en/ps/3SE5134-0KA00-1AE0>

**Image database (product images, 2D dimension drawings, 3D models, device circuit diagrams, EPLAN macros, ...)**

[http://www.automation.siemens.com/bilddb/cax\\_de.aspx?mlfb=3SE5134-0KA00-1AE0&lang=en](http://www.automation.siemens.com/bilddb/cax_de.aspx?mlfb=3SE5134-0KA00-1AE0&lang=en)





last modified:

10/25/2019