



Figure similar

accessory for VL1250, VL1600, motorized operating mechanism 24 VDC



Model	
product brand name	SETRON
product designation	Motorized operating mechanism
design of the product	Accessories for VL1250; VL1600
type of the driving mechanism	motorized operating mechanism
General technical data	
operating frequency maximum	30 1/h
Voltage	
fuse protection type for external auxiliary power supply required	NEOZED fuse (gL/gG): 6 A / miniature circuit breaker, C char.: 6 A
operating range factor control supply voltage rated value	
• at DC initial value	0.85
• at DC full-scale value	1.1
• at AC at 50 Hz initial value	0.85
• at AC at 50 Hz full-scale value	1.1
• at AC at 60 Hz initial value	0.85
• at AC at 60 Hz full-scale value	1.1
Protection class	
protection class IP	IP30
Control current	
operating apparent power	250 VA
control supply voltage	
• at DC rated value minimum	24 V
• at DC rated value maximum	24 V
pulse duration minimum	50 ms
Connections	
stripped length	10 mm
connectable conductor cross-section solid	
• minimum	0.75 mm ²
• maximum	1.5 mm ²
connectable conductor cross-section stranded	
• minimum	0.75 mm ²
• maximum	1.5 mm ²
connectable conductor cross-section finely stranded with core end processing	
• minimum	0.75 mm ²
• maximum	1.5 mm ²
tightening torque	
• minimum	0.6 N·m
• maximum	0.8 N·m

Mechanical Design	
height	230 mm
width	215 mm
depth	180 mm
net weight	7 910 g

Environmental conditions	
ambient temperature during operation	
• minimum	-25 °C
• maximum	70 °C
ambient temperature during storage	
• minimum	-40 °C
• maximum	80 °C

Certificates	
reference code according to IEC 81346-2	M

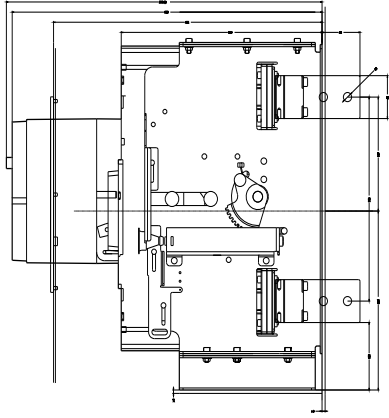
Approvals Certificates

General Product Approval	Test Certificates	other
 	Confirmation 	Special Test Certificate Miscellaneous

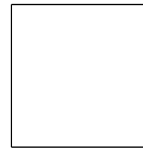
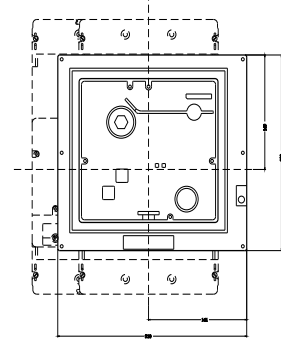
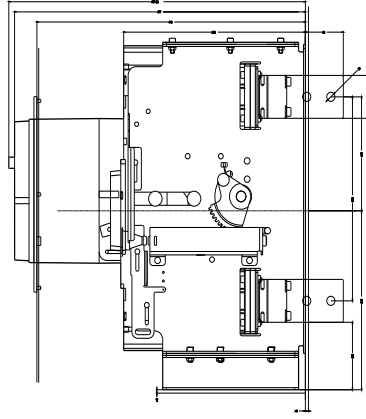
other	Environment
Confirmation	Environmental Confirmations

Further information

- Information on the packaging
<https://support.industry.siemens.com/cs/ww/en/view/109813875>
- Information- and Downloadcenter (Catalogs, Brochures,...)
<http://www.siemens.com/lowvoltage/catalogs>
- Industry Mall (Online ordering system)
<https://mall.industry.siemens.com/mall/en/en/Catalog/product?mlfb=3VL9800-3MJ00>
- Service&Support (Manuals, Certificates, Characteristics, FAQs,...)
<https://support.industry.siemens.com/cs/ww/en/ps/3VL9800-3MJ00>
- Image database (product images, 2D dimension drawings, 3D models, device circuit diagrams, ...)
http://www.automation.siemens.com/bilddb/cax_en.aspx?mlfb=3VL9800-3MJ00
- CAX-Online-Generator
<http://www.siemens.com/cax>
- Tender specifications
<http://www.siemens.com/specifications>



01 Antriebsmotor
02 Hauptkasten



last modified:

3/11/2024 

