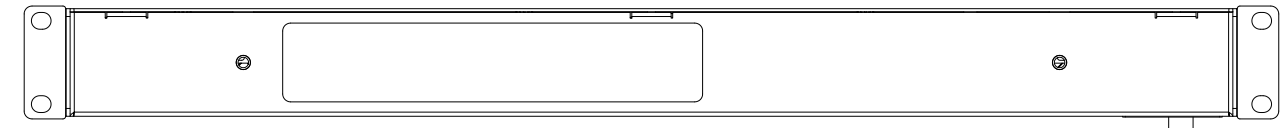


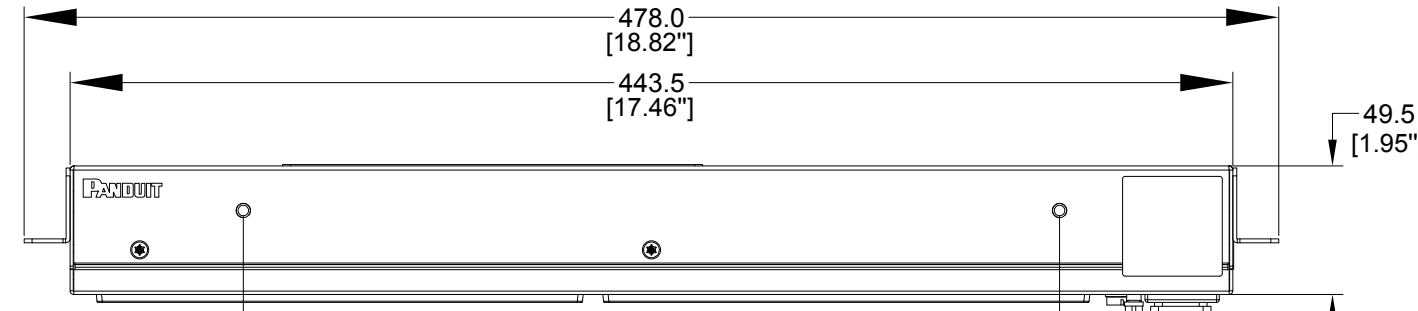
PANDUIT P/N	WEIGHT
P12B46M	1.0kg

NOTES:

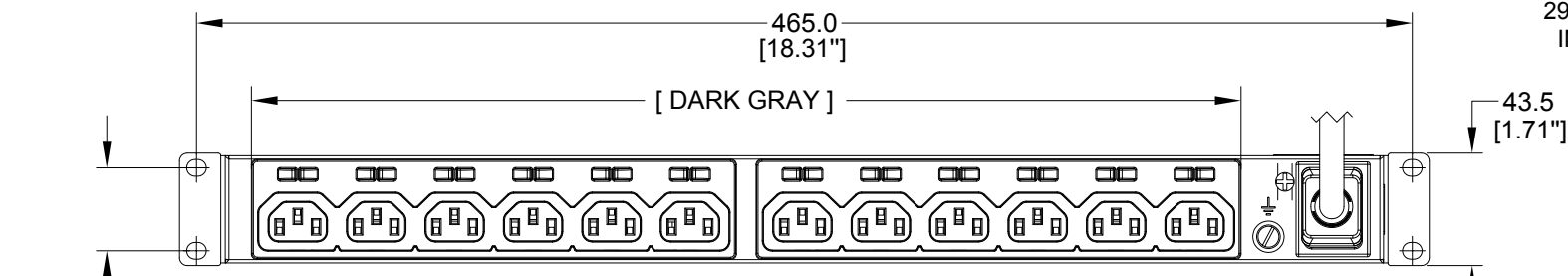
- IDENTIFICATION:
 - UNIT TYPE: BASIC
 - ORIENTATION: HORIZONTAL, 1U
 - OUTLET QTY&TYPE: (12) C13
 - BREAKER QTY&TYPE: N/A
 - INPUT VOLTAGE: 100-240V
 - INPUT CURRENT: 20A (16A DERATED)
 - INPUT PHASE: SINGLE-PHASE
 - RATED POWER: 3.3kVA
 - INPUT PLUG: NEMA L6-20P
 - INPUT CORD LENGTH: 3m [10']
- ACCESSORIES:
 - POCKET GUIDE
 - QTY: (4) M6 X 12 PAN HEAD MACHINE SCREWS
 - QTY: (4) M6 CAGED NUT
 - QTY: (2) BUTTONS
 - QTY: (2) M4 FINE THREAD SCREWS
- RoHS COMPLIANT
- VISIT PANDUIT'S ON-LINE CATALOG AT WWW.PANDUIT.COM FOR ADDITIONAL PRODUCT INFORMATION CONTAINED IN THE SPECIFICATION SHEET AS WELL AS A CURRENT LIST OF PRODUCTS APPLICABLE FOR USE WITH THIS PART
- MAXIMUM ALLOWABLE INPUT POWER = 3.3 kW
- INSTALLATION SHALL COMPLY WITH ALL APPLICABLE NATIONAL, STATE, AND LOCAL CODES



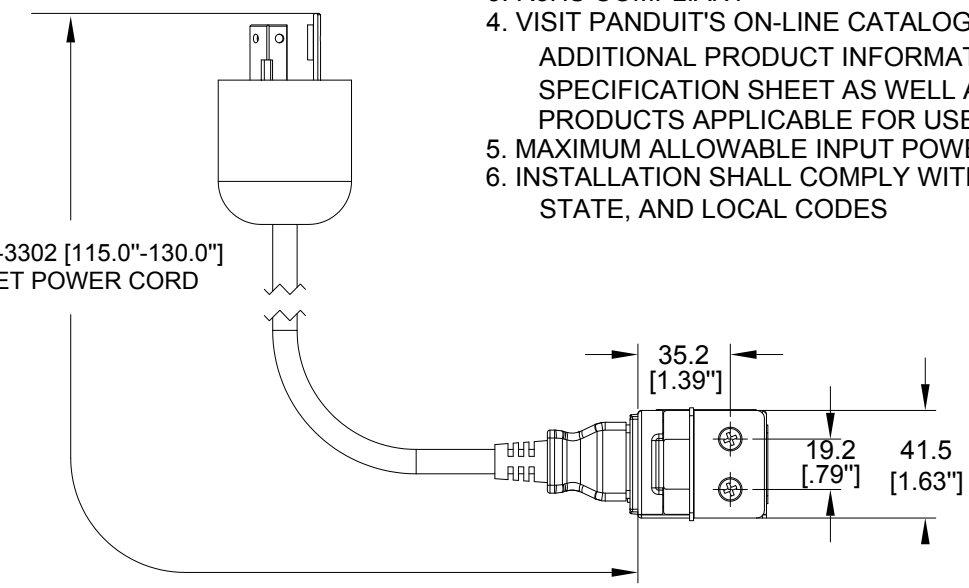
REAR VIEW



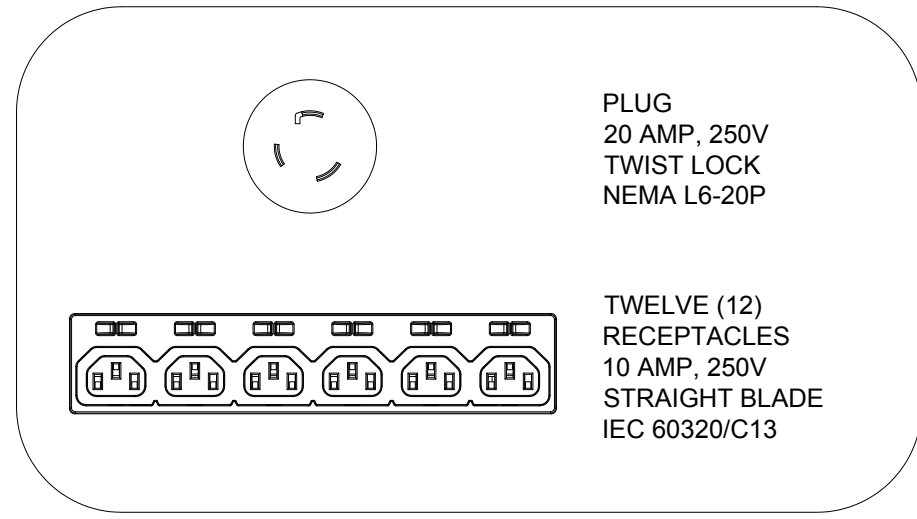
TOP VIEW



FRONT VIEW



SIDE VIEW



REV	DATE	BY	CHK	APR	DESCRIPTION	ECN
01B	08/21/2017	JIANG	MIM	EDM	REVISED TOLERANCES	P12B46M
01A	06/28/2017	JIANG	MIM	EDM	INITIAL RELEASE	P12B46M

WE ASK THAT YOU CHECK FULLY THE DIMENSIONS, NOTES, AND SIGN THE CLIENT SIGNATURE BOX. THE JOB WILL NOT PROGRESS WITHOUT SIGNED APPROVAL. PLEASE DO NOT DELAY IN RETURNING PROOF AS IT WILL AFFECT DELIVERY

SIGN _____
DATE _____
PRINT _____

TITLE: BASIC SERIES PDU
P12B46M
CUSTOMER DRAWING

ITEM REVISION NAME: _____
DATASHEET FILE NAME: _____

UNLESS OTHERWISE SPECIFIED
DIMENSIONAL TOLERANCE ARE: mm [IN]

Tolerance(mm)	
0<L<50	±0.5
50<L<250	±1.0
250<L<500	±1.5
500<L<1000	±2.5
1000<L<2000	±4.0

THIRD ANGLE PROJECTION

MATERIAL/COLOR: N/A

DRAWING NUMBER: P12B46M_DC

DRAWN BY: JIANG DATE: 05/24/2017
CHK: SEAN SCALE: NONE

SHT 1 OF 1

SCALE: B