

Siemens  
EcoTech



circuit breaker 3VA6 UL Frame 600 breaking capacity class E 200 kA @ 480 V 3-pole, line protection ETU330, LIG, In=600 A overload protection Ir=240 A ...600 A short-circuit protection Ii=1.5...9 x In ground-fault protection IG=0.2... 1xIn, tg=0.1/0.3s cable connection on two sides



| Model  |   |
|--|---|
| product brand name   | SENTRON                                 |
| product designation  | Molded-case circuit breaker             |
| product designation / according to UL file   | ELAE                                    |
| design of the product  | System protection                       |
| design of the load switch / according to UL 489 / Heating, Air Conditioning, and Refrigeration circuit breaker (HACR Type) | Yes                                     |
| design of the overcurrent release  | ETU330                                  |
| protection function of the overcurrent release   | LIG                                     |
| number of poles  | 3                                       |
| General technical data   |   |
| insulation voltage / rated value   | 800 V                                   |
| operating voltage / at AC / rated value  | 690 V                                   |
| power loss [W] / maximum   | 151 W                                   |
| power loss [W] / for rated value of the current / at AC / in hot operating state / per pole                                | 50.33 W                                 |
| mechanical service life (operating cycles) / typical   | 20 000                                  |
| electrical endurance (operating cycles) / at AC-1 / at 380/415 V   | 4 000                                   |
| electrical endurance (operating cycles) / at AC-1 / at 690 V   | 3 500                                   |
| electrical endurance (operating cycles) / at 480 V   | 4 000                                   |
| electrical endurance (operating cycles) / at 600 V   | 3 500                                   |
| product feature / for neutral conductors / upgradable/retrofitable / short-circuit and overload proof                      | No                                      |
| ground-fault monitoring version  | Summation current formation L-conductor |
| product function   |   |
| • communication function   | No                                      |
| • other measurement function   | No                                      |
| Net Weight   | 9.621 kg                                |
| Current  |   |
| marking / according to UL 489 / 100%-rated breaker   | No                                      |
| operational current  |   |
| • at 55 °C   | 575 A                                   |
| • at 60 °C   | 557 A                                   |
| • at 65 °C   | 538 A                                   |
| • at 70 °C   | 520 A                                   |
| Switching capacity according to IEC 60947  |   |
| switching capacity class of the circuit breaker  | E                                       |
| maximum short-circuit current breaking capacity (Icu)  |   |

|  |                  |
|--|------------------|
| <ul style="list-style-type: none"> <li>• at 415 V</li> <li>• at 690 V</li> </ul> | 150 kA<br>6.5 kA |
| operating short-circuit current breaking capacity (Ics)                          |                  |
| <ul style="list-style-type: none"> <li>• at 415 V</li> <li>• at 690 V</li> </ul> | 150 kA<br>6.5 kA |
| short-circuit current making capacity (Icm)                                      |                  |
| <ul style="list-style-type: none"> <li>• at 415 V</li> <li>• at 690 V</li> </ul> | 440 kA<br>11 kA  |

#### Switching capacity according to UL 489

|  |                  |
|--|------------------|
| current breaking capacity  |                  |
| <ul style="list-style-type: none"> <li>• at 480 V</li> <li>• at 600 V</li> </ul> | 200 kA<br>100 kA |

#### Adjustable parameters

|   |                  |
|---|------------------|
| adjustable response value setting current (I <sub>r</sub> ) / of the L-trip / with I <sub>2t</sub> characteristic |                  |
| <ul style="list-style-type: none"> <li>• minimum</li> <li>• maximum</li> </ul>                                    | 250 A<br>600 A   |
| adjustable response value delay time (t <sub>r</sub> ) / for L-tripping / with I <sub>2t</sub> characteristic     |                  |
| <ul style="list-style-type: none"> <li>• minimum</li> <li>• maximum</li> </ul>                                    | 0.5 s<br>15 s    |
| adjustable response value setting current (I <sub>l</sub> ) / for I-tripping                                      |                  |
| <ul style="list-style-type: none"> <li>• minimum</li> <li>• maximum</li> </ul>                                    | 900 A<br>5 400 A |
| adjustable current response value current / for G-tripping / with standard characteristic                         |                  |
| <ul style="list-style-type: none"> <li>• initial value</li> <li>• full-scale value</li> </ul>                     | 120 A<br>600 A   |
| adjustable response value delay time (t <sub>g</sub> ) / for G-tripping / with I <sub>0t</sub> characteristic     |                  |
| <ul style="list-style-type: none"> <li>• minimum</li> <li>• maximum</li> </ul>                                    | 0.1 s<br>0.3 s   |
| product function / grounding protection   | Yes              |

#### Mechanical Design

|   |                       |
|---|-----------------------|
| product component   |                       |
| <ul style="list-style-type: none"> <li>• undervoltage release</li> <li>• voltage trigger</li> <li>• trip indicator</li> </ul> | No<br>No<br>No        |
| height [in]   | 9.76 in               |
| height  | 248 mm                |
| width [in]  | 5.43 in               |
| type of connectable conductor cross-sections / of the round conductor terminal / stranded                                     | 2 x (2/0 - 600 kcmil) |
| width   | 138 mm                |
| depth [in]  | 4.33 in               |
| depth   | 110 mm                |

#### Connections

|   |   |
|---|---|
| arrangement of electrical connectors / for main current circuit | Front connection                          |
| type of electrical connection / for main current circuit        | circular conductor terminal on both sides |

#### Auxiliary circuit

|  |   |
|--|---|
| number of CO contacts / for auxiliary contacts | 0 |
|--|---|

#### Accessories

|  |     |
|--|-----|
| product extension / optional / motor drive | Yes |
|--|-----|

#### Environmental conditions

|  |                                    |
|--|------------------------------------|
| protection class IP / on the front   | IP40                               |
| ambient temperature  |                                    |
| <ul style="list-style-type: none"> <li>• during operation / minimum</li> <li>• during operation / maximum</li> <li>• during storage / minimum</li> <li>• during storage / maximum</li> </ul> | -25 °C<br>70 °C<br>-40 °C<br>80 °C |

#### Environmental footprint

|  |     |
|--|-----|
| Environmental Product Declaration(EPD) | Yes |
|--|-----|

|  |                 |
|--|-----------------|
| global warming potential [CO2 eq] / total                | 495 kg          |
| global warming potential [CO2 eq] / during manufacturing | 28.7 kg         |
| global warming potential [CO2 eq] / during operation     | 470 kg          |
| global warming potential [CO2 eq] / after end of life    | -4.07 kg        |
| Siemens Eco Profile (SEP)                                | Siemens EcoTech |
| reference code / according to IEC 81346-2                | Q               |

#### Approvals / Certificates

##### General Product Approval



[Miscellaneous](#)

|                          |     |       |  |                 |
|--------------------------|-----|-------|--|-----------------|
| General Product Approval | EMV | other |  | Dangerous goods |
|--------------------------|-----|-------|--|-----------------|



[Confirmation](#)

[Miscellaneous](#)

[Transport Information](#)

#### Environment



[Environmental Confirmations](#)

#### Further information

##### Information on the packaging

<https://support.industry.siemens.com/cs/ww/en/view/109813875>

##### Information for data generation and storage

<https://support.industry.siemens.com/cs/ww/en/view/109995012>

##### Information- and Downloadcenter (Catalogs, Brochures,...)

<http://www.siemens.com/lowvoltage/catalogs>

##### Industry Mall (Online ordering system)

<https://mall.industry.siemens.com/mall/en/en/Catalog/product?mifb=3VA6460-0HM36-0AA0>

##### Service&Support (Manuals, Certificates, Characteristics, FAQs,...)

<https://support.industry.siemens.com/cs/ww/en/ps/3VA6460-0HM36-0AA0>

##### Image database (product images, 2D dimension drawings, 3D models, device circuit diagrams, ...)

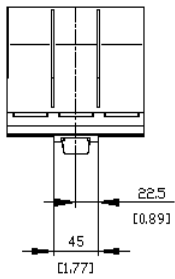
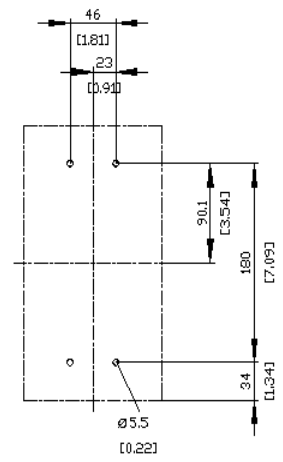
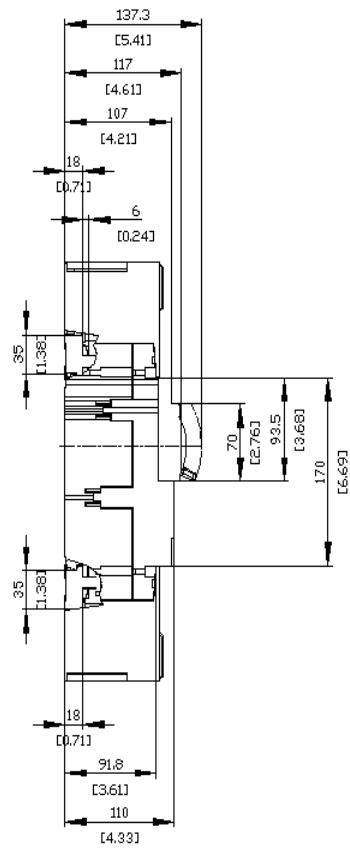
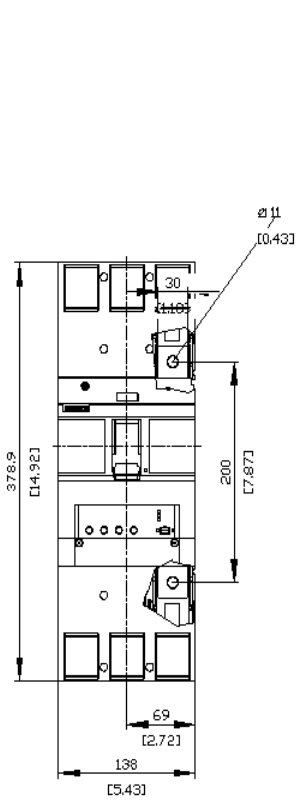
[http://www.automation.siemens.com/bilddb/cax\\_en.aspx?mifb=3VA6460-0HM36-0AA0](http://www.automation.siemens.com/bilddb/cax_en.aspx?mifb=3VA6460-0HM36-0AA0)

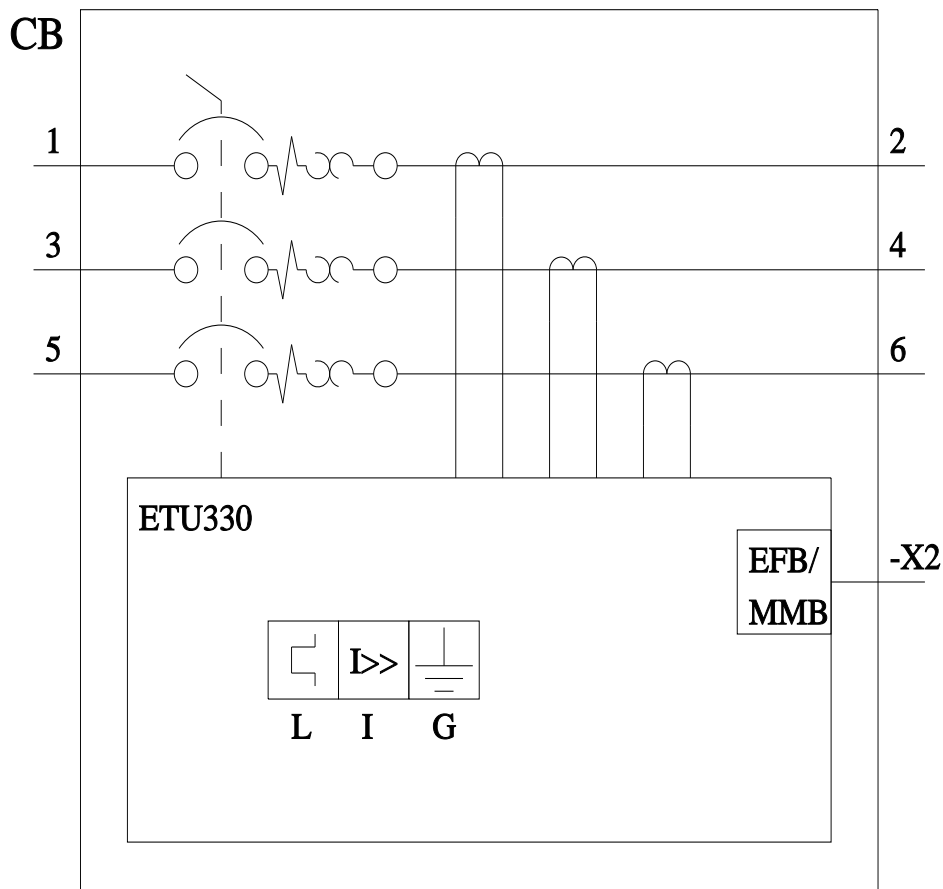
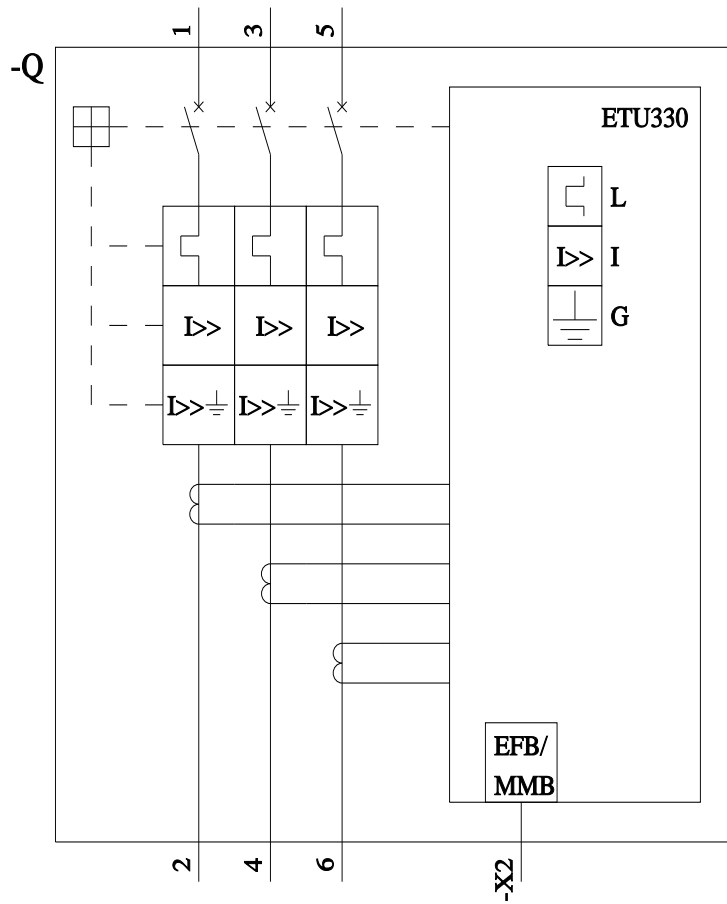
##### CAX-Online-Generator

<http://www.siemens.com/cax>

##### Tender specifications

<http://www.siemens.com/specifications>





last modified:

5/2/2025 

