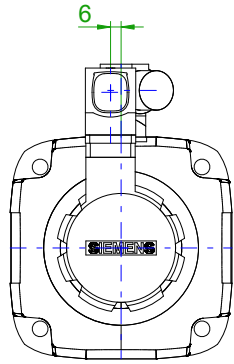
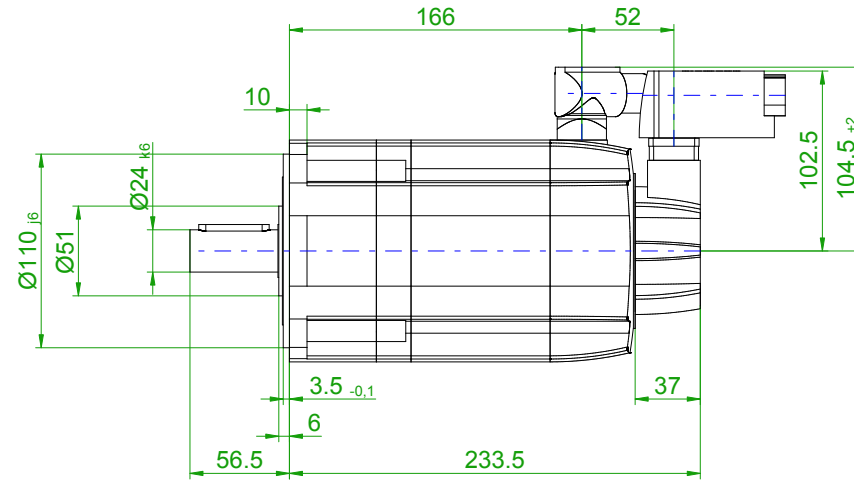
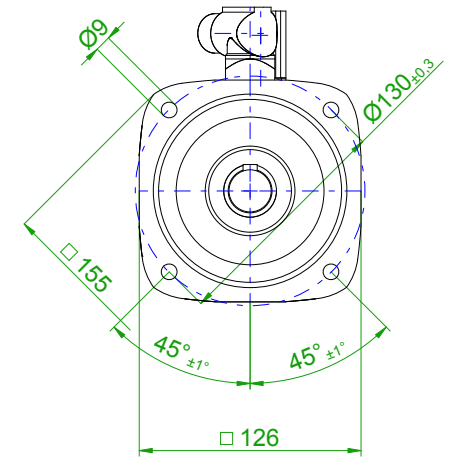


back view

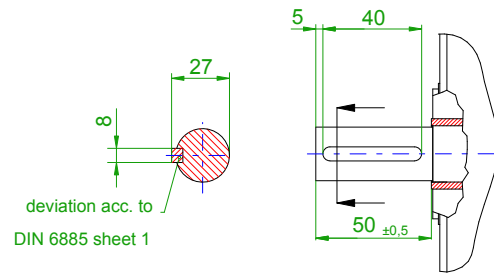


front view

center hole
DIN 332-DR M8



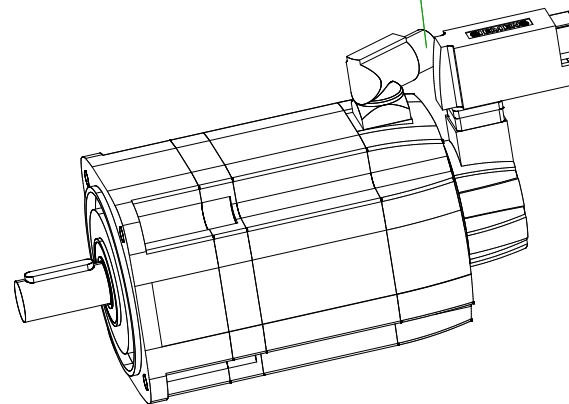
version with featherkey



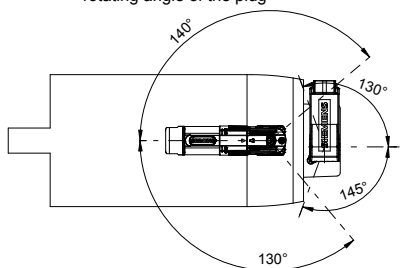
deviation acc. to
DIN 6885 sheet 1

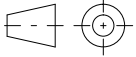
6-pole plug size 1
for power and brake

10-pole
signal plug



rotating angle of the plug



		SIEMENS	
Einheit / unit: mm		Synchron-Servomotor Synchronous Servo Motor:	1FT7064-5AF70-1FB1
nicht tolerierte Maße / not toleranced dimensions:		Optionen / options:	Gewicht / mass: 11.4 kg
Maßstab / scale: ohne / without		Bemerkung / notice:	
CAD CREATOR 2.2 (WWW-Version V02.20.00.00)		Druckdatum / print date: 02.12.2019	