

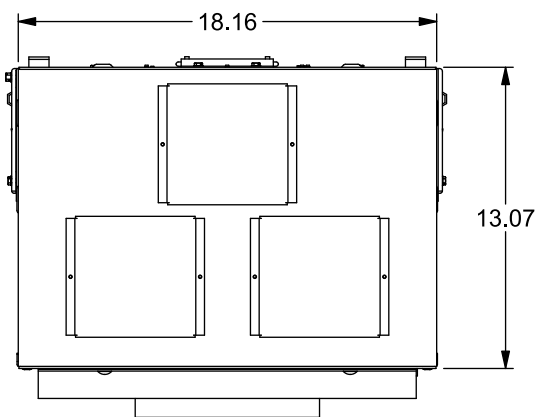
## Features

- Type 3R Outdoor Enclosure
- Main Bus Rating: 1200A Max.
- 120/240 Volts~, 1 Phase, 3 Wire  
208Y/120 Volts~, 1 Phase, 3 Wire  
(from 3 Phase, 4 Wire network)
- (1) QuickConnect™ included



## Catalog Numbers

Catalog No.	Phase	Amperage Rating, Max.	Maximum Interrupting Rating
WXB11200N	1	1200	65,000
WXB11200NU	1	1200	100,000



## Accessories

Ground Bar Kit: Catalog No. ECGB10

Terminal	Wire Size	Torque
Equipment	#10 - #14 CU	20 lb-in
Ground Bar	#10 - #12 AL	20 lb-in
	#8 CU/AL	25 lb-in
	#6 - #4 CU/AL	35 lb-in

USE ONLY NON-INTERCHANGEABLE TRIP BREAKER TYPES

Breaker Type	Rating
NXD6	65k AIC
HXXD6	100k AIC

### Accessory Description . Catalog No.

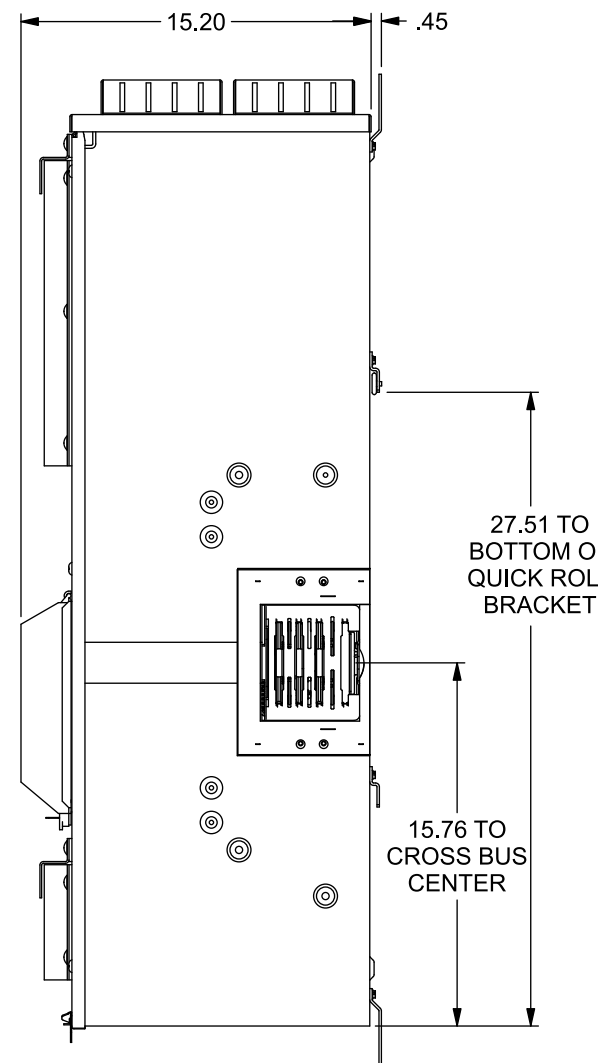
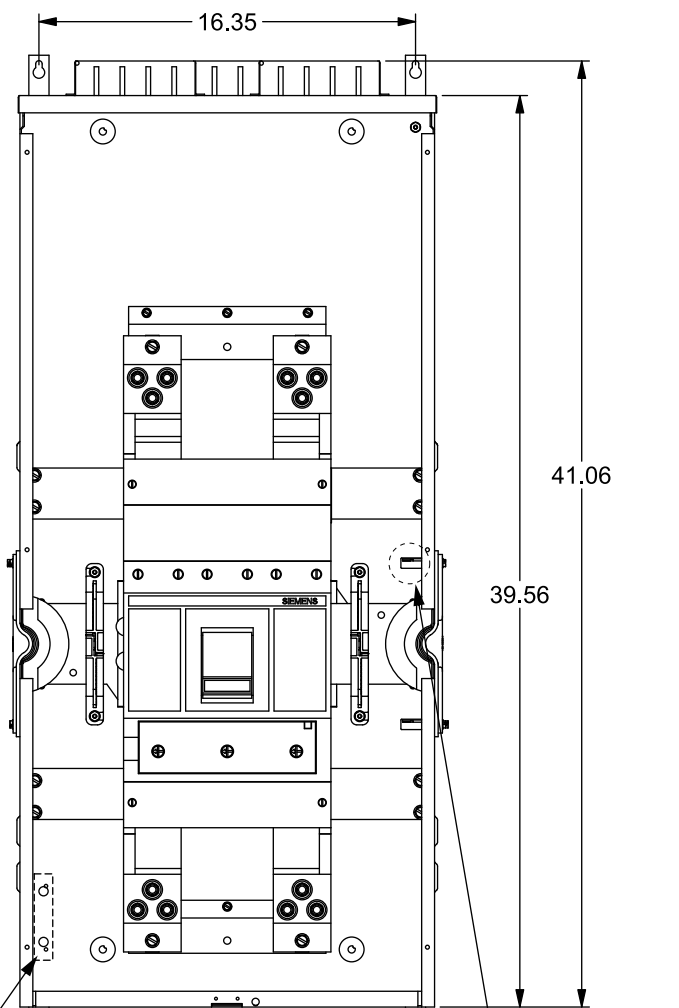
Breaker Cover Repl. . . . . ECMMBCL  
 Cover Screws . . . . . ECMFCS  
 Loose Parts Kit . . . . . ECMFPK  
 Mounting Tabs (2) . . . . . ECMFTAB  
 QuickRoll Wheel Clip . . . . . ECMFWLCLIP  
 End Closure Plate . . . . . WMEP  
 Mounting Clip . . . . . MMCLIP  
 Wall Mounting Rail (60") . . . . . MMZR60  
 Mounting Rail . . . . . MMRAIL

## Additional Modules

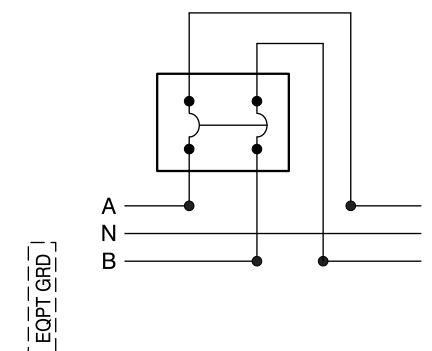
FOR USE WITH: Module Description	Siemens Series#
Main Breakers	WB(M), WEB(M), WXB(M), BFT(M)
Switches	WMP, WS, WES, WXS
Tap/Terminal Boxes	WTB, WET, WT_PU, WTBN, WBT(M)
Pull Boxes	WMMB
Meter Module	(W)MM, (W)MT, (W)ML, (W)MK, (W)MLZ(F), (W)MN
Meter Combinations	WC, WCL, WCT
Extension Box	WSP, WSPD
Bussed Elbow	BE, WELB

Connect Modules Using:	Catalog Number / Torque
QuickConnect, 1 Phase	QC1, Torque 400-440 lb-in (35-36 ft.-lb.)

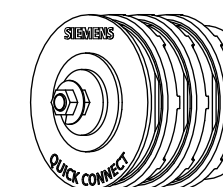
## View Shown with Cover Removed



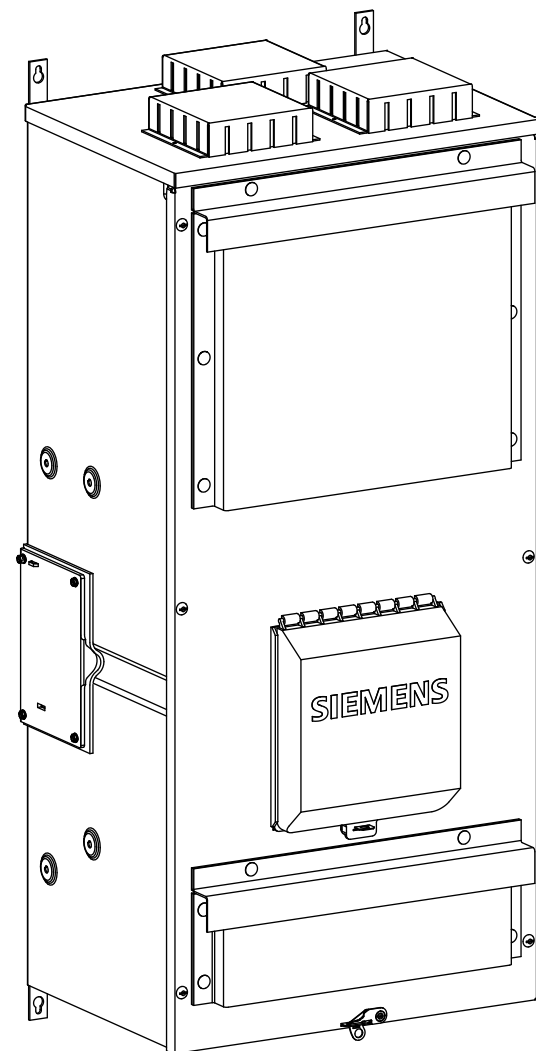
## Schematic



When this module is used as a Service Disconnect, apply "Service Disconnect" label near the breaker handle cover. In all other applications, apply the "Feeder Breaker" label near the breaker handle cover.

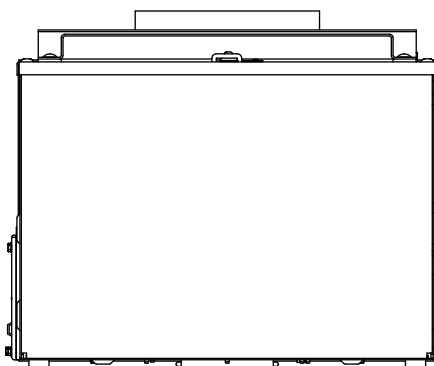


**QuickConnect™ Included**

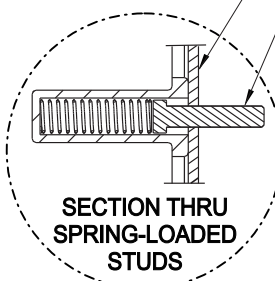


GROUND BAR PROVISION

SPRING-LOADED STUDS (SEE DETAIL)



#10-32 x 7/8 SCREWS ENCLOSURE WALL



SECTION THRU SPRING-LOADED STUDS

© 2019 Copyright Siemens Industry, Inc.

**SIEMENS**  
Siemens Industry, Inc.

**PowerMod™ Cross Bus Main**

Description: **1 Phase, 1200A, 65k-100kAIC Modules**

KAM 3/19/19 DO NOT SCALE DRAWING Dwg No. **WXB11200N-NU**