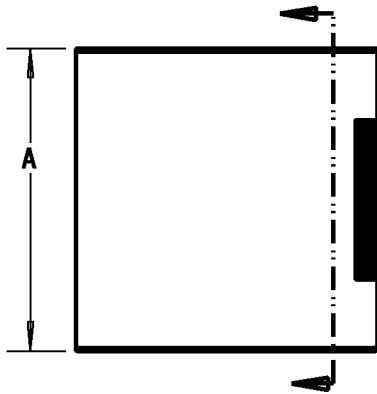
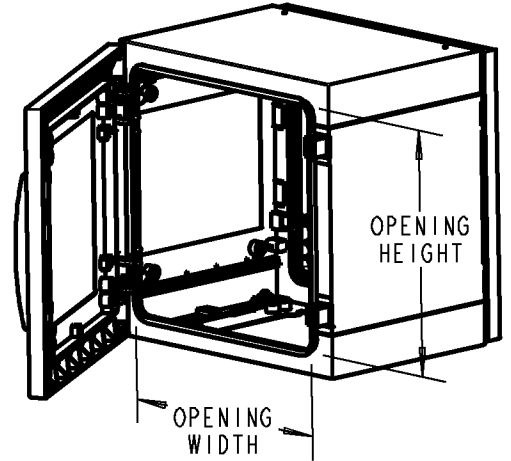
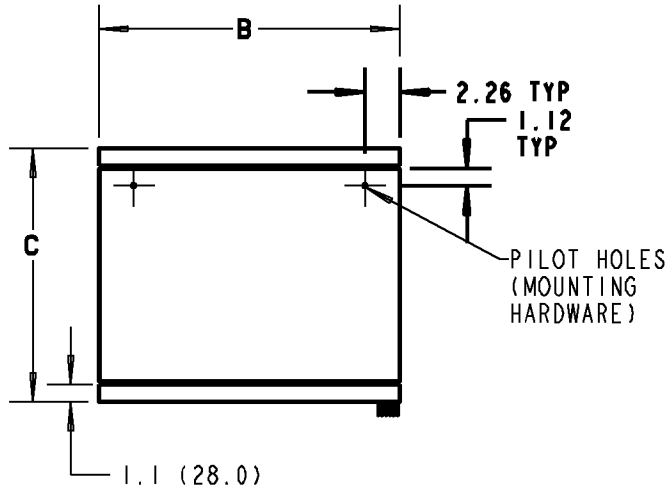
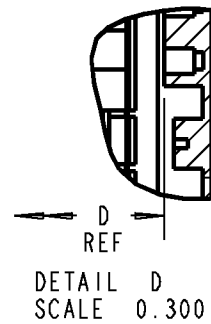
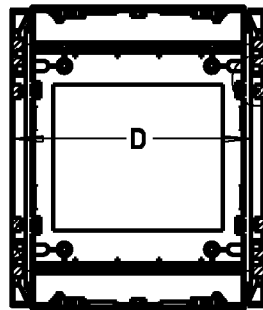


Carlton®

SINGLE DOOR



SEE DETAIL D



SEE SHEET 2 FOR CHARTED DIMENSIONS

GENERAL NOTES

1. ALL DIMENSIONS ARE FOR REFERENCE ONLY.
2. DIMENSIONS IN BRACKETS [] ARE IN METRIC UNITS.

REVISIONS

E SEE ERN 2017508 FOR APPROVAL SIGNATURES & RELEASE DATE. PROJECT NO: 5AM000014

Thomas & Betts
www.tnb.com

DESCRIPTION: HIMEL HLS & HLA ENCLOSURES

ORIGINAL PROJECT NO / (ERN NO)
/ ()

SHEET NO:
1 OF 3

REV. NO:
E


DRAWING NO:
WSD-AC04081

Carlton®

SEE SHEET 1 FOR DIMENSION LOCATIONS

SINGLE DOOR

PART NUMBER	"A" IN (mm)	"B" IN (mm)	"C" IN (mm)	"D" IN (mm)	OPENING HEIGHT x WIDTH IN (mm)	BACKPLATE PART NO.
HLS2020	19.7 (500)	19.7 (500)	12.6 (320)	11.6 (295)	15.9 (405) x 15.9 (405)	L_2020BP
HLA2020	19.7 (500)	19.7 (500)	16.5 (420)	15.5 (394)	15.9 (405) x 15.9 (405)	L_2020BP
HLS2030	19.7 (500)	29.5 (750)	12.6 (320)	11.6 (295)	15.9 (405) x 29.5 (750)	L_2030BP
HLA2030	19.7 (500)	29.5 (750)	16.5 (420)	15.5 (394)	15.9 (405) x 29.5 (750)	L_2030BP
HLS3020	29.5 (750)	19.7 (500)	12.6 (320)	11.6 (295)	25.8 (655) x 15.9 (405)	L_3020BP
HLA3020	29.5 (750)	19.7 (500)	16.5 (420)	15.5 (394)	25.8 (655) x 15.9 (405)	L_3020BP
HLS3030	29.5 (750)	29.5 (750)	12.6 (320)	11.6 (295)	25.8 (655) x 25.8 (655)	L_3030BP
HLA3030	29.5 (750)	29.5 (750)	16.5 (420)	15.5 (394)	25.8 (655) x 25.8 (655)	L_3030BP
HLS4020	39.4 (1000)	19.7 (500)	12.6 (320)	11.6 (295)	35.6 (905) x 15.9 (405)	L_4020BP
HLA4020	39.4 (1000)	19.7 (500)	16.5 (420)	15.5 (394)	35.6 (905) x 15.9 (405)	L_3030BP
HLS4030	39.4 (1000)	29.5 (750)	12.6 (320)	11.6 (295)	35.6 (905) x 25.8 (655)	L_4030BP
HLA4030	39.4 (1000)	29.5 (750)	16.5 (420)	15.5 (394)	35.6 (905) x 25.8 (655)	L_4030BP
HLS5020	49.2 (1250)	19.7 (500)	12.6 (320)	11.6 (295)	45.5 (1155) x 15.9 (405)	L_5020BP
HLA5020	49.2 (1250)	19.7 (500)	16.5 (420)	15.5 (394)	45.5 (1155) x 15.9 (405)	L_5020BP
HLS5030	49.2 (1250)	29.5 (750)	12.6 (295)	11.6 (295)	45.5 (1155) x 25.8 (655)	L_5030BP
HLA5030	49.2 (1250)	29.5 (750)	16.5 (420)	15.5 (394)	45.5 (1155) x 25.8 (655)	L_5030BP

SUBSTITUTE "A" FOR METAL BACKPLATES; "P" FOR NON-METALLIC BACKPLATES 

METAL BACKPLATE THICKNESS:
SIZES 2020 & 2030 ARE .078[2mm]
ALL OTHER SIZES ARE .098[2.5mm]

NON-METALLIC BACKPLATE THICKNESS:
SIZES 2020 & 2030 ARE .157[4mm]
ALL OTHER SIZES ARE .197[5mm]

Thomas & Betts
www.tnb.com

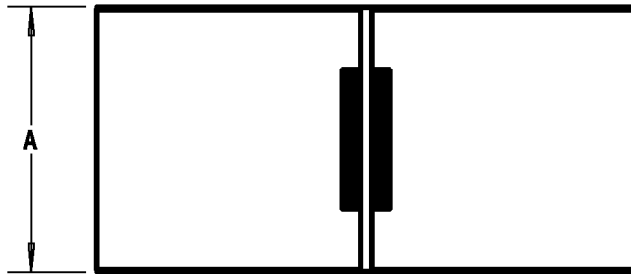
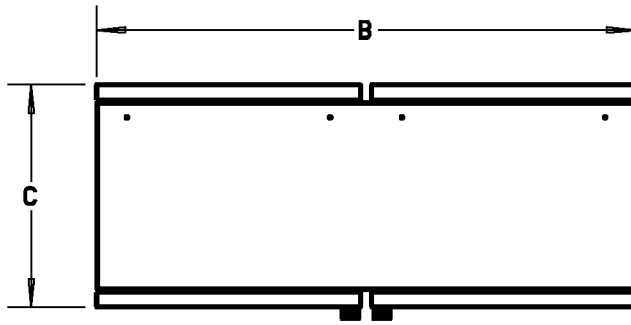
DESCRIPTION: **HIME; HLS & HLA ENCLOSURES**

SHEET NO:
2 OF 3

REV. NO:
E

DRAWING NO:
WSD-AC04081

Carlton®



2 DOOR

PART NUMBER	"A" IN (mm)	"B" IN (mm)	"C" IN (mm)	"D" IN (mm)	OPENING HEIGHT x WIDTH IN (mm)	BACKPLATE PART NO.
HLA30402	29.5 (750)	39.4 (1000)	16.5 (420)	15.5 (394)	25.8 (655) x 15.9 (405)	L_30402BP
HLA40402	39.4 (1000)	39.4 (1000)	16.5 (420)	15.5 (394)	35.6 (905) x 15.9 (405)	L_40402BP
HLA40502	39.4 (1000)	49.2 (1250)	16.5 (420)	15.5 (394)	35.6 (905) x 15.9 (405)	L_40503BP
HLA50402	49.2 (1250)	39.4 (1000)	16.5 (420)	15.5 (394)	45.5 (1155) x 15.9 (405)	L_50402BP
HLS30402	29.5 (750)	39.4 (1000)	12.6 (320)	11.6 (295)	25.8 (655) x 15.9 (405)	L_30402BP
HLS40402	39.4 (1000)	39.4 (1000)	12.6 (320)	11.6 (295)	35.6 (905) x 15.9 (405)	L_40402BP
HLS40502	39.4 (1000)	49.2 (1250)	12.6 (320)	11.6 (295)	35.6 (905) x 15.9 (405)	L_40503BP
HLS50402	49.2 (1250)	39.4 (1000)	12.6 (320)	11.6 (295)	45.5 (1155) x 15.9 (405)	L_50402BP

SUBSTITUTE "A" FOR METAL BACKPLATES; "P" FOR NON-METALLIC BACKPLATES

METAL BACKPLATE THICKNESS:
SIZES 2020 & 2030 ARE .078[2mm]
ALL OTHER SIZES ARE .098[2.5mm]

NON-METALLIC BACKPLATE THICKNESS:
SIZES 2020 & 2030 ARE .157[4mm]
ALL OTHER SIZES ARE .197[5mm]

Thomas & Betts
www.tnb.com

DESCRIPTION: **HIMEL HLA & HLA ENCLOSURES**

SHEET NO:
3 OF 3

REV. NO:
E

DRAWING NO:
WSD-AC04081