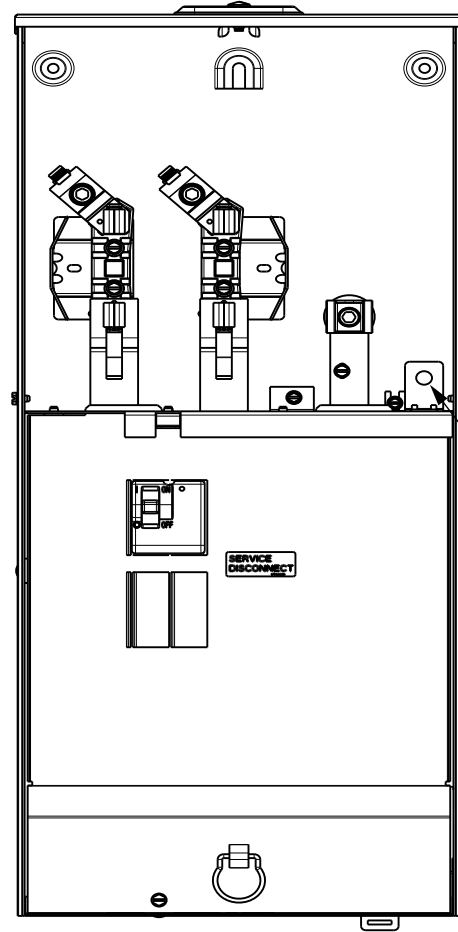


Catalog Number: LG0202B1150RBC

Features and Ratings

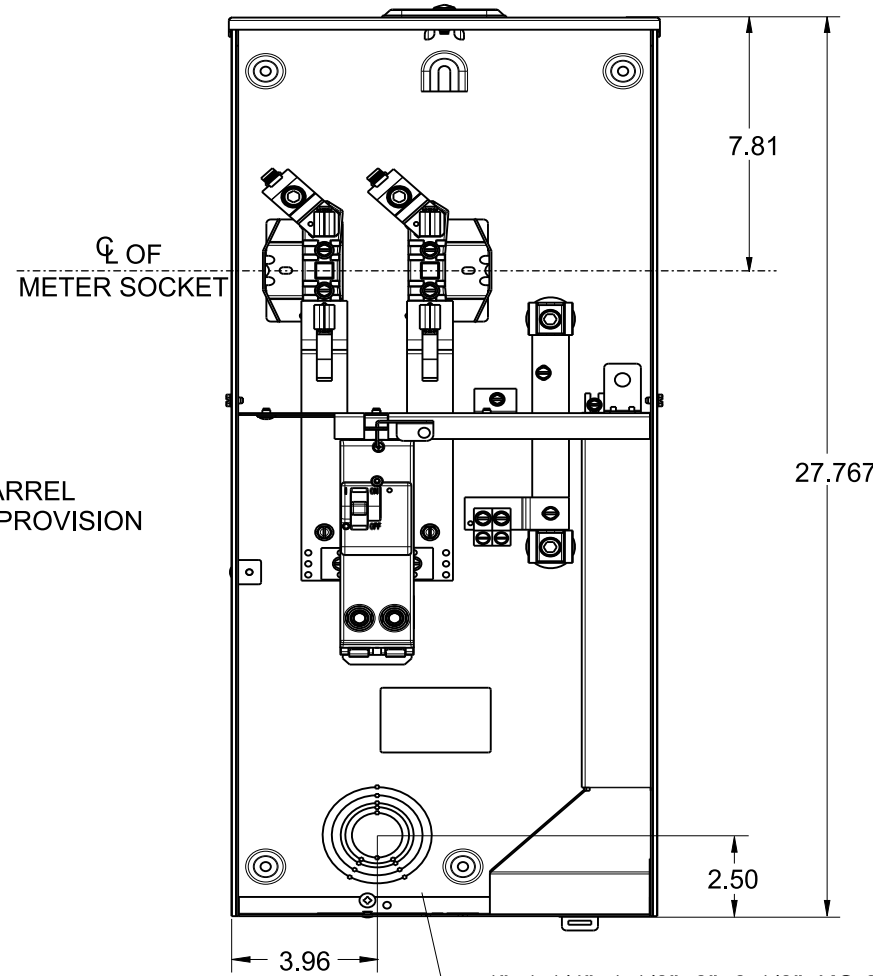
- Outdoor Enclosure (NEMA Type 3R)
- Painted G90 Steel
- 1 Phase, 3 Wire, 600V AC
- 150A Breaker Factory Installed
- Meter Socket Rating: 150A Continuous
- 4 Jaw Meter Socket, Ringless Type Meter Cover
- 10,000 AIC Max. Rated (See Wiring Diagram for Details)
- For Overhead or Underground Service
- RX (Small) Hub Opening, Cover Plate Installed
- 7/8" Barrel Lock Provision

View Shown Without Covers

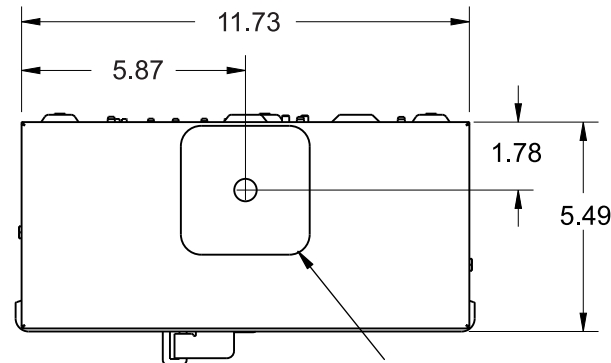
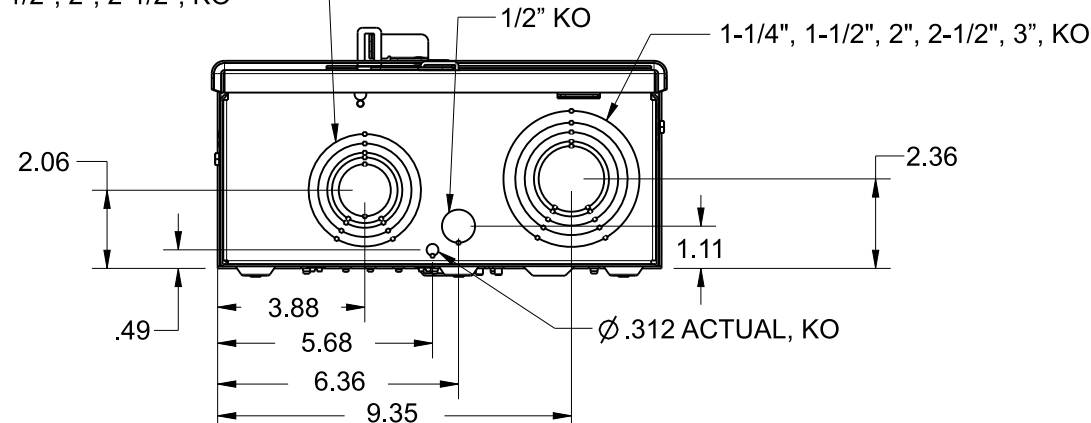


7/8" BARREL LOCK PROVISION

View Shown Without Covers, Door, Deadfront



1", 1-1/4", 1-1/2", 2", 2-1/2", KO



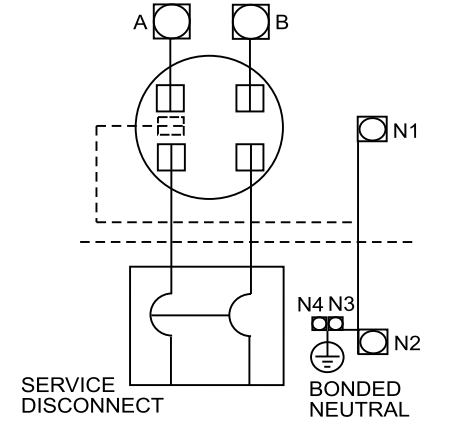
TYPE RX (SMALL) HUB OPENING COVER PLATE INSTALLED

Accessories

TYPE RX HUBS

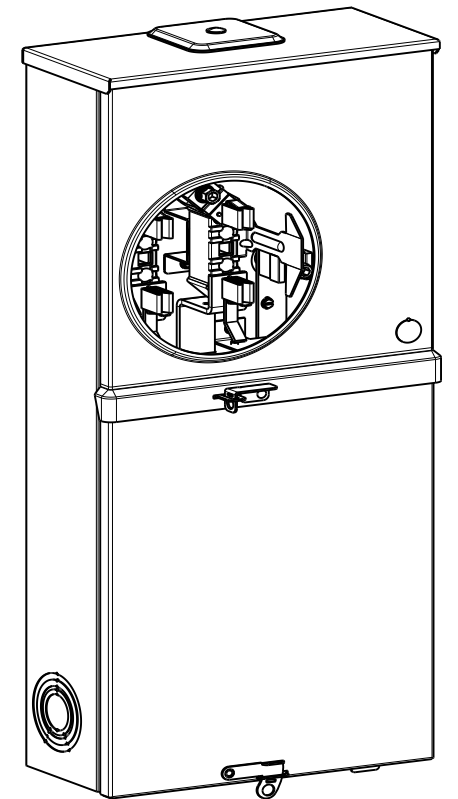
Trade size (in)	Catalog number
1 1/4"	EC38597 or H38597-2
1 1/2"	EC38598 or H38598-2
2"	EC38599 or H38599-2
2 1/2"	EC38600 or H38600-2
Closure plate	EC38595 or H38595-1
5th Jaw.....	Cat. No. EC5J2

Schematic, Torques & Wire Sizes



Terminal	Wire Size	Torque
A, B, N1 & N2	#6-250 kcmil	250 lb-in
N3, N4	#14-2 AWG	50 lb-in

MAIN BREAKER TERMINALS
See markings on breaker for torque requirements and conductor rating.



© 2015 Copyright Siemens Industry, Inc.

TALON

Meter/Breaker Combination

Description:
150A Brkr, OH/UG, Ringless, 4 Jaw, 7/8 BL, Painted G90 Steel

NH 2/6/15 DO NOT SCALE DRAWING Dwg. No. **LG0202B1150RBC**