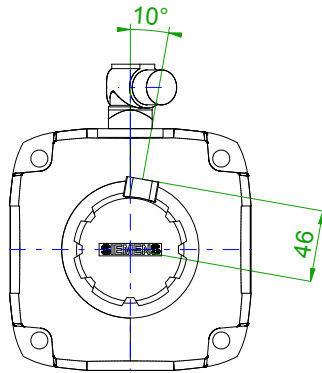
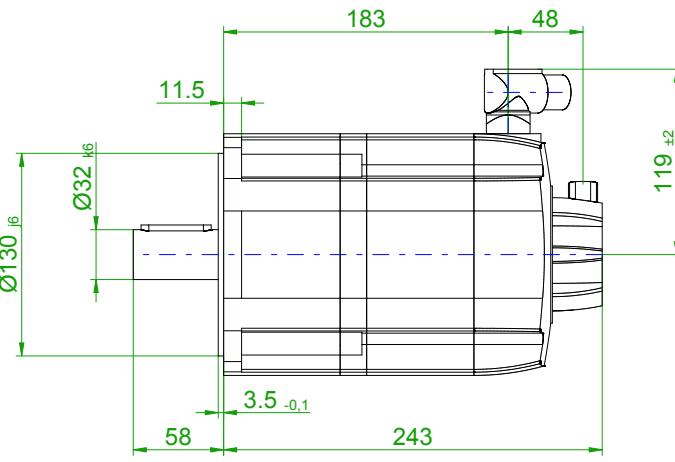
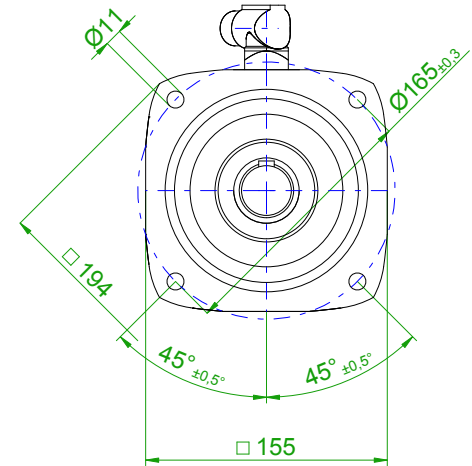


back view

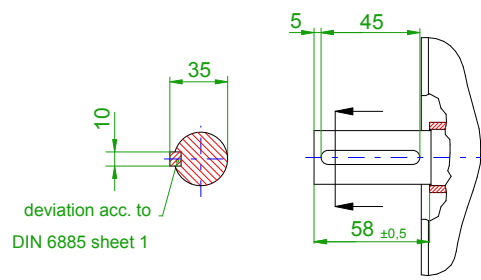


front view

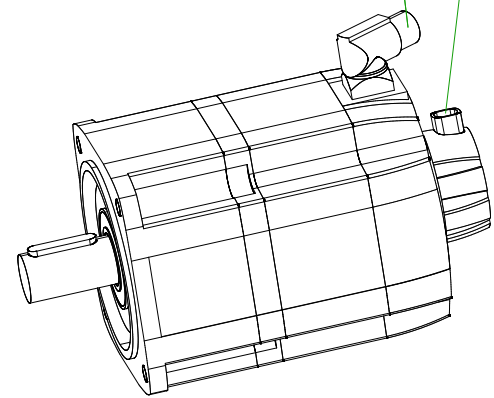
center hole  
DIN 332-DR M12



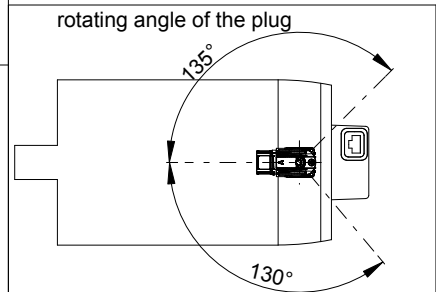
version with featherkey

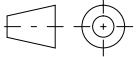


6-pole plug size 1 for power and brake  
10-pole signal plug



rotating angle of the plug



		<b>SIEMENS</b>	
Einheit / unit: mm	Synchron-Servomotor Synchronous Servo Motor:	1FT7082-5AF71-1CB1	
nicht tolerierte Maße / not toleranced dimensions:	Optionen / options:	Gewicht / mass:	18.3 kg
Maßstab / scale: ohne / without	Bemerkung / notice:		
CAD CREATOR 2.2 (WWW-Version V02.20.00.00)	Druckdatum / print date:	18.10.2018	