

	Key for lock IKON, with special lock
<b>Product brand name</b>	SIRIUS ACT
<b>Product designation</b>	Keys
<b>Design of the product</b>	IKON
<b>Product type designation</b>	3SU1
<b>Actuator</b>	
<b>Key number</b>	360012K1
<b>Ambient conditions</b>	
Environmental category during operation acc. to IEC 60721	3M6, 3S2, 3B2, 3C3, 3K6 (with relative air humidity of 10 ... 95 %)
<b>Installation/ mounting/ dimensions</b>	
<b>Height</b>	20 mm
<b>Width</b>	2 mm
<b>Depth</b>	47.5 mm
<b>Accessories</b>	
<b>Material of accessory</b>	Metal
<b>Color of accessory</b>	Silver
<b>Certificates/ approvals</b>	

General Product Approval	Declaration of Conformity	Test Certificates
--------------------------	---------------------------	-------------------



CSA



UL



EG-Konf.

[Miscellaneous](#)

[Type Test Certificates/Test Report](#)

### Marine / Shipping



ABS



LRS



PRS



RINA



RMRS



DNV-GL  
DNVGL.COM/AF

### other

[Confirmation](#)

### Further information

**Information- and Downloadcenter (Catalogs, Brochures,...)**

<https://www.siemens.com/ic10>

**Industry Mall (Online ordering system)**

<https://mall.industry.siemens.com/mall/en/en/Catalog/product?mlfb=3SU1950-0FR80-0AA0-Z Y04>

**Cax online generator**

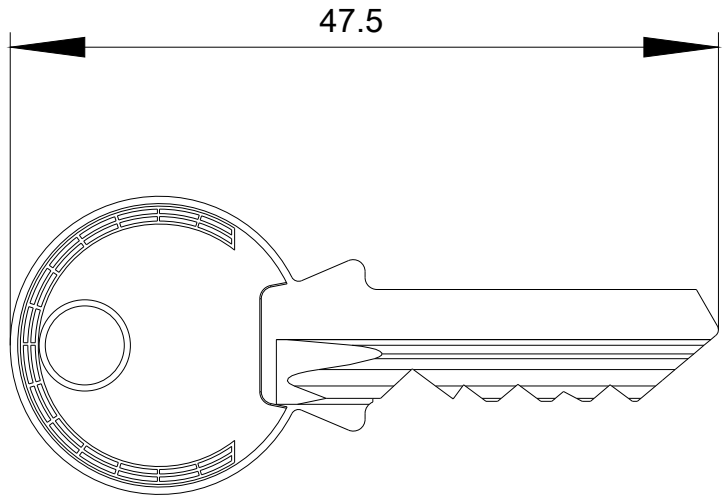
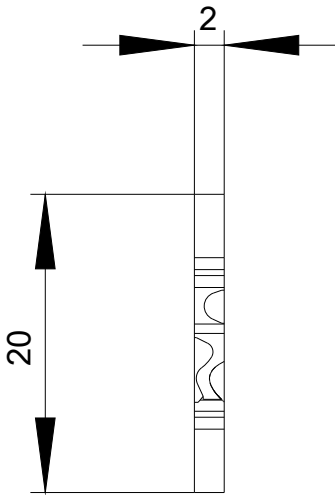
<http://support.automation.siemens.com/WW/CAXorder/default.aspx?lang=en&mlfb=3SU1950-0FR80-0AA0-Z Y04>

**Service&Support (Manuals, Certificates, Characteristics, FAQs,...)**

<https://support.industry.siemens.com/cs/ww/en/ps/3SU1950-0FR80-0AA0-Z Y04>

**Image database (product images, 2D dimension drawings, 3D models, device circuit diagrams, EPLAN macros, ...)**

[http://www.automation.siemens.com/bilddb/cax\\_de.aspx?mlfb=3SU1950-0FR80-0AA0-Z Y04&lang=en](http://www.automation.siemens.com/bilddb/cax_de.aspx?mlfb=3SU1950-0FR80-0AA0-Z Y04&lang=en)



last modified:

02/06/2020