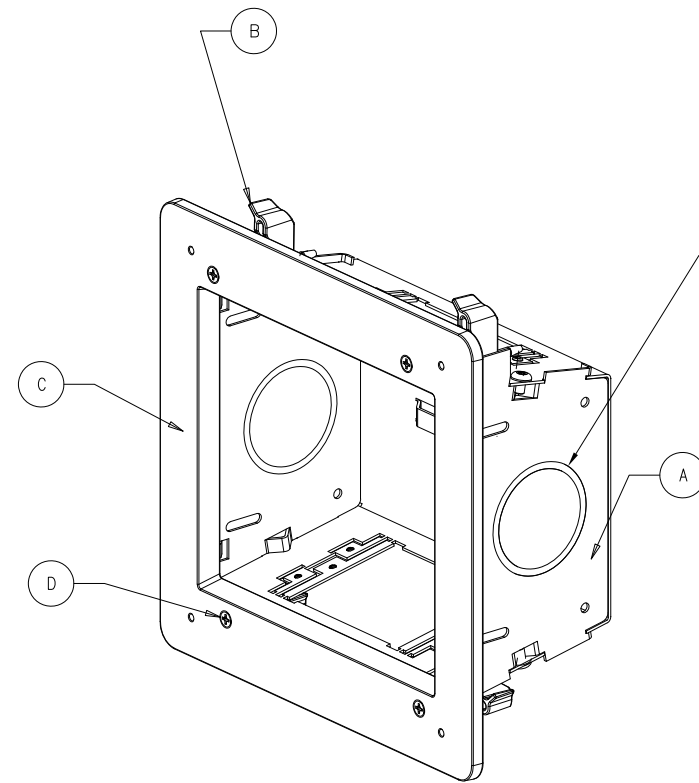
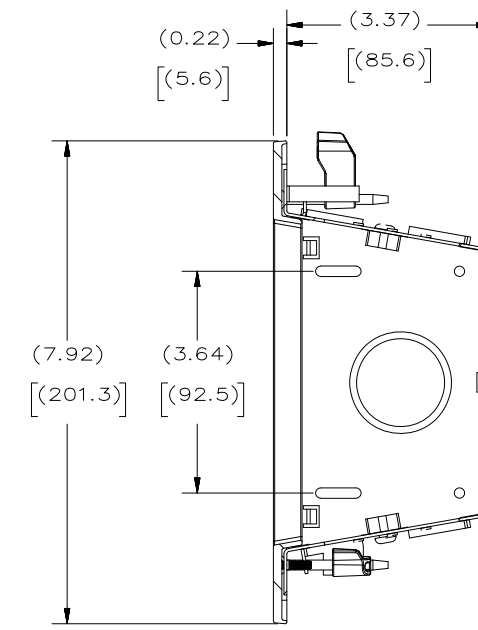
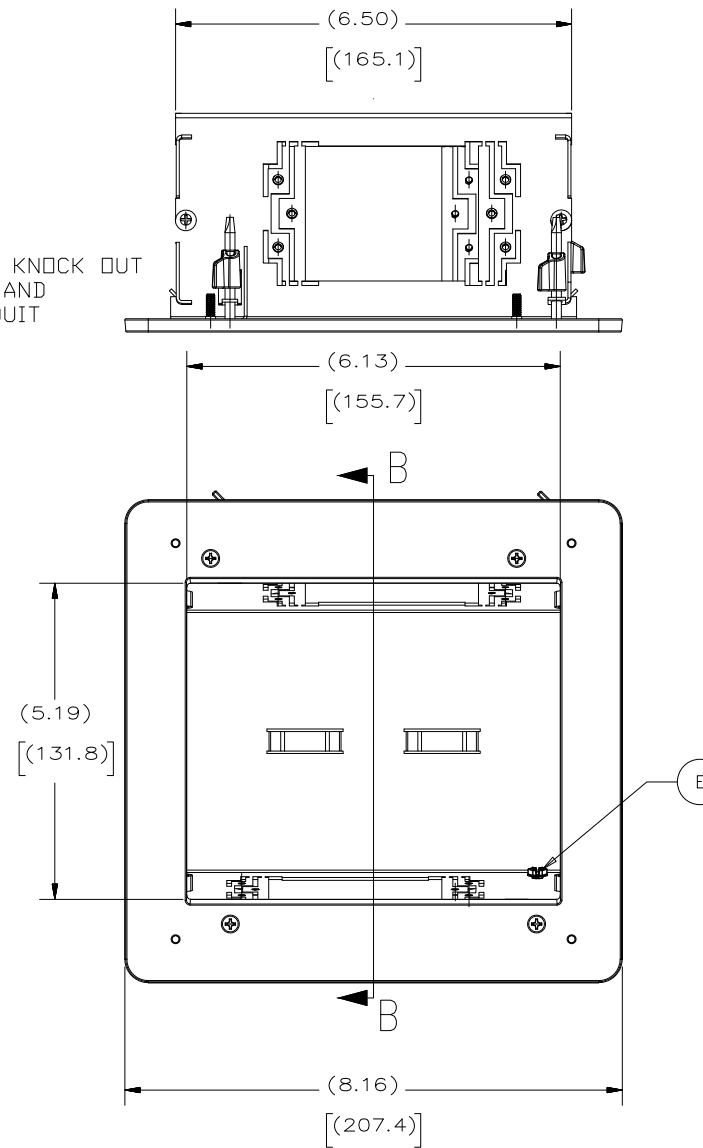


ITEM NO.	DESCRIPTION	QTY.
A	FPTV BOX ASSY, METAL	1
B	SHEETROCK PADDLE	4
C	TRIM BEZEL, PLASTIC	1
D	BEZEL MOUNTING SCREW	4
E	GROUND SCREW	1

CATALOG NUMBER	COLOR	DESCRIPTION
NSAV62M	WHITE	FPTV BOX, 2 GANG, METAL



CONCENTRIC KNOCK OUT FOR 1 1/4" AND 1 1/2" CONDUIT



SECTION B-B

NOTES:

- REFER TO INSTALLATION INSTRUCTIONS.
- SPECIFICATIONS SUBJECT TO CHANGE WITHOUT NOTICE.

REV.	ECN	DATE	DESCRIPTION	CHG BY	APPD BY
3	23910	1/14/20	REVISED VIEWS FOR FEATURE CLARIFICATION	DPO	MMA

Created on AUTOCAD

DIMENSIONING AND TOLERANCE PER ANSI Y14.5M-1982 UNLESS OTHERWISE SPECIFIED, DIMENSIONS ARE IN INCHES (MM). TOLERANCES
 .XX = ±.01 (.25)
 .XXX = ±.005 (.127)
 .XXXX = ±.0025 (.0635)
 ANGLE TOL ±1°

IN ACCEPTING OUR DRAWINGS, BLUEPRINTS, OR SUPPORTING DOCUMENTATION FOR QUOTATION OR OTHER PURPOSES, YOU AGREE NOT TO DISCLOSE TO OTHERS THE IDEAS, INFORMATION, OR DESIGNS SHOWN HEREIN, AND THAT YOU WILL MAKE NO USE OF SAME WITHOUT PERMISSION

PROJECT REFERENCE:
2008-032

MATERIAL:

DRAWN BY:
D.O'CONNOR 5/17/10

CHECKED BY:

APPROVED BY:

HUBBELL Hubbell Premise Wiring
 HUBBELL INCORPORATED (Delaware)
 14 Lord's Hill Road, Stonington, Connecticut 06378

TITLE: FPTV BOX ASSEMBLY
 METAL, WITH PLASTIC TRIM BEZEL

SIZE: **C** DRAWING NO. **HWS12701C** REV. **3**

SCALE: 1/1 SHEET 1 OF 1