



Load disconnecter 3LD3, Iu 32 A Main switch 3-pole Rated operating capacity for AC-23 A at 400V 11.5kW floor mounting Basic switch with door coupling Central hole mounting 22.5mm Toggle drive black 48x48 mm with auxiliary switch 1OE + 1S

Model	
product brand name	SETRON
product designation	Switch disconnecter
design of the product	Main switch
display version for switch position indicator manual operation	1 ON - 0 OFF
type of switch	Floor mounting with door coupling
design of the actuating element	selector switch
color of the actuating element	black
design of handle	knob-operated mechanism, black
type of the driving mechanism motor drive	No
General technical data	
number of poles	3
number of poles note	3
mechanical service life (operating cycles) typical	100 000
electrical endurance (operating cycles)	
• at AC-23 A at 690 V	6 000
operating frequency maximum	50 1/h
degree of pollution	3
Voltage	
insulation voltage rated value	690 V
surge voltage resistance rated value	6 kV
operating voltage	
• at AC rated value	690 V
operating frequency rated value	
• minimum	50 Hz
• maximum	60 Hz
Protection class	
protection class IP	IP65
degree of protection NEMA rating	1, 3R, 4X, 12
protection class IP on the front	IP65
Dissipation	
power loss [W] for rated value of the current at AC in hot operating state per pole	1.8 W
Main circuit	
operational current	
• at AC-21 at 690 V rated value	32 A
• at AC-21 A at 240 V rated value	32 A
• at AC-21 A at 400 V rated value	32 A
• at AC-21 A at 440 V rated value	32 A
• at AC-23 A at 400 V rated value	22 A

operating power	
<ul style="list-style-type: none"> <li>• at AC-23 A at 240 V rated value</li> <li>• at AC-23 A at 400 V rated value</li> <li>• at AC-23 A at 440 V rated value</li> <li>• at AC-23 A at 690 V rated value</li> <li>• at AC-3 at 240 V rated value</li> <li>• at AC-3 at 400 V rated value</li> <li>• at AC-3 at 690 V rated value</li> </ul>	<p>6 kW 12 kW 11.5 kW 12 kW 5.5 kW 10 kW 9.5 kW</p>

**Auxiliary circuit**

number of CO contacts for auxiliary contacts	0
number of NC contacts for auxiliary contacts	1
number of NO contacts for auxiliary contacts	1
operating voltage of auxiliary contacts at AC maximum	500 V
continuous current of the auxiliary contact rated value	10 A
insulation voltage of the auxiliary switch rated value	500 V

**Suitability**

suitability for use	
<ul style="list-style-type: none"> <li>• main switch</li> <li>• switch disconnecter</li> <li>• EMERGENCY OFF switch</li> <li>• safety switch</li> <li>• maintenance/repair switch</li> </ul>	<p>Yes Yes No Yes Yes</p>

**Product details**

special product feature	Can be locked in zero position
product feature can be locked into OFF position	Yes

**accessories**

product extension optional	
<ul style="list-style-type: none"> <li>• motor drive</li> <li>• voltage trigger</li> </ul>	<p>No No</p>
number of connectable NC contacts for auxiliary contacts attachable maximum	2
number of connectable NO contacts for auxiliary contacts attachable maximum	4
number of connectable CO contacts for auxiliary contacts attachable maximum	0
number of bracket locks maximum	2
hasp thickness of the bracket locks	4 ... 6 mm

**Short circuit**

conditional short-circuit current with line-side fuse protection	
<ul style="list-style-type: none"> <li>• at 440 V by gG fuse rated value</li> <li>• at 690 V by gG fuse rated value</li> </ul>	<p>10 kA 6 kA</p>
let-through current with closed switch	
<ul style="list-style-type: none"> <li>• at 240 V for combination switch + gG fuse maximum</li> <li>• at 440 V for combination switch + gG fuse maximum</li> <li>• at 690 V for combination switch + gG fuse maximum permissible</li> </ul>	<p>4.5 kA 4.5 kA 5 kA</p>
I <sup>2</sup> t value with closed switch	
<ul style="list-style-type: none"> <li>• at 240 V for combination switch + gG fuse maximum</li> <li>• at 440 V for combination switch + gG fuse maximum</li> <li>• at 690 V for combination switch + gG fuse maximum</li> </ul>	<p>9 kA<sup>2</sup>.s 9 kA<sup>2</sup>.s 9 kA<sup>2</sup>.s</p>
design of the fuse link	
<ul style="list-style-type: none"> <li>• for short-circuit protection of the main circuit required</li> <li>• for short-circuit protection of the auxiliary switch required</li> </ul>	<p>fuse gL/gG: 40 A fuse gL/gG: 10 A</p>
operational current of upstream fuse rated value	32 A

**according UL**

operational current at AC according to UL 508/UL 60947-4-1 rated value	32 A
operating voltage at AC at 50/60 Hz according to UL 508/UL 60947-4-1 rated value	600 V
active power [hp] at AC at 480 V according to UL 508/UL 60947-4-1 rated value	20
active power [hp] at AC at 600 V according to UL 508/UL 60947-4-1 rated value	20

short-time withstand current (SCCR) at 600 V according to UL 508/UL 60947-4-1	5 kA
continuous current of upstream fuse according to UL rated value	50 A
type of fuse according to UL	RK5

### Connections

<b>AWG number as coded connectable conductor cross section solid maximum</b>	
•	6
•	14
<b>type of connectable conductor cross-sections for copper conductor</b>	
• solid	1x (2.5 to 16 mm <sup>2</sup> )
• finely stranded with core end processing	1x (2.5...16 mm <sup>2</sup> )
• stranded	1x (2.5 to 16 mm <sup>2</sup> )
<b>type of connectable conductor cross-sections for auxiliary contacts</b>	
• solid	2x (0.75 ... 2.5 mm <sup>2</sup> ), 1x 4 mm <sup>2</sup>
• finely stranded with core end processing	2x (0.75 ... 1.5 mm <sup>2</sup> ), 1x 2.5 mm <sup>2</sup>
• stranded	2x (0.75 ... 2.5 mm <sup>2</sup> ), 1x 4 mm <sup>2</sup>
<b>type of electrical connection</b>	
• for main current circuit	box terminal
• for auxiliary contacts	Box terminals

### Mechanical Design

<b>height</b>	60 mm
<b>width</b>	47 mm
<b>depth</b>	380 mm
<b>type of device</b>	fixed mounting
<b>fastening method</b>	Built-in unit fixed-mounted version
<b>fastening method</b>	
• 4-hole front mounting	No
• front mounting with central attachment	Yes
• rail mounting	Yes
<b>net weight</b>	300 g

### Environmental conditions

<b>ambient temperature during operation</b>	
• minimum	-25 °C
• maximum	55 °C
<b>ambient temperature during storage</b>	
• minimum	-25 °C
• maximum	55 °C

### Approvals Certificates

#### General Product Approval



[Confirmation](#)



<b>other</b>	<b>Environment</b>
--------------	--------------------

[Confirmation](#)

[Miscellaneous](#)

[Environmental Con-  
firmations](#)

[Environmental Con-  
firmations](#)

### Further information

Information on the packaging

<https://support.industry.siemens.com/cs/ww/en/view/109813875>

Information- and Downloadcenter (Catalogs, Brochures,...)

<http://www.siemens.com/lowvoltage/catalogs>

Industry Mall (Online ordering system)

<https://mall.industry.siemens.com/mall/en/en/Catalog/product?mlfb=3LD3240-1TK11>

Service&Support (Manuals, Certificates, Characteristics, FAQs,...)

<https://support.industry.siemens.com/cs/ww/en/ps/3LD3240-1TK11>

Image database (product images, 2D dimension drawings, 3D models, device circuit diagrams, ...)

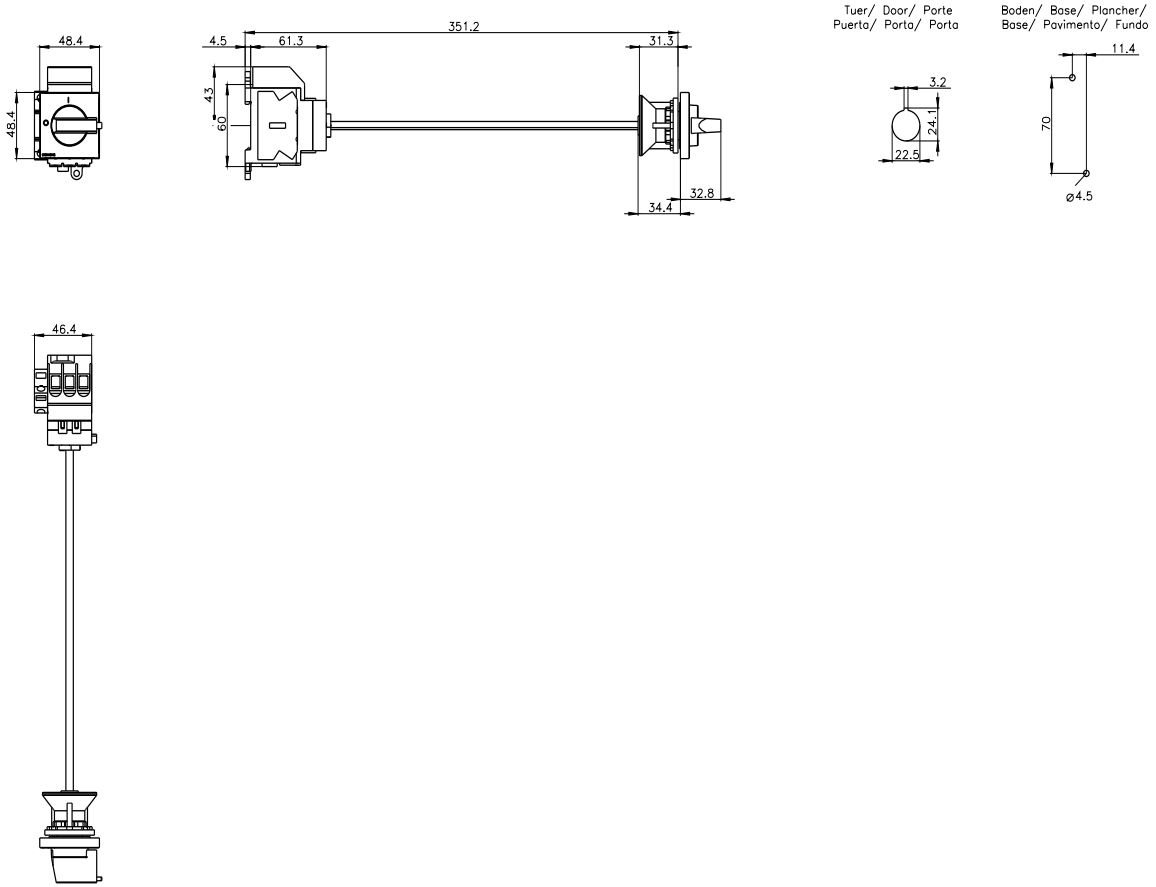
[http://www.automation.siemens.com/bilddb/cax\\_en.aspx?mlfb=3LD3240-1TK11](http://www.automation.siemens.com/bilddb/cax_en.aspx?mlfb=3LD3240-1TK11)

CAX-Online-Generator

<http://www.siemens.com/cax>

Tender specifications

<http://www.siemens.com/specifications>



last modified:

6/20/2023

