

Siemens
EcoTech



circuit breaker 3VA6 UL Frame 600 breaking capacity class E 200 kA @ 480 V 3-pole, line protection ETU320, LI, In=400 A overload protection Ir=240A ... 400A short-circuit protection Ii=1.5...9 x In without connection



| Model | |
|--|-----------------------------|
| product brand name | SENTRON |
| product designation | Molded-case circuit breaker |
| product designation / according to UL file | ELAE |
| design of the product | System protection |
| design of the load switch / according to UL 489 / Heating, Air Conditioning, and Refrigeration circuit breaker (HACR Type) | Yes |
| design of the overcurrent release | ETU320 |
| protection function of the overcurrent release | LI |
| number of poles | 3 |
| General technical data | |
| insulation voltage / rated value | 800 V |
| operating voltage / at AC / rated value | 690 V |
| power loss [W] / maximum | 70 W |
| power loss [W] / for rated value of the current / at AC / in hot operating state / per pole | 23.33 W |
| mechanical service life (operating cycles) / typical | 20 000 |
| electrical endurance (operating cycles) / at AC-1 / at 380/415 V | 4 000 |
| electrical endurance (operating cycles) / at AC-1 / at 690 V | 3 500 |
| electrical endurance (operating cycles) / at 480 V | 4 000 |
| electrical endurance (operating cycles) / at 600 V | 3 500 |
| product feature / for neutral conductors / upgradable/retrofitable / short-circuit and overload proof | No |
| ground-fault monitoring version | without |
| product function | |
| • communication function | No |
| • other measurement function | No |
| Net Weight | 4.887 kg |
| Current | |
| marking / according to UL 489 / 100%-rated breaker | No |
| operational current | |
| • at 40 °C | 400 A |
| • at 45 °C | 400 A |
| • at 50 °C | 400 A |
| • at 55 °C | 400 A |
| • at 60 °C | 400 A |
| • at 65 °C | 400 A |
| • at 70 °C | 400 A |

Switching capacity according to IEC 60947

| | |
|--|--------|
| switching capacity class of the circuit breaker | E |
| maximum short-circuit current breaking capacity (I _{cu}) | |
| • at 415 V | 150 kA |
| • at 690 V | 6 kA |
| operating short-circuit current breaking capacity (I _{cs}) | |
| • at 415 V | 150 kA |
| • at 690 V | 6 kA |
| short-circuit current making capacity (I _{cm}) | |
| • at 415 V | 330 kA |
| • at 690 V | 9 kA |

Switching capacity according to UL 489

| | |
|---------------------------|--------|
| current breaking capacity | |
| • at 480 V | 200 kA |
| • at 600 V | 100 kA |

Adjustable parameters

| | |
|---|---------|
| adjustable response value setting current (I _r) / of the L-trip / with I _{2t} characteristic | |
| • minimum | 150 A |
| • maximum | 400 A |
| adjustable response value delay time (t _r) / for L-tripping / with I _{2t} characteristic | |
| • minimum | 0.5 s |
| • maximum | 17 s |
| adjustable response value setting current (I _i) / for I-tripping | |
| • minimum | 600 A |
| • maximum | 4 800 A |
| adjustable setting current (I _{nN}) / for N-tripping | |
| • minimum | 0 A |
| • maximum | 0 A |
| product function / grounding protection | No |

Mechanical Design

| | |
|------------------------|---------|
| product component | |
| • undervoltage release | No |
| • voltage trigger | No |
| • trip indicator | No |
| height [in] | 9.76 in |
| height | 248 mm |
| width [in] | 5.43 in |
| width | 138 mm |
| depth [in] | 4.33 in |
| depth | 110 mm |

Connections

| | |
|---|--------------------|
| arrangement of electrical connectors / for main current circuit | Without connection |
| type of electrical connection / for main current circuit | Without |

Auxiliary circuit

| | |
|--|---|
| number of CO contacts / for auxiliary contacts | 0 |
|--|---|

Accessories

| | |
|--|-----|
| product extension / optional / motor drive | Yes |
|--|-----|

Environmental conditions

| | |
|------------------------------------|--------|
| protection class IP / on the front | IP40 |
| ambient temperature | |
| • during operation / minimum | -25 °C |
| • during operation / maximum | 70 °C |
| • during storage / minimum | -40 °C |
| • during storage / maximum | 80 °C |

Environmental footprint

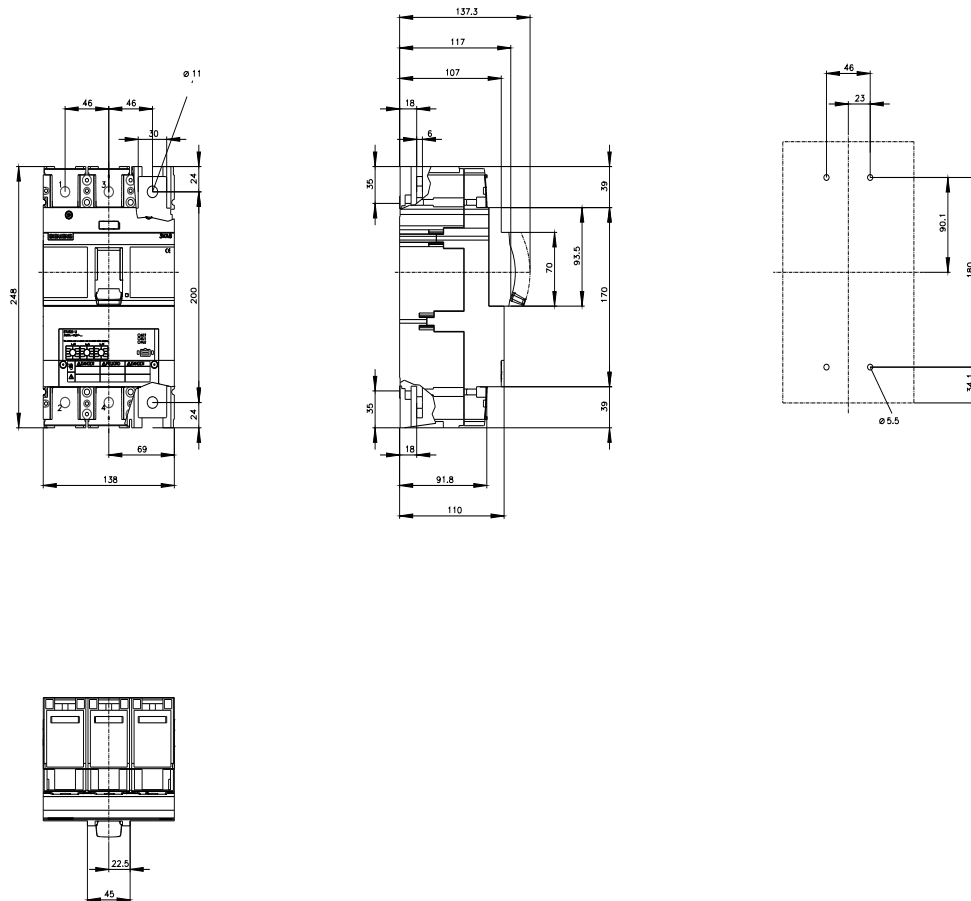
| | |
|--|----------|
| global warming potential [CO ₂ eq] / total | 495 kg |
| global warming potential [CO ₂ eq] / during manufacturing | 28.7 kg |
| global warming potential [CO ₂ eq] / during operation | 470 kg |
| global warming potential [CO ₂ eq] / after end of life | -4.07 kg |

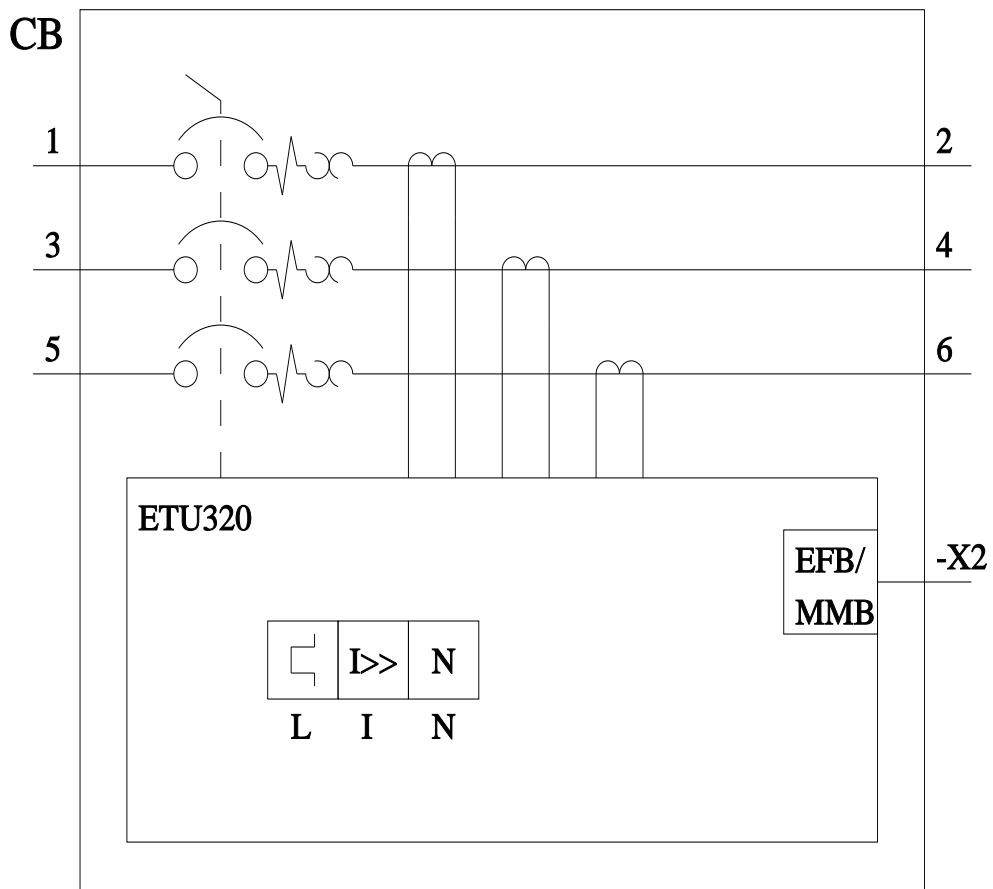
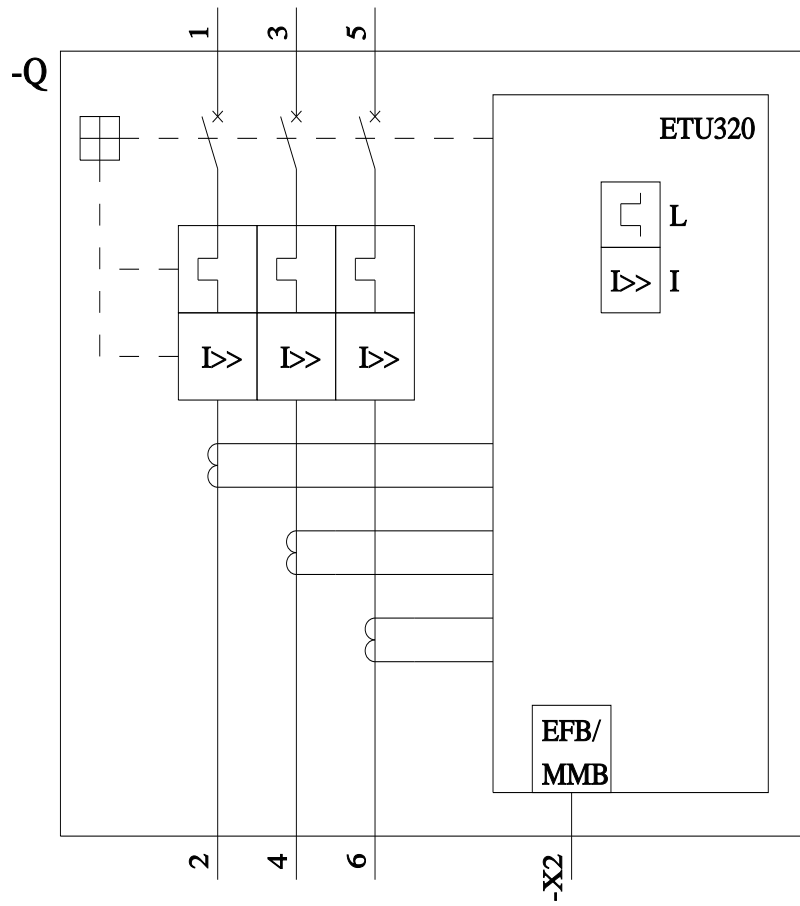
| | |
|---|-----------------|
| Siemens Eco Profile (SEP) | Siemens EcoTech |
| reference code / according to IEC 81346-2 | Q |
| Approvals / Certificates | |
| General Product Approval | |



Further information

- Information on the packaging
<https://support.industry.siemens.com/cs/ww/en/view/109813875>
- Information- and Downloadcenter (Catalogs, Brochures,...)
<http://www.siemens.com/lowvoltage/catalogs>
- Industry Mall (Online ordering system)
<https://mall.industry.siemens.com/mall/en/en/Catalog/product?mlfb=3VA6440-0HL31-0AA0>
- Service&Support (Manuals, Certificates, Characteristics, FAQs,...)
<https://support.industry.siemens.com/cs/ww/en/ps/3VA6440-0HL31-0AA0>
- Image database (product images, 2D dimension drawings, 3D models, device circuit diagrams, ...)
http://www.automation.siemens.com/bilddb/cax_en.aspx?mlfb=3VA6440-0HL31-0AA0
- CAX-Online-Generator
<http://www.siemens.com/cax>
- Tender specifications
<http://www.siemens.com/specifications>





last modified:

8/11/2025

