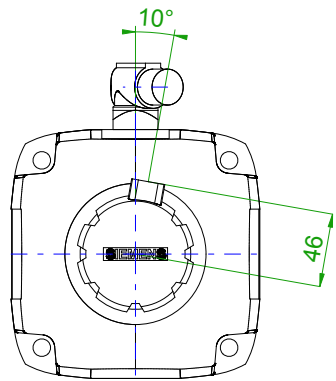
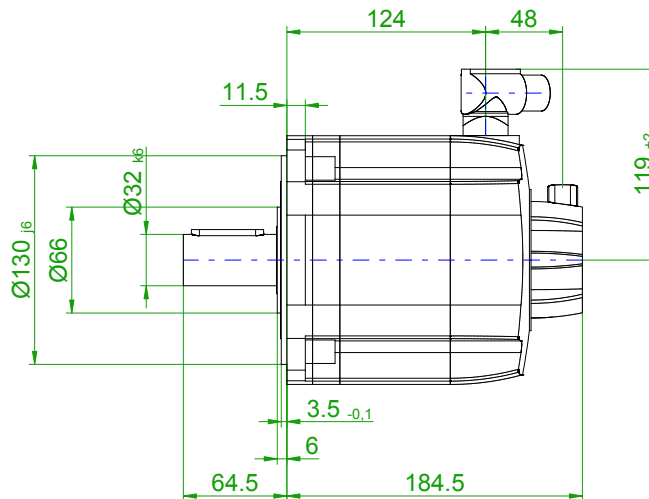
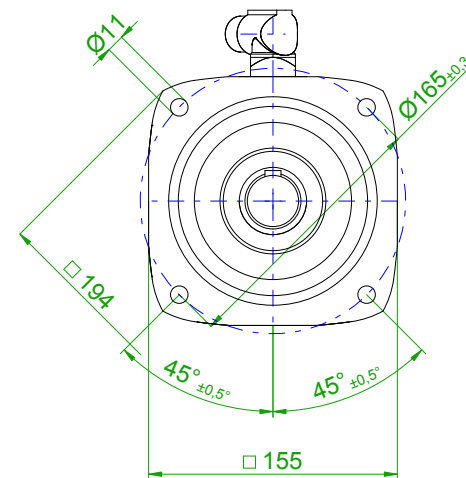


back view

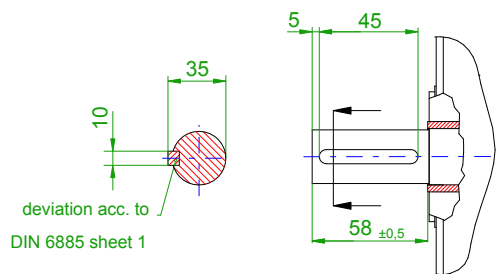


front view

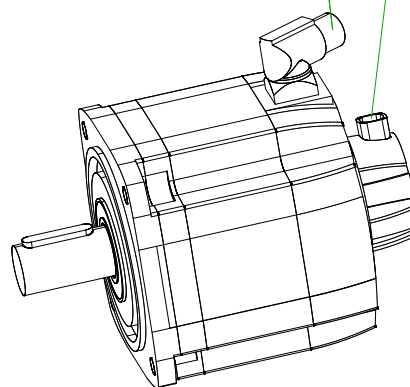
center hole  
DIN 332-DR M12



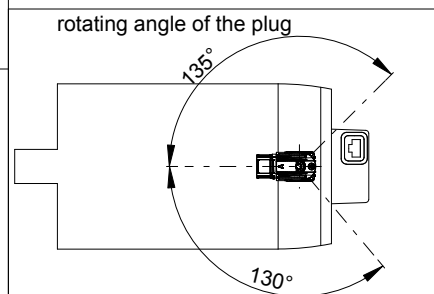
version with featherkey


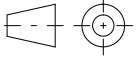


6-pole plug size 1 for power  
10-pole signal plug



rotating angle of the plug



	
	Synchron-Servomotor Synchronous Servo Motor:
Einheit / unit: mm	1FT7082-5AC70-1BA0
nicht tolerierte Maße / not toleranced dimensions:	Optionen / options:
Maßstab / scale: ohne / without	Gewicht / mass: 14.0 kg
CAD CREATOR 2.2 (WWW-Version V02.20.00.00)	Bemerkung / notice:
±1	Druckdatum / print date: 28.11.2018