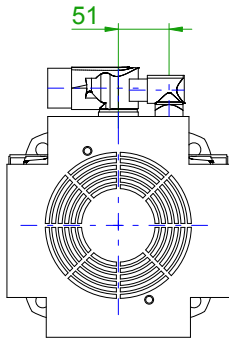
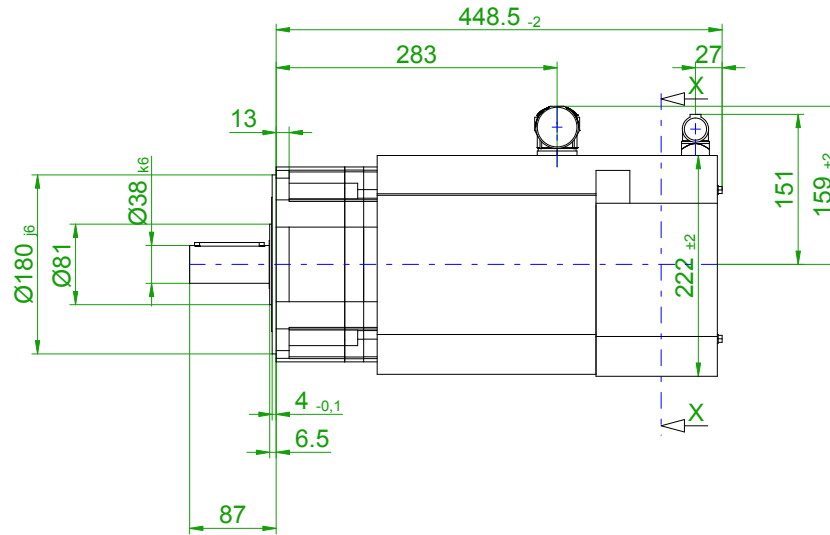
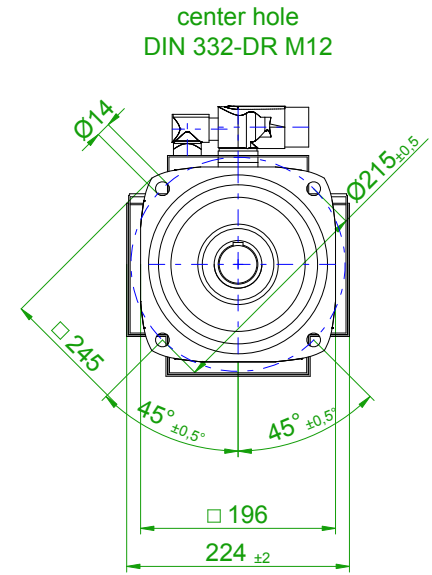


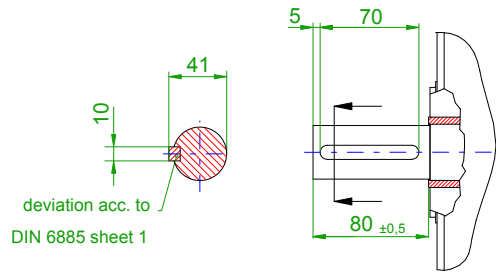
back view



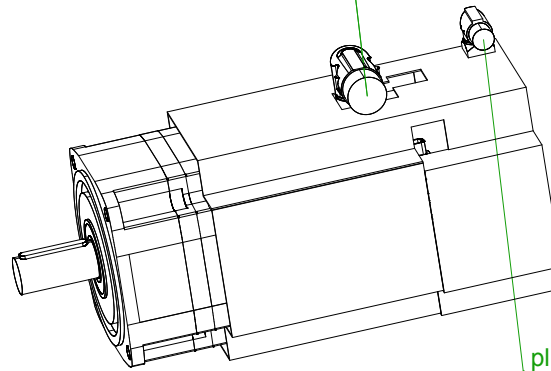
front view



version with featherkey

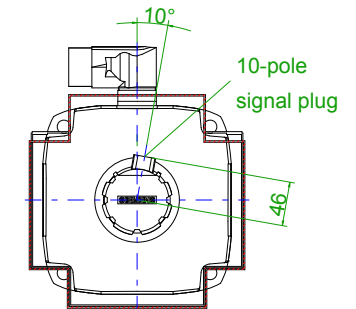


6-pole plug size 1.5 for power and brake

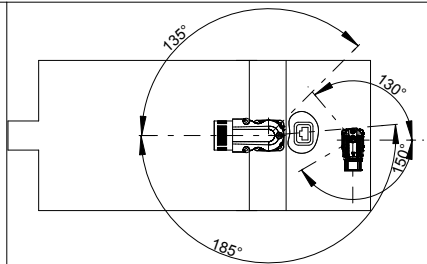
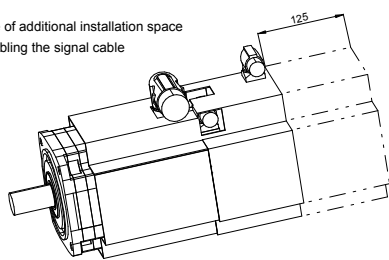


plug for fan port

X-X



Take care of additional installation space for assembling the signal cable



Einheit / unit: mm	Synchron-Servomotor Synchronous Servo Motor: 1FT7105-5SC70-1BB3
nicht tolerierte Maße / not toleranced dimensions: ±1	Optionen / options:
Maßstab / scale: ohne / without	Gewicht / mass: 56.1 kg
CAD CREATOR 2.2 (WWW-Version V02.20.00.00)	Bemerkung / notice:
	Druckdatum / print date: 06.02.2020