

Mushroom pushbutton, 22 mm, round, metal, shiny, red, 30 mm, momentary contact type



|                          |                             |
|--------------------------|-----------------------------|
| Product brand name       | SIRIUS ACT                  |
| Product designation      | Mushroom pushbuttons        |
| Design of the product    | Actuating/signaling element |
| Product type designation | 3SU1                        |

| Enclosure                |   |
|--------------------------|---|
| Number of command points | 1 |

| Actuator                                    |                        |
|---|------------------------|
| Manner of function of the actuating element | momentary contact type |
| Product extension optional Light source     | No                     |
| Color                                       |                        |
| • of the actuating element                  | red                    |
| Material of the actuating element           | plastic                |
| Shape of the actuating element              | round                  |
| Outer diameter of the actuating element     | 30 mm                  |
| Number of switching positions               | 2                      |

| Front ring                   |          |
|------------------------------|----------|
| Product component front ring | Yes      |
| Design of the front ring     | Standard |

|                                   |                   |
|-----------------------------------|-------------------|
| <b>Material of the front ring</b> | Metal, high gloss |
| <b>Color of the front ring</b>    | silver            |

### General technical data

|   |                                   |
|---|-----------------------------------|
| <b>Product function</b>                           |                                   |
| • EMERGENCY OFF function                          | No                                |
| • EMERGENCY STOP function                         | No                                |
| <b>Protection class IP</b>                        | IP66, IP67, IP69(IP69K)           |
| <b>Degree of protection NEMA rating</b>           | NEMA 1, 2, 3, 3R, 4, 4X, 12, 13   |
| <b>Shock resistance</b>                           |                                   |
| • acc. to IEC 60068-2-27                          | Sinusoidal half-wave 50 g / 11 ms |
| <b>Vibration resistance</b>                       |                                   |
| • acc. to IEC 60068-2-6                           | 10 ... 500 Hz: 5g                 |
| <b>Operating frequency maximum</b>                | 3 600 1/h                         |
| <b>Mechanical service life (switching cycles)</b> |                                   |
| • typical   | 10 000 000                        |
| <b>Reference code acc. to DIN EN 81346-2</b>      | S                                 |
| <b>Reference code acc. to DIN EN 61346-2</b>      | S                                 |

### Ambient conditions

|   |   |
|---|---|
| <b>Ambient temperature</b>                                |   |
| • during operation  | -25 ... +70 °C  |
| • during storage  | -40 ... +80 °C  |
| Environmental category during operation acc. to IEC 60721 | 3M6, 3S2, 3B2, 3C3, 3K6 (with relative air humidity of 10 ... 95 %) |

### Installation/ mounting/ dimensions

|  |         |
|--|---------|
| <b>Height</b>                                      | 30 mm   |
| <b>Width</b>                                       | 30 mm   |
| <b>Shape of the installation opening</b>           | round   |
| <b>Mounting diameter</b>                           | 22.3 mm |
| <b>Positive tolerance of installation diameter</b> | 0.4 mm  |
| <b>Mounting height</b>                             | 27.5 mm |
| <b>Installation width</b>                          | 30 mm   |
| <b>Installation depth</b>                          | 24.4 mm |

### Certificates/ approvals

| General Product Approval | Declaration of Conformity | Test Certificates |
|--------------------------|---------------------------|-------------------|
|--------------------------|---------------------------|-------------------|



[Miscellaneous](#)

[Type Test Certificates/Test Report](#)

### Marine / Shipping



### other

[Confirmation](#)

### Further information

**Information- and Downloadcenter (Catalogs, Brochures,...)**

[www.siemens.com/sirius/catalogs](http://www.siemens.com/sirius/catalogs)

**Industry Mall (Online ordering system)**

<https://mall.industry.siemens.com/mall/en/en/Catalog/product?mlfb=3SU1050-1AD20-0AA0>

**Cax online generator**

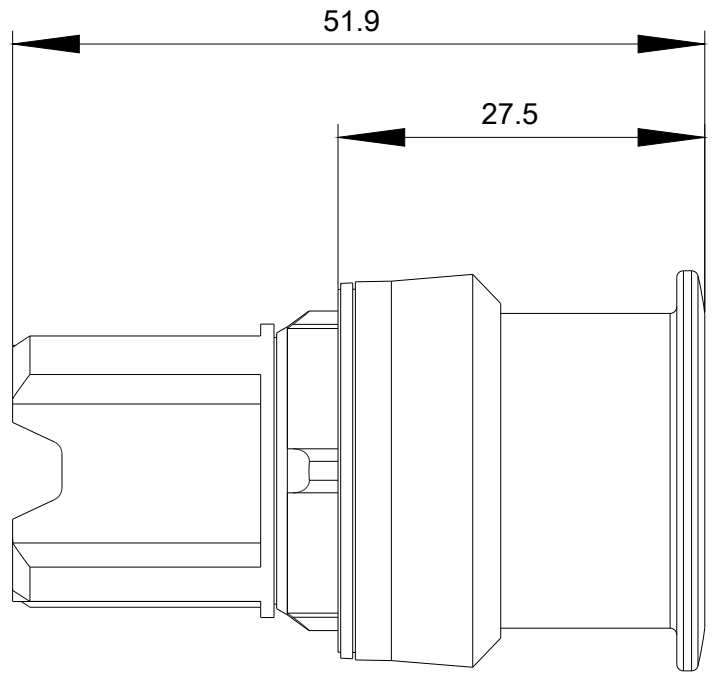
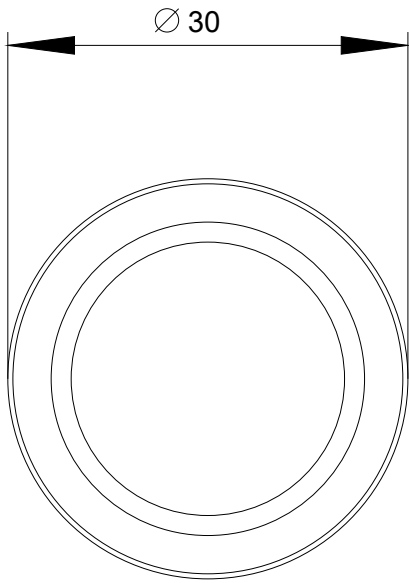
<http://support.automation.siemens.com/WW/CAXorder/default.aspx?lang=en&mlfb=3SU1050-1AD20-0AA0>

**Service&Support (Manuals, Certificates, Characteristics, FAQs,...)**

<https://support.industry.siemens.com/cs/ww/en/ps/3SU1050-1AD20-0AA0>

**Image database (product images, 2D dimension drawings, 3D models, device circuit diagrams, EPLAN macros, ...)**

[http://www.automation.siemens.com/bilddb/cax\\_de.aspx?mlfb=3SU1050-1AD20-0AA0&lang=en](http://www.automation.siemens.com/bilddb/cax_de.aspx?mlfb=3SU1050-1AD20-0AA0&lang=en)



last modified:

10/30/2019