

Article No. : 1FK2308-4AB10-0MB0

Client order no. :
Order no. :
Offer no. :
Remarks :

Item no. :
Consignment no. :
Project :



Figure similar

Basic motor data

Motor type	Permanent-magnet synchronous motor, Natural cooling, IP64
Motor type	High Inertia
Static torque	22.00 Nm
Static current	7.1 A
Maximum torque	66.00 Nm
Maximum current	25.0 A
Maximum speed	3,000 rpm
Rotor moment of inertia	74.4000 kgcm ²
Weight	20.5 kg

Rated data

SINAMICS S120, BLM/SLM 3AC 400V

Rated speed	1,500 rpm
Rated torque	18.60 Nm
Rated current	6.4 A
Rated power	2.90 kW

Encoder system

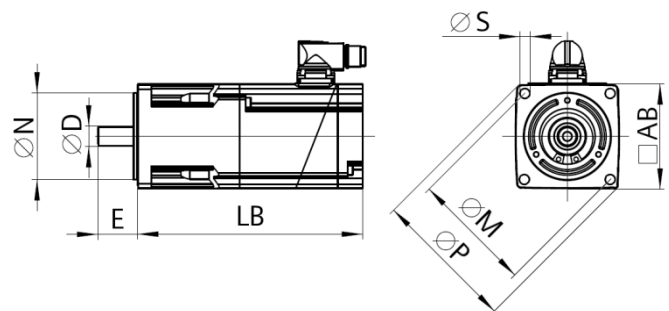
Encoder system	Encoder AM22DQC: Absolute encoder 22 bit + 12 bit multitrurn
----------------	--

Motor connection

Connection type	Double cable connection for S120
Connector size	M23

Mechanical data

Design acc. to Code I	IM B5 (IM V1, IM V3)
Vibration severity grade	Grade A
Shaft height	80
Flange size (AB)	155 mm
Centering ring (N)	130 mm
Hole circle (M)	165 mm
Screw-on hole (S)	11.0 mm
Overall length (LB)	290 mm
Diameter of shaft (D)	32 mm
Length of shaft (E)	58 mm
Length of flange diagonal (P)	200 mm
Shaft end	Plain shaft
Color of the housing	Standard (Anthracite, similar to RAL 7016)



Holding brake

Holding torque	32.00 Nm
Average dynamic torque	17.00 Nm
Opening time	200 ms
Closing time	60 ms
Maximum single switching energy ¹⁾	4,800 J
Service life, operating energy	2,400,000 J
Rated current ²⁾	0.9 A

¹⁾ Up to three consecutive emergency stops and up to 25% of all emergency stops as a Wmax high energy stop possible.

²⁾ Typical value for 20°C ambient temperature. At -15°C the brake-induced currents can be increased by up to 30%.