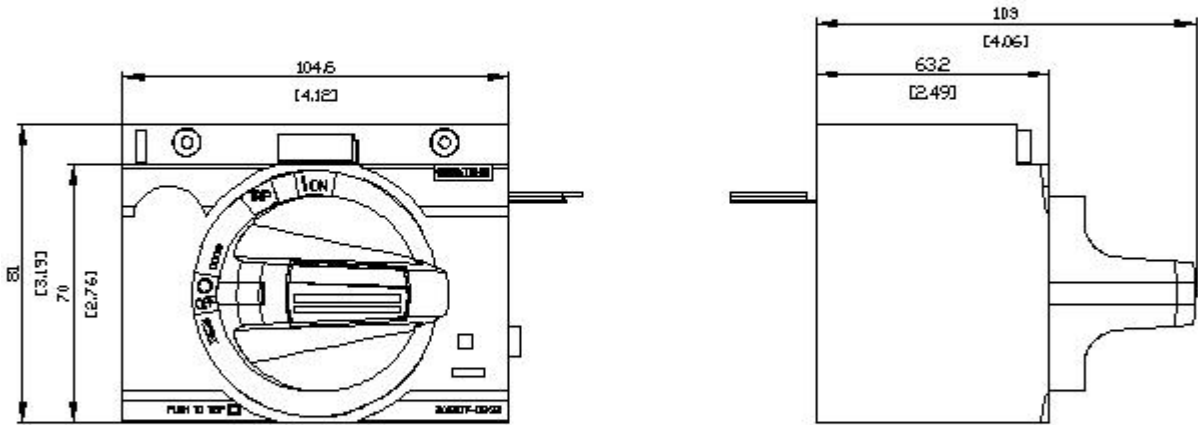


front mounted rotary operator standard IP30 NEMA type 1,.. with door interlock 24V DC lighting kit and door open position accessory for: 3VA6 150/250 3VA5 250



Model	
product brand name	SETRON
product designation	Accessories
Product version	Front rotary operating mechanism
Accessories	Front rotary operator
General technical data	
degree of protection NEMA rating	NEMA 1
protection class IP	IP30
Mechanical Design	
Height	82 mm
Width	105 mm
depth	106 mm
net weight	361 g
Further information	
Information- and Downloadcenter (Catalogs, Brochures,...) http://www.siemens.com/lowvoltage/catalogs	
Industry Mall (Online ordering system) https://mall.industry.siemens.com/mall/en/en/Catalog/product?mlfb=3VA9277-0EK33	
Service&Support (Manuals, Certificates, Characteristics, FAQs,...) https://support.industry.siemens.com/cs/ww/en/ps/3VA9277-0EK33	
Image database (product images, 2D dimension drawings, 3D models, device circuit diagrams, ...) http://www.automation.siemens.com/bilddb/cax_en.aspx?mlfb=3VA9277-0EK33	
CAX-Online-Generator http://www.siemens.com/cax	
Tender specifications http://www.siemens.com/specifications	



last modified:

12/20/2020 