

Indicator lights, 22 mm, round, plastic, red, lens, smooth, with holder, LED module, with integrated LED 230 V AC, spring-type terminal, Z=20-unit packaging



Product brand name	SIRIUS ACT
Product designation	Indicator lights
Design of the product	Complete unit
Product type designation	3SU1
Product line	Plastic, black, 22 mm
Manufacturer's article number	
<ul style="list-style-type: none"> • of supplied LED module • of the supplied holder • of supplied repeater 	3SU1401-1BF20-3AA0 3SU1500-0AA10-0AA0 3SU1001-6AA20-0AA0

Enclosure

Number of command points	1
--------------------------	---

Actuator

Product extension optional Light source	Yes
Color	
<ul style="list-style-type: none"> • of the actuating element 	red
Material of the actuating element	plastic
Shape of the actuating element	round
Outer diameter of the actuating element	29.45 mm

Front ring	
Product component front ring	No
Holder	
Material of the holder	Plastic
Display	
Number of LED modules	1
General technical data	
Product component	Yes
• Light source	
Insulation voltage	320 V
• rated value	
Degree of pollution	3
Surge voltage resistance rated value	4 kV
Protection class IP	IP66, IP67, IP69(IP69K)
• of the terminal	IP20
Degree of protection NEMA rating	NEMA 1, 2, 3, 3R, 4, 4X, 12, 13
Shock resistance	Sinusoidal half-wave 50 g / 11 ms
• acc. to IEC 60068-2-27	
• for railway applications acc. to DIN EN 61373	Category 1, Class B
Vibration resistance	10 ... 500 Hz: 5g
• acc. to IEC 60068-2-6	
• for railway applications acc. to DIN EN 61373	Category 1, Class B
Reference code acc. to DIN EN 81346-2	P
Reference code acc. to DIN EN 61346-2	P
Supply voltage	
Type of voltage of the supply voltage	AC
• of the light source	
Supply voltage of the light source at AC	230 V
• at 50 Hz rated value	
• at 60 Hz rated value	230 V
Relative negative tolerance of the supply voltage	20 %
Relative positive tolerance of the supply voltage	20 %
Control circuit/ Control	
Inrush current maximum	3 A
Connections/ Terminals	
Type of electrical connection	Spring-type terminal
• of modules and accessories	
Type of connectable conductor cross-sections	2x (0.25 ... 1.5 mm ²)
• solid without core end processing	
• finely stranded with core end processing	2x (0.25 ... 0.75 mm ²)

<ul style="list-style-type: none"> • finely stranded without core end processing • at AWG conductors 	2x (0.25 ... 1.5 mm ²) 2x (24 ... 16)
Tightening torque of the screws in the bracket	1 ... 1.2 N·m

Lamp

Type of light source	LED
Color of the light source	red
Light intensity	450 ... 1 120 mcd

Ambient conditions

Ambient temperature	
<ul style="list-style-type: none"> • during operation • during storage 	-25 ... +70 °C -40 ... +80 °C
Environmental category during operation acc. to IEC 60721	3M6, 3S2, 3B2, 3K6 (with relative air humidity of 10 ... 95 %, no condensation in operation permitted for all devices behind front panel)

Installation/ mounting/ dimensions

Mounting type	front panel mounting
<ul style="list-style-type: none"> • of modules and accessories 	Front plate mounting
Height	40 mm
Width	30 mm
Shape of the installation opening	round
Mounting diameter	22.3 mm
Positive tolerance of installation diameter	0.4 mm
Mounting height	11.8 mm
Installation width	29.5 mm
Installation depth	49.7 mm

Certificates/ approvals

General Product Approval	Declaration of Conformity	Test Certificates
--------------------------	---------------------------	-------------------



CSA



UL



EG-Konf.

[Miscellaneous](#)

[Type Test Certificates/Test Report](#)

Marine / Shipping



ABS



LRS



PRS



RINA



RMRS



DNVGL.COM/AF

other

[Confirmation](#)

Further information

Information- and Downloadcenter (Catalogs, Brochures,...)

<https://www.siemens.com/ic10>

Industry Mall (Online ordering system)

<https://mall.industry.siemens.com/mall/en/en/Catalog/product?mlfb=3SU1106-6AA20-3AA0-Z X90>

Cax online generator

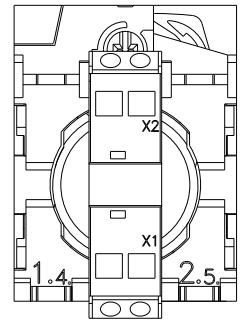
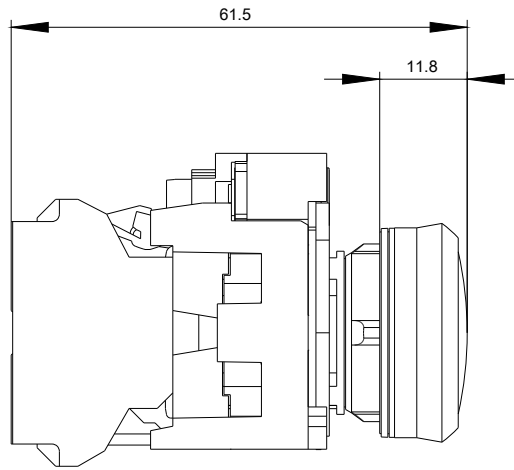
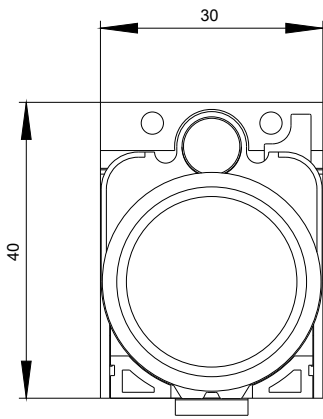
<http://support.automation.siemens.com/WW/CAXorder/default.aspx?lang=en&mlfb=3SU1106-6AA20-3AA0-Z X90>

Service&Support (Manuals, Certificates, Characteristics, FAQs,...)

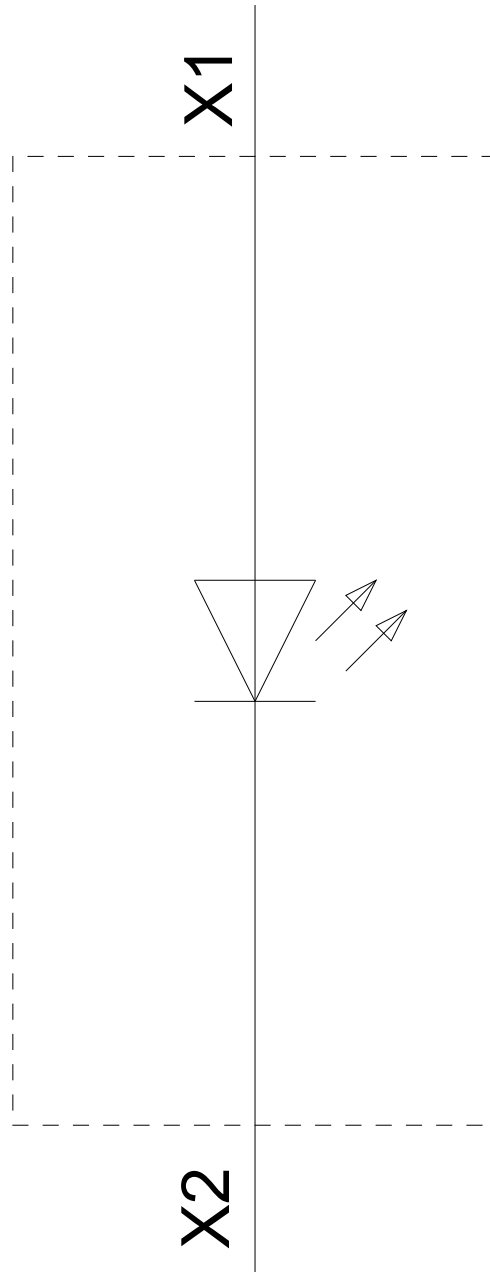
<https://support.industry.siemens.com/cs/ww/en/ps/3SU1106-6AA20-3AA0-Z X90>

Image database (product images, 2D dimension drawings, 3D models, device circuit diagrams, EPLAN macros, ...)

http://www.automation.siemens.com/bilddb/cax_de.aspx?mlfb=3SU1106-6AA20-3AA0-Z X90&lang=en



230 V AC
-P



last modified:

02/06/2020