

side wall mounted rot. operator standard IEC IP65 with mounting bracket
accessory for: 3VA20/21/22



Model	
product brand name	SENTRON
product designation	side wall-mounted rotary operator
accessories	Side panel rotary operating mechanism
General technical data	
protection class IP	IP65
Mechanical Design	
height	82 mm
Certificates	

General Product Approval	EMV	Marine / Shipping
--------------------------	-----	-------------------



EG-Konf.



[Miscellaneous](#)



RCM



LRS

other	Environment
-------	-------------

[Miscellaneous](#)

[Confirmation](#)

[Miscellaneous](#)

[Environmental Con-
firmations](#)

[Environmental Con-
firmations](#)

Further information

Information on the packaging

<https://support.industry.siemens.com/cs/ww/en/view/109813875>

Information- and Downloadcenter (Catalogs, Brochures,...)

<http://www.siemens.com/lowvoltage/catalogs>

Industry Mall (Online ordering system)

<https://mall.industry.siemens.com/mall/en/en/Catalog/product?mlfb=3VA9267-0PK51>

Service&Support (Manuals, Certificates, Characteristics, FAQs,...)

<https://support.industry.siemens.com/cs/ww/en/ps/3VA9267-0PK51>

Image database (product images, 2D dimension drawings, 3D models, device circuit diagrams, ...)

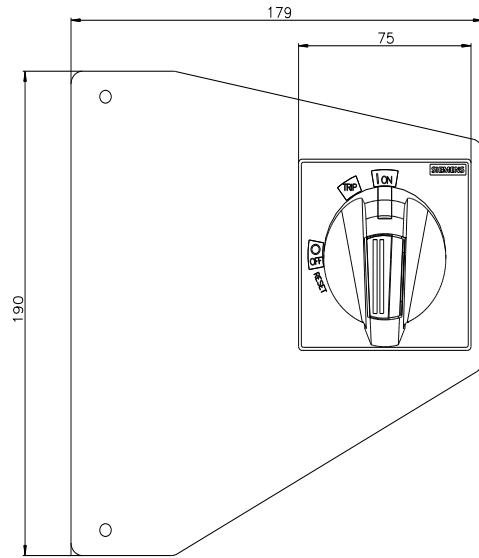
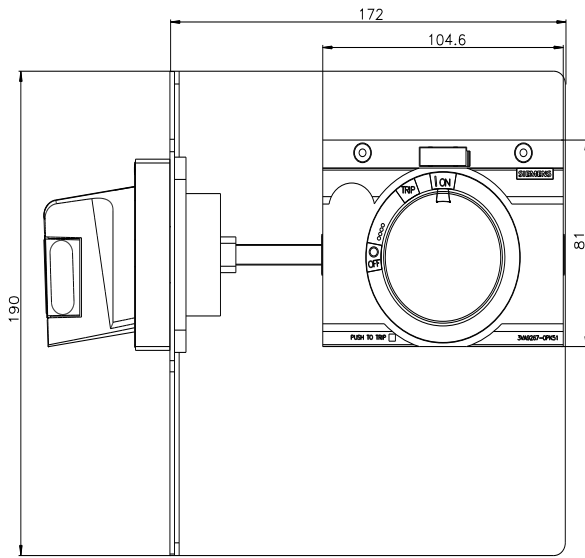
http://www.automation.siemens.com/bilddb/cax_en.aspx?mlfb=3VA9267-0PK51

CAX-Online-Generator

<http://www.siemens.com/cax>

Tender specifications

<http://www.siemens.com/specifications>



last modified:

8/10/2024 