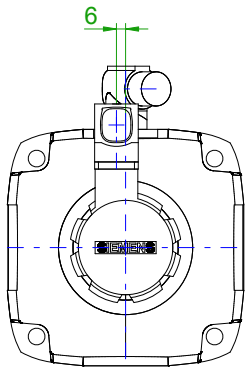
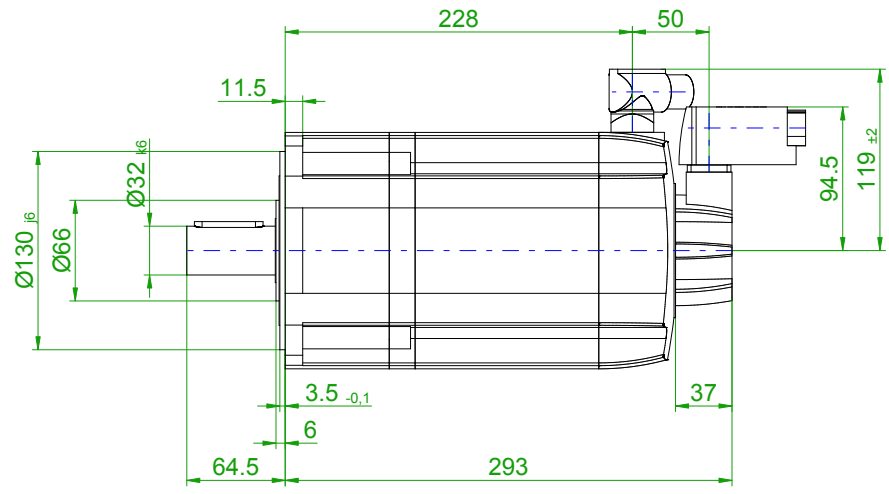
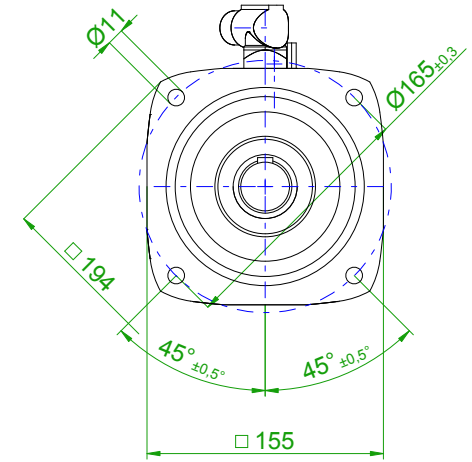


back view

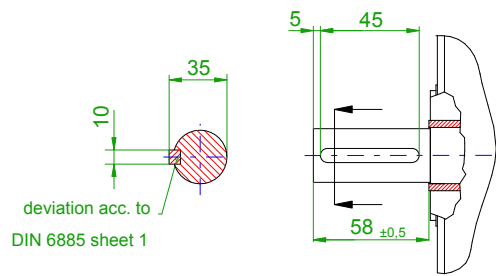


front view

center hole
DIN 332-DR M12



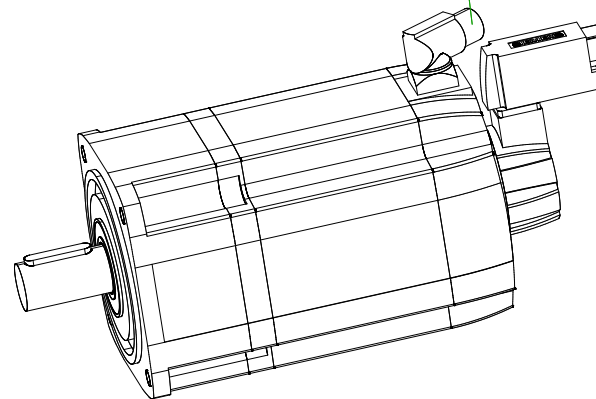
version with featherkey



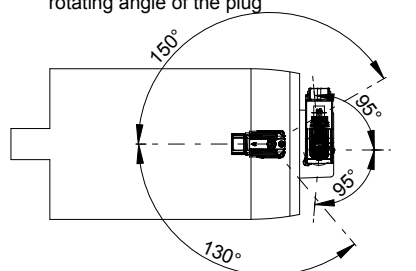
deviation acc. to
DIN 6885 sheet 1

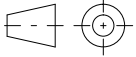
6-pole plug size 1
for power and brake

10-pole
signal plug



rotating angle of the plug



		SIEMENS	
Einheit / unit: mm	Synchron-Servomotor Synchronous Servo Motor:	1FT7084-5AC70-1DE1	
nicht tolerierte Maße / not toleranced dimensions:	Optionen / options:	Gewicht / mass:	25.1 kg
Maßstab / scale: ohne / without	Bemerkung / notice:		
CAD CREATOR 2.2 (WWW-Version V02.20.00.00)	Druckdatum / print date:	02.12.2019	