



**Reduced voltage pump panel with fusible disconnect**  
**Two step part winding**  
**Controller half size 3 1/2**  
**Maximum voltage rating 240VAC**  
**Max Hp 60Hz: NA@200V; 60@230V; NA@460V; NA@575V**  
**Solid-state overload relay**  
**Control voltage 110VAC 50Hz / 120VAC 60Hz**  
**NEMA Type 3/3R enclosure**



Image is representative and may not depict the actual product.

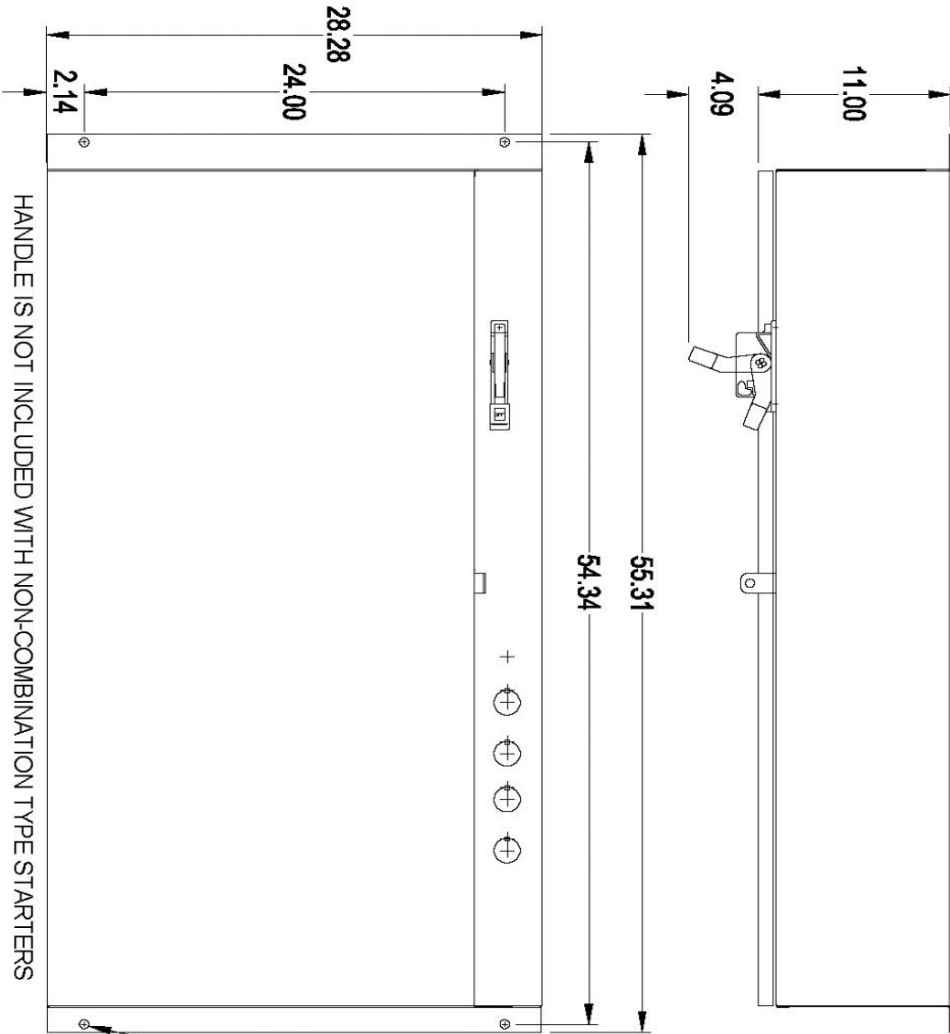
<b>General technical data:</b>	
Weight	175 lb
Height x Width x Depth	55 x 28 x 11 in.
Finger-safe (main circuit / control circuit)	NA / NA
Maximum altitude	6560 ft
Ambient storage temperature	(-30 to 65)°C / (-22 to 149)°F
Ambient operating temperature	(-20 to 40)°C / (-4 to 104)°F
Humidity (% non-condensing)	(no data)
Rated impulse voltage resistance	(no data)
Rated insulation voltage	(no data)
Country of origin	USA
<b>Contactors:</b>	
Number of NO main contacts	3
Amp rating	115A
Mechanical operating cycles	5,000,000
<b>Internal/standard auxiliary contact:</b>	
Number of NC / NO auxiliary contacts	0NC / 1NO
Rating	10A@600VAC (A600), 5A@600VDC (P600)
<b>Optional auxiliary contact:</b>	
Max number of NC / NO auxiliary contacts	7 total
Rating	10A@600VAC (A600), 5A@600VDC (P600)
<b>Coil:</b>	
Voltage	110VAC 50Hz / 120VAC 60Hz Coil
Sealed watts	14W
Inrush / sealed power	310 / 26 VA
Normal coil operating limits (% of rated voltage)	85% - 110%
Typical drop-out volts (% of rated voltage)	50%
Pick-up time / Drop-out time	26-41 / 14-19 msec
<b>Overload Relay:</b>	
Current range	50–200A
Trip Class	Class 5 / 10 (factory set) / 20 / 30
Trip detection	Overload, phase failure, phase unbalance, ground fault
Phase failure sensitivity	Trip time after phase-loss: < 3 sec
Repeat accuracy	Within 1%
Reset options	Manual, automatic and remote
External reset	Yes
Test function	Electronics & manual actuation
Conformal coating on printed circuit board	Yes
Number of NC / NO auxiliary contacts per overload relay	1NC / 1NO
Rating of auxiliary contacts	5A@600VAC (B600), 1A@250VDC (R300)
Single contact isolation	600V
Dual contact isolation	300V differing polarity / 600V common polarity

<b>Disconnect Switch:</b>	
Rating	200A with 200A/250V Class R fuse clips
Fuse type accepted	Class R
<b>Enclosure:</b>	
Type	NEMA Type 3/3R enclosure
Rating	Weather proof for outdoor use
<b>Mounting/wiring:</b>	
Mounting orientation	Vertical
Mounting type	Surface
Line side connection type / torque	Box lug / (refer to actual product for torque specs)
Line side solid & stranded conductors	1x(6 AWG - 300 kcmil) 75°C AL or CU
Load side connection type / torque	Box lug / 120 lb-in.
Load side solid & stranded conductors	1x(14 - 2/0 AWG) 75°C AL or CU
Coil connection type / torque	Screw / 5 lb in. - 12 lb in.
Coil solid & stranded conductors	2 x (16 - 12 AWG) CU 60/75°C
Main auxiliary contact connection type / torque	Screw / 10 - 15 lb-in
Main auxiliary contact solid & stranded conductors	1 x (12 AWG), 2 x (16 - 14 AWG), 2 x (18 - 16 AWG) 75°C CU
OLR auxiliary contact connection type / torque	Screw / 7 lb in. - 10 lb in.
OLR auxiliary contact solid & stranded conductors	2 x (20 - 14 AWG) CU 60/75°C
<b>Short circuit current rating:</b>	
Fuses	10kA@600V (Class H or K); 100kA@600V (Class R or J)
<b>Certificates/approvals:</b>	
	<a href="#">UL (file no. E185287)</a>
	<a href="#">cUL (file no. E185287 for Canada)</a>
	<a href="#">CSA (file no. 006535_C_000)</a>
	<a href="#">ISO 9001 certification</a>
<b>Additional information:</b>	
	<a href="#">Brochure</a>
	<a href="#">OLR instruction sheet &amp; trip curves</a>

# SIEMENS

49EB3610552911 Outline 55X29X11 NEMA 1,3R,4,4X,12

E87010-A0320-T005-A4-49EB



MOUNTING HOLES FOR  
1/4" SCREWS QTY. 4

HANDLE IS NOT INCLUDED WITH NON-COMBINATION TYPE STARTERS

DIMENSIONS ARE IN INCHES.

REF. D68374002

Siemens Industry, Inc. 5300 Triangle Parkway, Norcross, GA 30092

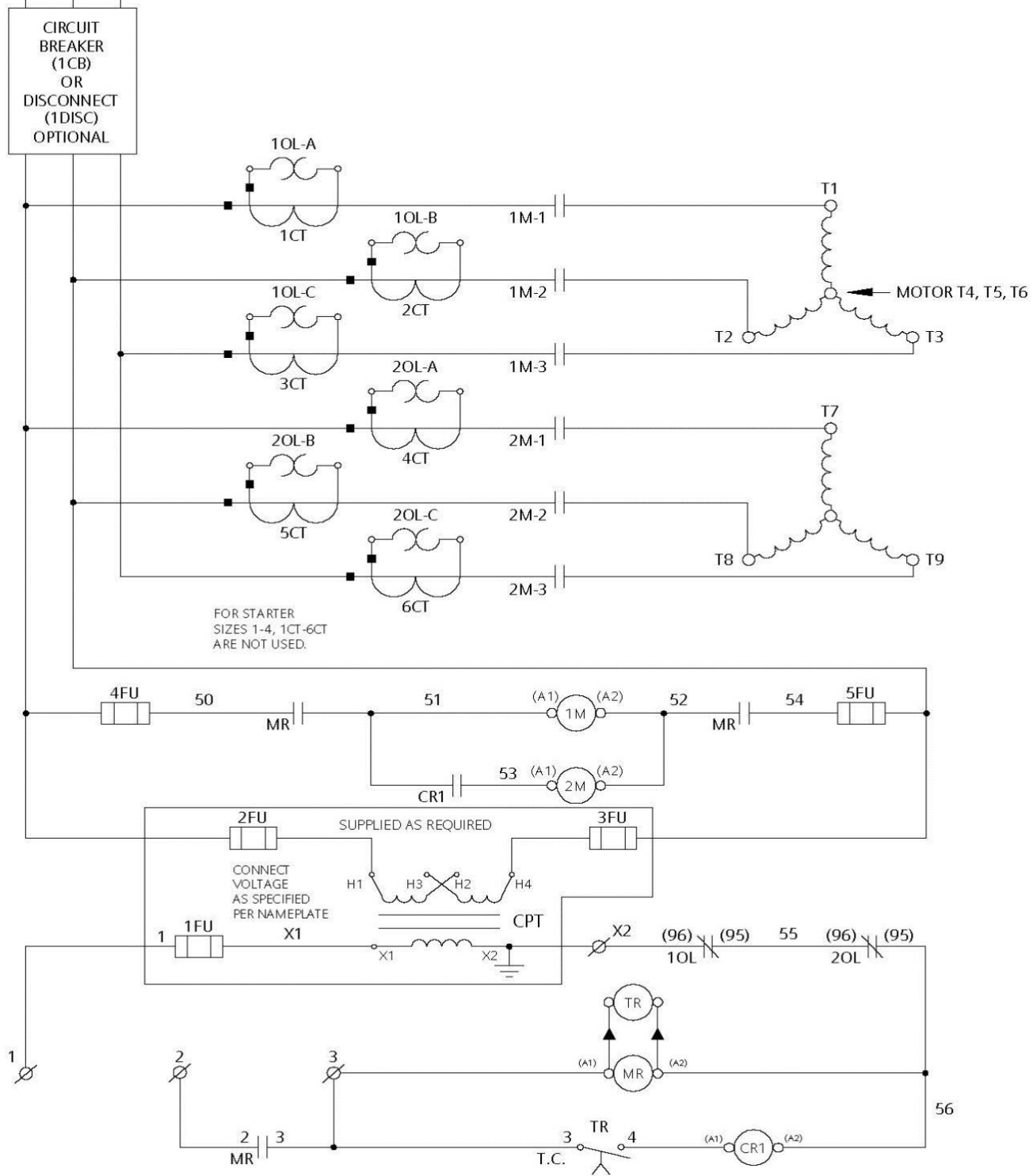
ASE2299749A-003

SEE NOTE A  
3 PHASE 50/60 HZ

L1 L2 L3

# SCHEMATIC DIAGRAM

Class 36, 37, 88 Part Winding Size 1-7



REF. D68854008