

STAINLESS STEEL HEAVY-DUTY FREE-STAND FLANGE-MOUNT DISCONNECTS, TYPE 4X



SPECIFICATIONS

- Manufactured from 12 gauge Type 304 stainless steel
- Seams continuously welded and ground smooth
- Body stiffeners in larger enclosures for extra rigidity
- Body flange trough collar excludes liquids and contaminants
- Heavy-duty lifting eyes anchor into reinforced top
- Removable centerposts permit easy panel installation
- Heavy-gauge continuous hinges
- Heavy-duty 3-point latching mechanism operated by Type 316L stainless steel PowerGlide padlocking handle on all doors
- Panel supports
- Data pocket is high-impact thermoplastic
- Seamless foam-in-place gasket provides oil-tight and dust-tight seal against contaminants
- Removable 11 gauge steel panels mount on collar studs
- Master door is far right-hand door on all enclosures
- Type 316 stainless steel handle with defeater on master door
- Type 316 stainless steel handle (non-defeater) on slave door
- Mechanical interlock activated by master door prevents slave doors from being opened first. Doors can be closed in any order.
- Preferred cutout on right flange provides mounting for most disconnect operators
- Bonding provision on doors; grounding studs on body
- Accessory mounting channel provided in enclosure top

FINISH

Stainless steel enclosures are unpainted. Sides and body have smooth #4 brushed finish. White mild steel panels are furnished with enclosure. Optional conductive panels are available.

ACCESSORIES

See also Accessories.

Electric Heater

Compact Cooling Fans

PaneLite Enclosure Lights

Operator Adapters for Preferred Cutouts

An operator adapter for a preferred cutout must be ordered separately.

MODIFICATION AND CUSTOMIZATION

nVent HOFFMAN excels at modifying and customizing products to your specifications. Contact your local nVent HOFFMAN sales office or distributor for complete information.

PATENTS

US 5,634,357

D 385,7683

BULLETIN: A28S4

INDUSTRY STANDARDS

UL 508A Listed 508; Type 3R, 4, 4X, 12; File No. E61997
 cUL Listed per CSA C22.2 No. 94; Type 3R, 4, 4X, 12; File No. E61997

NEMA/EEMAC Type 3R, Type 4, 4X, 12

IEC 60529, IP66

Meets NEMA Type 3RX requirements

APPLICATION

This disconnect enclosure is designed to house electronic controls and components. It provides protection from noncorrosive or mildly corrosive elements in both indoor and outdoor environments. Typical applications are in the food and beverage, packaging, water, petroleum and chemical processing industries. Designed to house the most popular disconnect switches and circuit breakers.

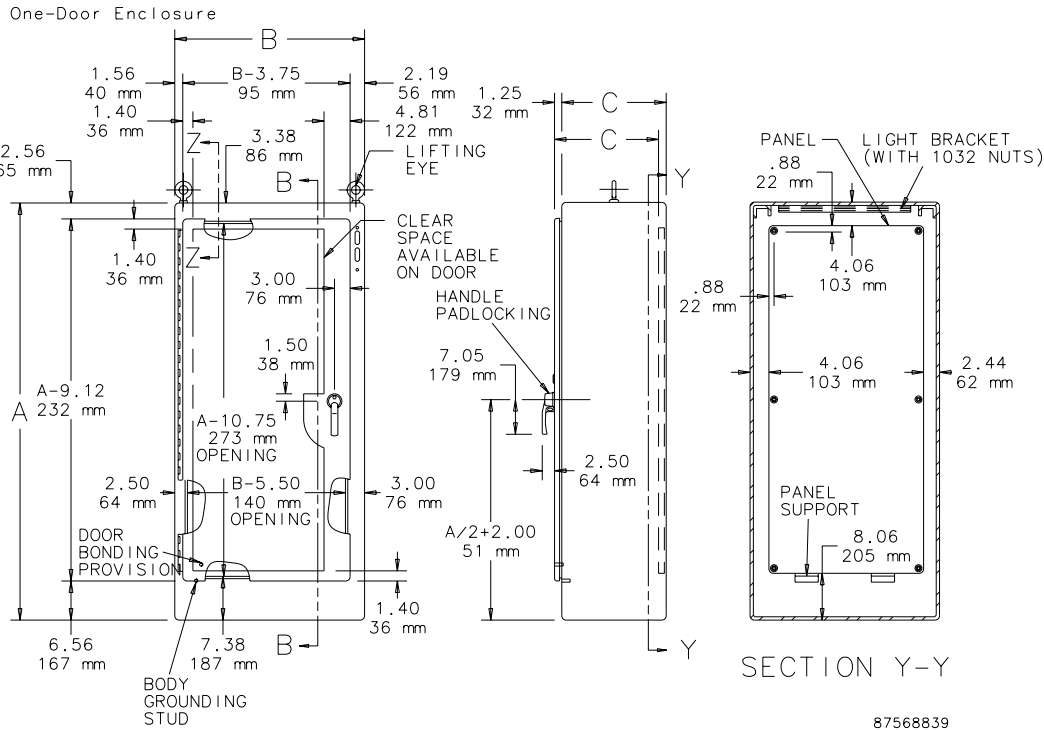
Standard Product **One-Door Enclosures**

Catalog Number	AxBxC in.	AxBxC mm	Panel	Conductive Panel	Panel Size (in.)	Panel Size (mm)
A72XM2818SSN4	72.12 x 28.25 x 18.12	1832 x 718 x 460	A72PM28	A72PM28G	60.00 x 21.75	1524 x 552
A72XM3418SSN4	72.12 x 34.25 x 18.12	1832 x 870 x 460	A72PM34	A72PM34G	60.00 x 27.75	1524 x 705
A72XM4018SSN4	72.12 x 40.25 x 18.12	1832 x 1022 x 460	A72PM40	A72PM40G	60.00 x 33.75	1524 x 857
A84XM4018SSN4	84.12 x 40.25 x 18.12	2137 x 1022 x 460	A84PM40	A84PM40G	72.00 x 33.75	1829 x 857
A90XM4018SSN4	90.12 x 40.25 x 18.12	2289 x 1022 x 460	A90PM40	A90PM40G	78.00 x 33.75	1981 x 857
A90XM4020SSN4	90.12 x 40.25 x 20.12	2289 x 1022 x 511	A90PM40	A90PM40G	78.00 x 33.75	1981 x 857
A84XM4024SSN4	84.12 x 40.25 x 24.12	2137 x 1022 x 613	A84PM40	A84PM40G	72.00 x 33.75	1829 x 857
A90XM4024SSN4	90.12 x 40.25 x 24.12	2289 x 1022 x 613	A90PM40	A90PM40G	78.00 x 33.75	1981 x 857

White mild steel panels are furnished with enclosure. Purchase conductive panels separately.

All 24.12-in. (613-mm) and deeper enclosures using short connecting rods in the following models require a Hoffman platform assembly, catalog number ADSCPA, purchased separately. • ABB Controls flange-operated devices • Cutler-Hammer C361 devices • Cutler-Hammer C371 mechanisms which use C371E, F, G, K operating mechanism • General Electric Type TDA devices (see next paragraph for option) • Square D Class 9422 devices (see next paragraph for option)

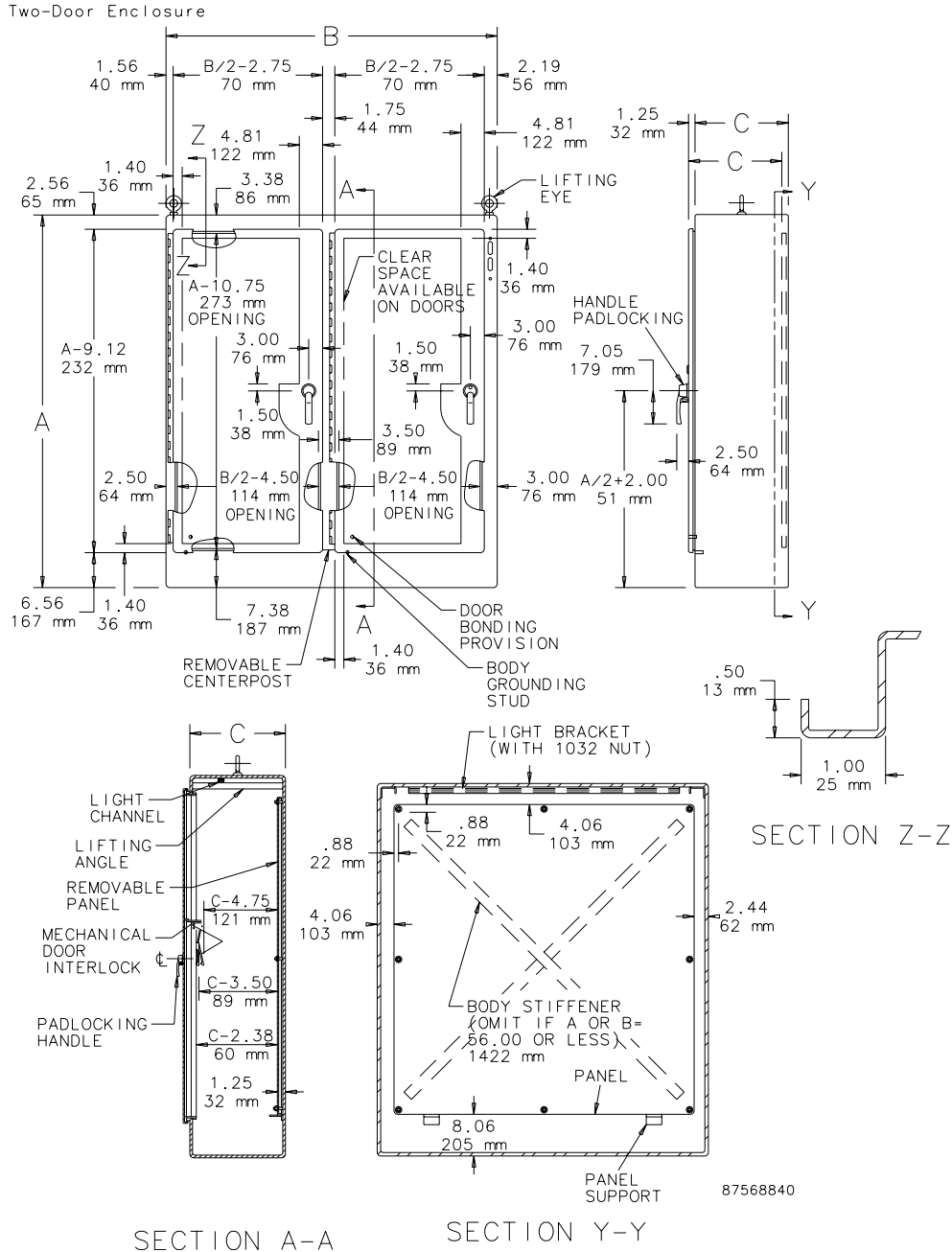
The platform assembly can be omitted if long connecting rods are ordered in place of short connecting rods. • For Cutler-Hammer operating mechanisms C371E and C371F order catalog number C371CS1 connecting rod. For C371G and C371K order catalog number C371CS2 connecting rod. • For General Electric devices, order catalog number TDSR extended length drive rod • For Square D devices, order catalog number 9422-R2 extra long operating rod(s). Some devices require two rods. Consult factory for space occupied on panel when platform is used.



Standard Product **Two-Door Enclosures**

Catalog Number	AxBxC in.	AxBxC mm	Panel	Conductive Panel	Panel Size (in.)	Panel Size (mm)
A72XM5418SSN4	72.12 x 54.50 x 18.12	1832 x 1384 x 460	A72PM54	A72PM54G	60.00 x 48.00	1524 x 1219
A72XM6618SSN4	72.12 x 66.50 x 18.12	1832 x 1689 x 460	A72PM66	A72PM66G	60.00 x 60.00	1524 x 1524
A72XM7818SSN4	72.12 x 78.50 x 18.12	1832 x 1994 x 460	A72PM78	A72PM78G	60.00 x 72.00	1524 x 1829
A84XM7818SSN4	84.12 x 78.50 x 18.12	2137 x 1994 x 460	A84PM78	A84PM78G	72.00 x 72.00	1829 x 1829
A90XM7818SSN4	90.12 x 78.50 x 18.12	2289 x 1994 x 460	A90PM78	A90PM78G	78.00 x 72.00	1981 x 1829
A90XM7820SSN4	90.12 x 78.50 x 20.12	2289 x 1994 x 511	A90PM78	A90PM78G	78.00 x 72.00	1981 x 1829
A72XM7824SSN4	72.12 x 78.50 x 24.12	1832 x 1994 x 613	A72PM78	A72PM78G	60.00 x 72.00	1524 x 1829
A84XM7824SSN4	84.12 x 78.50 x 24.12	2137 x 1994 x 613	A84PM78	A84PM78G	72.00 x 72.00	1829 x 1829
A90XM7824SSN4	90.12 x 78.50 x 24.12	2289 x 1994 x 613	A90PM78	A90PM78G	78.00 x 72.00	1981 x 1829

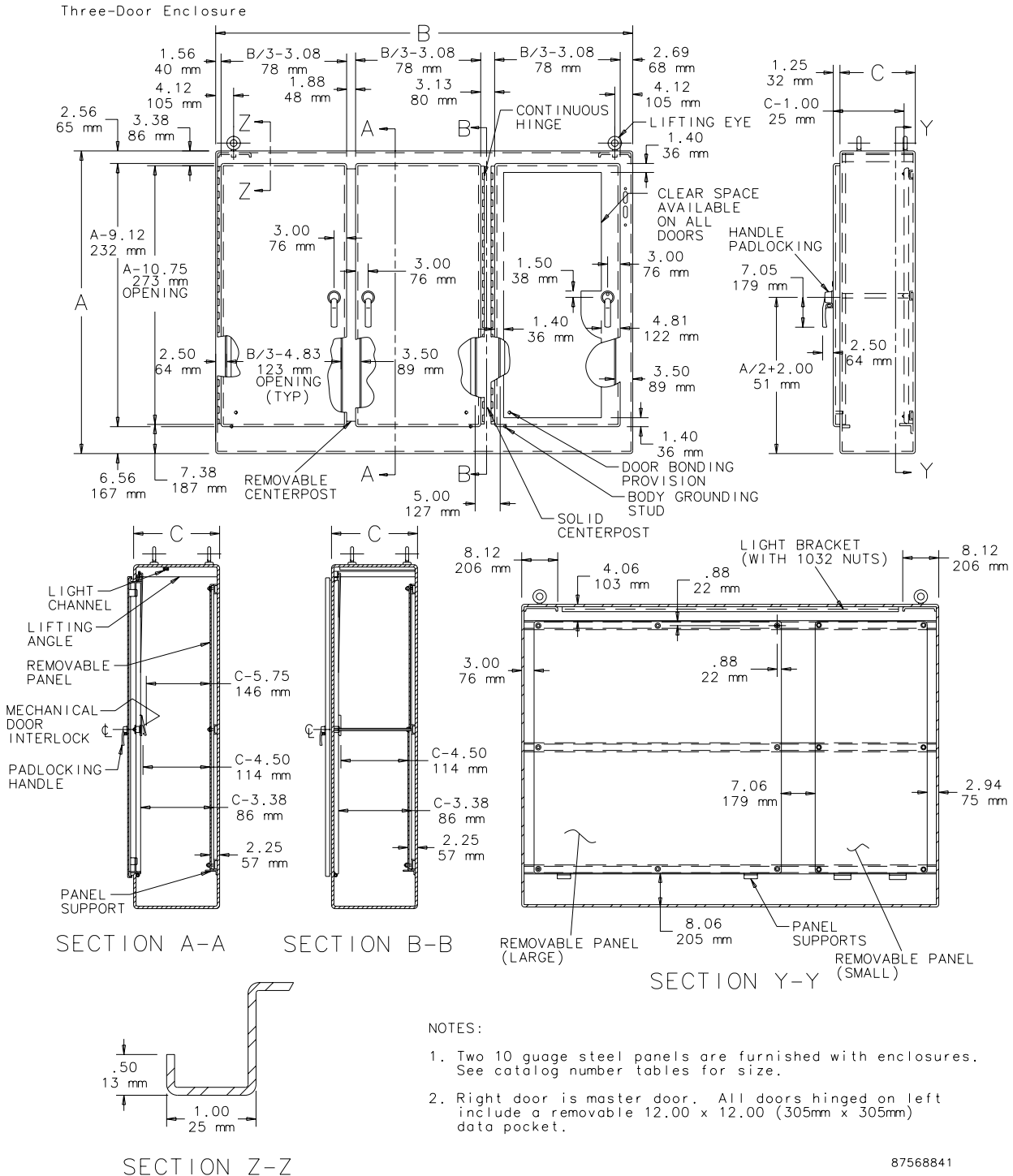
White mild steel panels are furnished with enclosure. Purchase conductive panels separately.



Standard Product **Three-Door Enclosures**

Catalog Number	AxBxC in.	AxBxC mm	Large Panel	Conductive Large Panel	Number of Large Panels	Size of Large Panels (in.)	Size of Large Panels (mm)	Small Panel	Small Conductive Panel	Number of Small Panels	Size of Small Panels (in.)	Size of Small Panels (mm)
A72XM3EQ18SSN4	72.12x100.75x18.12	1832x2559x460	A72PM66	A72PM66G	1	60.00x60.00	1524x1524	A72PM34	A72PM34G	1	60.00x27.75	1524x705
A72XM3EW18SSN4	72.12x118.75x18.12	1832x3016x460	A72PM78	A72PM78G	1	60.00x72.00	1524x1829	A72PM40	A72PM40G	1	60.00x33.75	1524x857
A84XM3EW18SSN4	84.12x118.75x18.12	2137x3016x460	A84PM78	A84PM78G	1	72.00x72.00	1829x1829	A84PM40	A84PM40G	1	72.00x33.75	1829x857
A84XM3EW24SSN4	84.12x118.75x24.12	2137x3016x613	A84PM78	A84PM78G	1	72.00x72.00	1829x1829	A84PM40	A84PM40G	1	72.00x33.75	1829x857
A90XM3EW24SSN4	90.12x118.75x24.12	2289x3016x613	A90PM78	A90PM78G	1	78.00x72.00	1981x1829	A90PM40	A90PM40G	1	78.00x33.75	1981x857

White mild steel panels are furnished with enclosure. Purchase conductive panels separately.



87568841

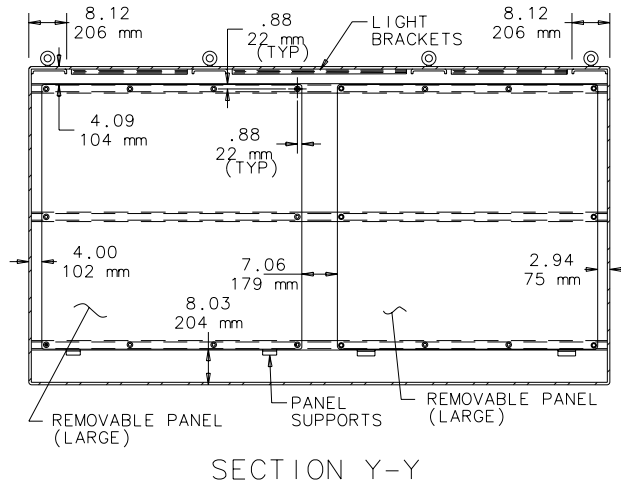
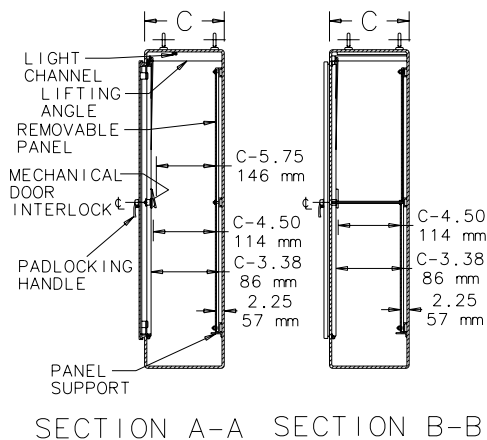
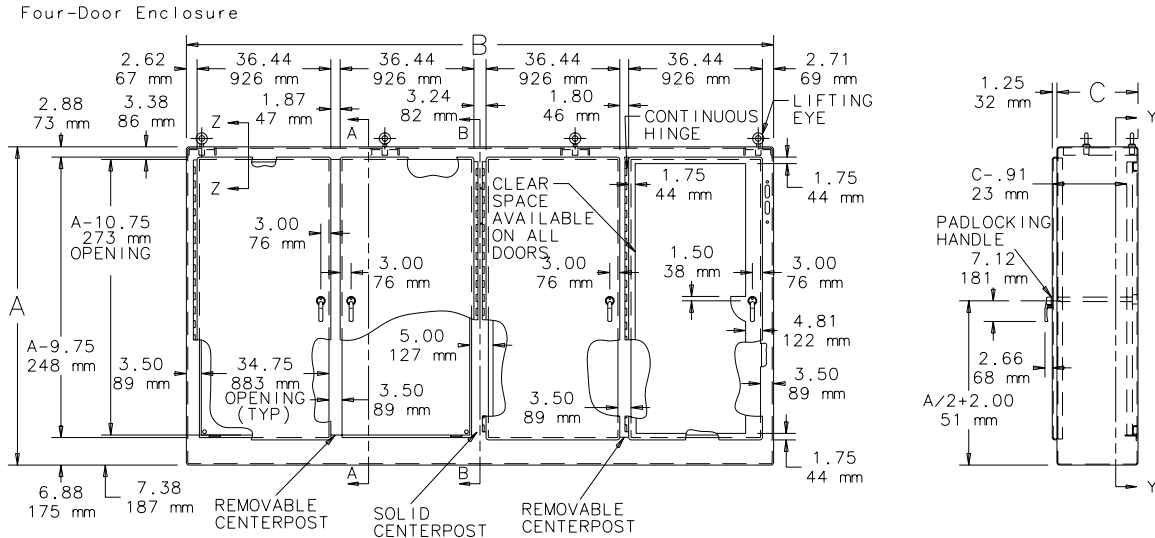
Standard Product **Four- and Five-Door Enclosures**

Catalog Number	AxBxC in.	AxBxC mm	Number of Doors	Panel	Number of Panels	Size of Panels (in.)	Sizes of Panels (mm)
A72XM4EW18SSN4	72.12 x 158.00 x 18.12	1832 x 4013 x 460	4	A72PM78	2	60.00 x 72.00	1524 x 1829
A84XM4EW18SSN4	84.12 x 158.00 x 18.12	2137 x 4013 x 460	4	A84PM78	2	72.00 x 72.00	1829 x 1829
A84XM5EW24SSN4	84.12 x 197.75 x 24.12	2137 x 5023 x 613	5	A84PM78 and A84PM40	2 and 1	72.00 x 72.00 and 72.00 x 33.75	1829 x 1829 and 1329 x 857

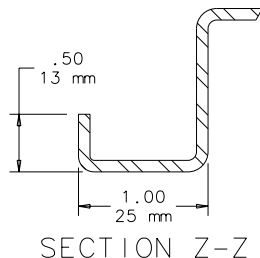
White mild steel panels are furnished with enclosure. Optional conductive panels are available.

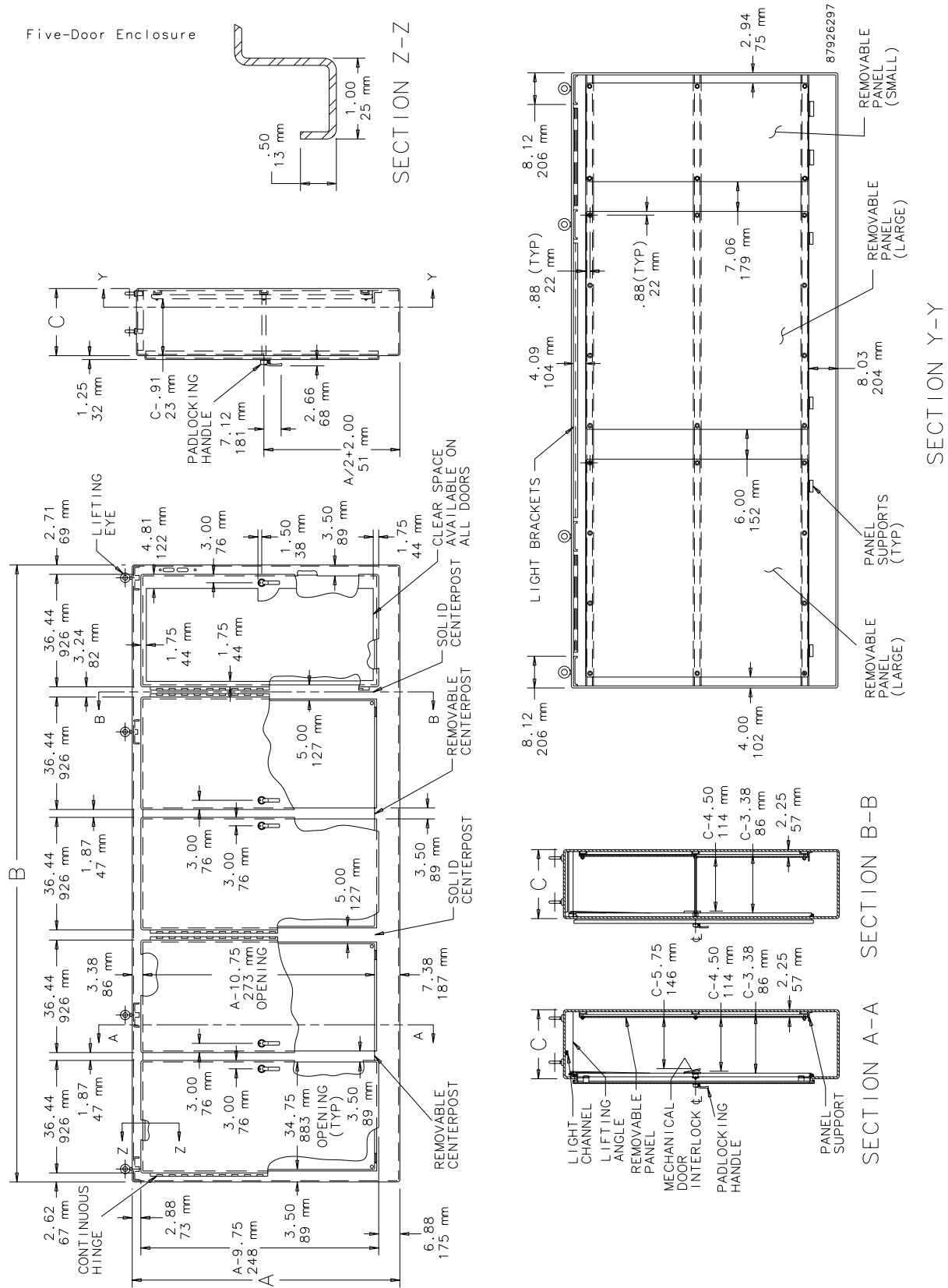
All 24.12-in. (613-mm) and deeper enclosures using short connecting rods in the following models require a Hoffman platform assembly, catalog number ADSCPA, purchased separately. • ABB Controls flange-operated devices • Eaton Cutler-Hammer C361 devices • Eaton Cutler-Hammer C371 mechanisms which use C371E, F, G, K operating mechanism • General Electric Type TDA devices (see next paragraph for option) • Schneider Square D Class 9422 devices (see next paragraph for option)

The platform assembly can be omitted if long connecting rods are ordered in place of short connecting rods. • For Eaton Cutler-Hammer operating mechanisms C371E and C371F order catalog number C371CS1 connecting rod. For C371G and C371K order catalog number C371CS2 connecting rod. • For General Electric devices, order catalog number TDSR extended length drive rod • For Schneider Square D devices, order catalog number 9422-R2 extra long operating rod(s). Some devices require two rods. Consult factory for space occupied on panel when platform is used.



87926296





DISCONNECT MOUNTING SPACE

Disconnects will occupy space on panel shown by dimensions E1, F1 and G1 in the diagram. Wiring space W1 is available when disconnect is installed in the enclosure.

See the *Technical Information section for E1 Spacing by Enclosure Height for various disconnect switch manufacturers.*

Refer to *National Electrical Code*®, 2005 article 430-10(b) for wiring space required for line side conductors to be connected to disconnect.

Verify your application to determine if wiring space is adequate.

All 24.12-in. (613-mm) and deeper enclosures using short connecting rods by the following manufacturers require a Hoffman platform assembly, catalog number ADSCPA, purchased separately.

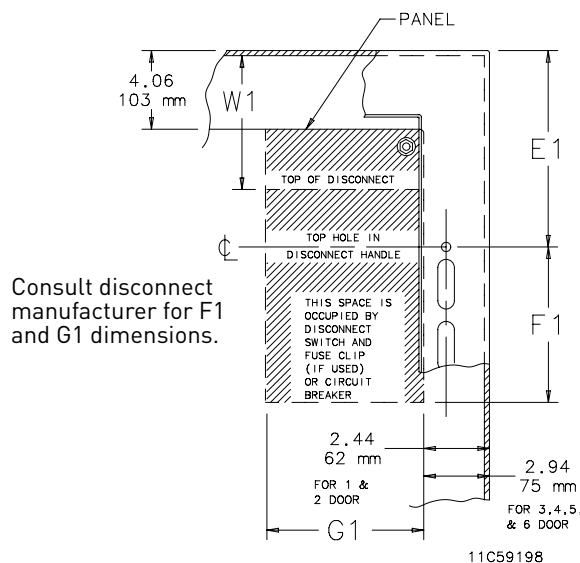
- ABB Controls flange-operated devices
- Eaton Cutler-Hammer C361 devices
- Eaton Cutler-Hammer C371 mechanisms which use C371E, F, G, K operating mechanism (see Disconnect Enclosure Accessories)
- General Electric Type TDA devices (see Disconnect Enclosure Accessories)
- Schneider Square D® Class 9422 devices (see Disconnect Enclosure Accessories)

The platform assembly can be omitted if long connecting rods are ordered in place of short connecting rods.

- For Eaton Cutler-Hammer operating mechanisms C371E and C371F order catalog number C371CS1 connecting rod. For C371G and C371K order catalog number C371CS2 connecting rod.
 - For General Electric devices, order catalog number TDSR extended length drive rod
 - For Schneider Square D devices, order catalog number 9422-R2 extra long operating rod(s). Some devices require two rods.
- Consult factory for space occupied on panel when platform is used.

A Complete Assembly Consists of:

1. An enclosure
2. A panel
3. An operator adapter (see Disconnect Enclosure Accessories in this publication to select the proper operator adapter for the brand and type of disconnect being used). *Door hardware is furnished with enclosure.*
4. A disconnect device.



PREFERRED-CUTOUT OVERVIEW



APPLICATION

Enclosures having the preferred cutout are sized for use with up to 200A disconnect switches and up to 400A circuit breakers unless otherwise specified. The preferred cutout accepts the smaller operating handle whose mounting hole centers are 4.688 in. apart. Preferred cutouts are standard in mild steel wall-mount enclosures, modular enclosures and some select large mild steel enclosures. They are also present on all standard stainless steel offerings. 400 A (or greater) disconnect switches and 600 A (or greater) circuit breakers require the "Large" or "High Amp" cutout. This cutout accepts the larger operating handle whose mounting hole centers are 6.500-in. apart. This large cutout is only available on PROLINE-DD Disconnect Packages and Type 1 Free-Stand Enclosures.

Operator adapter for preferred cutouts must be ordered separately to be used with A21S, A28S4, A4S and WS2D enclosures. Preferred cutouts are designed to house the following:

Allen-Bradley

- Bulletin 1494U universal disconnect switches with flange-mount handles for either variable-depth or cable-operated mechanisms

- Bulletin 1494V disconnect switches with flange-mount variable-depth operating mechanisms and Bulletin 1494V flange-mount variable-depth operating mechanisms for circuit breakers
 - Bulletin 140U flexible cable operating mechanisms for 140U molded case circuit breakers
 - Bulletin 140G flexible cable and variable-depth, flange-mount, molded case circuit breakers
 - Bulletin 1494C cable-operated disconnect switches with flange-mount handles
 - Bulletin 194RC cable-operated flange-mount handles for use with the NFPA 79 compliant 194R IEC rotary disconnect switches
- Allen-Bradley Bulletin 1494V-R1, -R2 and -W2 operating handles and Allen-Bradley Bulletin 1494F disconnect devices or Bulletin 1494D circuit breaker operators will NOT fit these enclosures.**

ABB Controls flange-mount variable-depth operating mechanisms for disconnect switches and circuit breakers. Also the cable version for circuit breakers.

Eaton Cutler-Hammer Type C361 flange-mount variable-depth operating mechanisms with disconnect switches and Type C371 flange-mount variable-depth operating mechanisms for circuit breakers.

General Electric Type STDA flange handles and variable-depth operating mechanisms for disconnect switches and circuit breakers. Also SPECTRAFLEX cable operators for circuit breakers.

Siemens ITE MAX FLEX® flange-mount variable-depth operating handles for circuit breakers.

Schneider Square D® Class 9422 disconnect switches with flange-mount variable-depth operating mechanisms or cable mechanisms and Class 9422 flange-mount variable-depth operating mechanisms or cable mechanisms for circuit breakers.

These enclosures will NOT accept Square D Class 9422 bracket-mounted disconnect devices, Class 9422TG1 or TG2 devices.

ORDERING

Order the disconnect switch, operating handle and operating mechanism separately. See Technical Information in the nVent HOFFMAN Specifier's Guide for wire bend space available when various manufacturers' disconnect switches are installed. Check the enclosure dimension drawings to verify the chosen disconnect switch will fit in the enclosure.