

TWO-HAND OPERATION CONSOLE FOR CONTROL DEVICES, 22MM, ROUND, ENCLOSURE MATERIAL METAL, ENCLOSURE TOP PART GRAY, 3 COMMAND POINTS, 4 ADDITIONAL DRILL HOLES FOR 22 MM CONTROL DEVICES !!! Phased-out product !!! SIRIUS ACT 3SU1 is successor Preferred successor type is >>3SU1853-3NB00-1AD1<<



Figure similar

Enclosure	
Design of the housing	Two-hand operation console
Shape of the enclosure front	rectangular
Material of the enclosure	metal
Number of command points	3
Product component	
• protective collar	Yes
Color	
• of top part of the enclosure	grey
Delivery state	
• as a kit	No
• pre-wired on strip terminal	No
Mounting type of the enclosure	Horizontal
Actuator	
Design of the operating mechanism	Emergency stop mushroom pushbutton / mushroom pushbutton
Product feature	
• lockout	No

Product extension optional Light source	Yes
Color	
• of the actuating element	A = black / B = red / C = black
Material of the actuating element	metal
Type of unlocking device	A = none / B = rotate to unlock / C = none
Front ring	
Product component front ring	Yes
Material of the front ring	metal
Color of the front ring	silver
Holder	
Material of the holder	Metal
Contact block/ lampholder	
Number of switching elements	6
General technical data	
Product function	
• positive opening	Yes
• EMERGENCY OFF function	Yes
• EMERGENCY STOP function	Yes
Product component	
• Light source	No
• Stand/pedestal	No
Type of voltage	
• of the operating voltage	AC/DC
Protection class IP	IP65
Vibration resistance	
• acc. to IEC 60068-2-6	20 ... 200 Hz: 5g
Reference code acc. to DIN 40719 extended according to IEC 204-2 acc. to IEC 750	S
Reference code acc. to DIN EN 81346-2	S
Reference code acc. to DIN EN 61346-2	S
Operating voltage	
• at AC	
— at 50 Hz rated value	400 V
— at 60 Hz rated value	5 ... 300 V
• at DC	
— rated value	5 ... 230 V
Operating voltage 1	
• at AC	
— at 50 Hz rated value	400 V
— at 60 Hz rated value	300 V
• at DC rated value	230 V

Auxiliary circuit	
Number of NC contacts for auxiliary contacts	4
Number of NO contacts for auxiliary contacts	2
Number of CO contacts	
• for auxiliary contacts	0
Operating current at AC-12	
• at 24 V rated value	10 A
• at 48 V rated value	10 A
• at 110 V rated value	10 A
• at 230 V rated value	10 A
• at 400 V rated value	10 A
Operating current at AC-15	
• at 24 V rated value	6 A
• at 48 V rated value	6 A
• at 110 V rated value	6 A
• at 230 V rated value	6 A
• at 400 V rated value	3 A
Operating current at DC-12	
• at 24 V rated value	10 A
• at 48 V rated value	5 A
• at 110 V rated value	2.5 A
• at 230 V rated value	1 A
Operating current at DC-13	
• at 24 V rated value	3 A
• at 48 V rated value	1.5 A
• at 110 V rated value	0.7 A
• at 230 V rated value	0.3 A
Connections/ Terminals	
Type of electrical connection on enclosure	Cable routing above and below, both 1 x M20
Tightening torque of the screws in the bracket	1.4 ... 1.6 N·m
Safety related data	
B10 value	
• with high demand rate acc. to SN 31920	100 000
Proportion of dangerous failures	
• with low demand rate acc. to SN 31920	20 %
• with high demand rate acc. to SN 31920	20 %
Failure rate [FIT]	
• with low demand rate acc. to SN 31920	100 FIT
T1 value for proof test interval or service life acc. to IEC 61508	20 y
Ambient conditions	

Ambient temperature	
<ul style="list-style-type: none"> during operation during storage 	-25 ... +70 °C -40 ... +80 °C
Environmental category during operation acc. to IEC 60721	3K6



Installation/ mounting/ dimensions

Mounting type	
<ul style="list-style-type: none"> of contact blocks, socket, and accessories 	Front mounting
Height	469 mm
Width	137 mm
Depth	185 mm
Shape of the installation opening	round
Mounting diameter	22 mm

Accessories

Number of backing plates	1
Marking of backing plate	EMERGENCY STOP, 4 LANGUAGES: DE,EN,IT,SP
Color of backing plate	Yellow
Product component holder for 3 switching elements	No

Certificates/ approvals

General Product Approval	Declaration of Conformity	Test Certificates	other
	 EG-Konf.	Miscellaneous Special Test Certificate	Confirmation Environmental Confirmations

Railway

[Special Test Certificate](#)

Further information

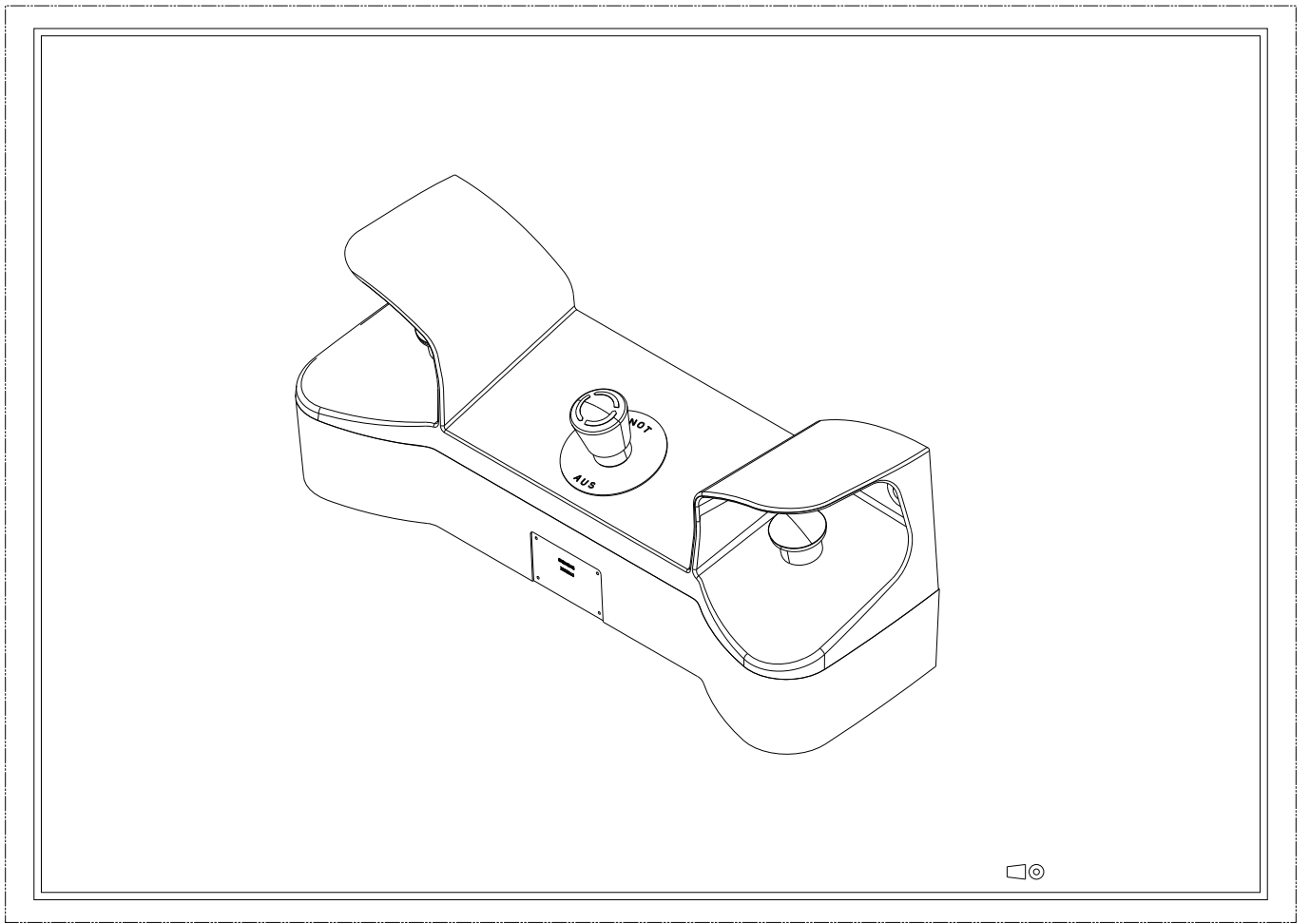
Information- and Downloadcenter (Catalogs, Brochures,...)
www.siemens.com/sirius/catalogs

Industry Mall (Online ordering system)
<https://mall.industry.siemens.com/mall/en/en/Catalog/product?mlfb=3SB3863-4BA>

Cax online generator
<http://support.automation.siemens.com/WW/CAXorder/default.aspx?lang=en&mlfb=3SB3863-4BA>

Service&Support (Manuals, Certificates, Characteristics, FAQs,...)
<https://support.industry.siemens.com/cs/ww/en/ps/3SB3863-4BA>

Image database (product images, 2D dimension drawings, 3D models, device circuit diagrams, EPLAN macros, ...)
http://www.automation.siemens.com/bilddb/cax_de.aspx?mlfb=3SB3863-4BA&lang=en



last modified:

11/14/2019