

**Climax Metal Products Company**

8141 Tyler Boulevard
Mentor, Ohio 44060
USA

Toll free: 800-542-6552

Phone: 440-585-0300

Fax: 800-860-5553

Email: sales@climaxmetal.com

Website: www.climaxmetal.com

ITEM # C-200, SET SCREW COLLAR C-SERIES

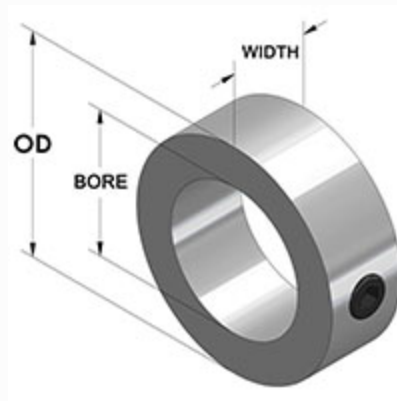
Zinc Plated Steel Set Screw Collar. Traditional cost effective collar design.



[Drawing](#) | [Specifications](#) | [Regulation & Compliance](#)

Drawing

Dimensional Drawing



Set Screw Collar

Specifications

 Chat with us! 

Bore	2 in
OD	3 in
Width	7/8 in
Style	Set Screw
Material	Steel, ASTM A108
Finish	Zinc Plated
Set Screw	Hex Socket Set Screw, 3A Thread, Steel, ASTM F912: 1/2-13 x 1/2
Approximate Weight	14.90 oz
UPC Code	044861029954
Downloads	Catalog Page

Regulation & Compliance

[REACH Compliance Statement](#)

[RoHS 3 Compliance Statement](#)

[Disclosure of Conflict Minerals and Materials](#)

[California Propostion 65 Warning](#)

[Toxic Substances Control Act TSCA](#)

[DFARS Compliance Statement](#)

[Safety Data Sheet](#)

[ISO Certificate](#)