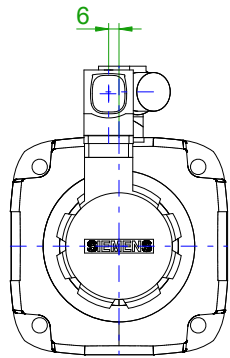
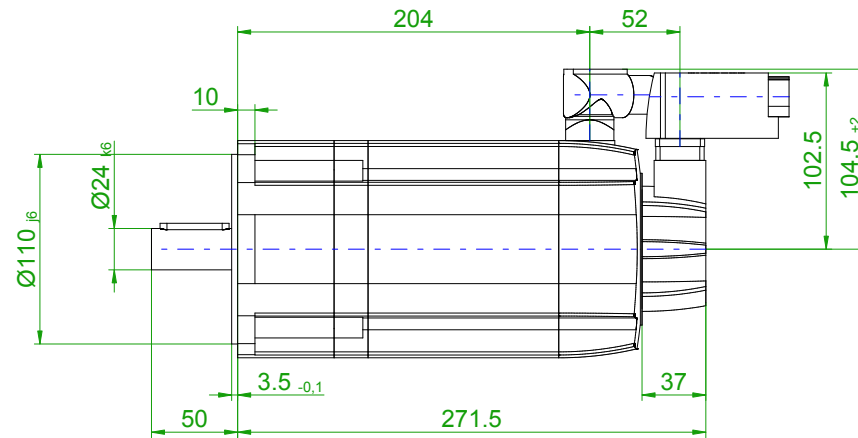
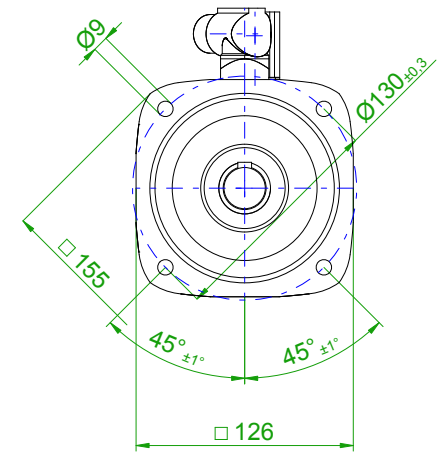


back view

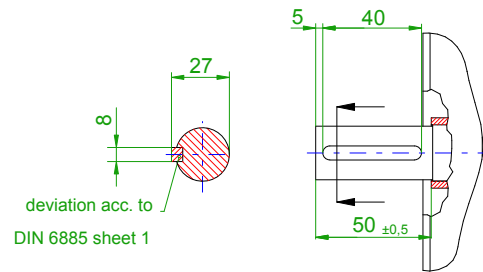


front view

center hole
DIN 332-DR M8

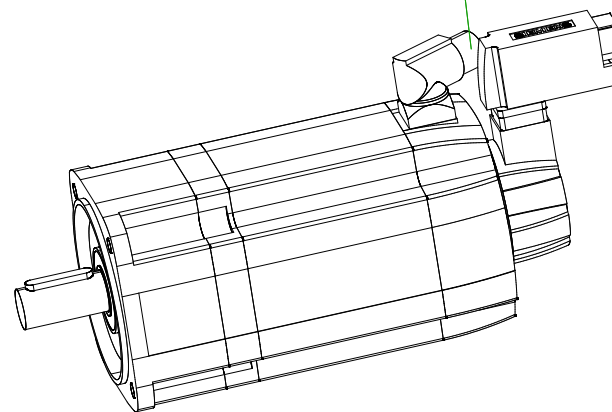


version with featherkey

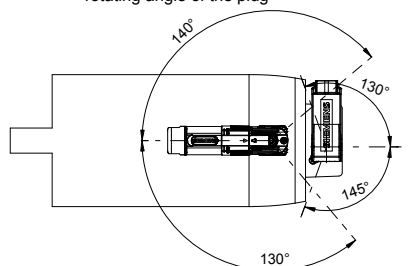


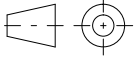
6-pole plug size 1
for power and brake

10-pole
signal plug



rotating angle of the plug



		SIEMENS	
Einheit / unit: mm	Synchron-Servomotor Synchronous Servo Motor:	1FT7066-5AF71-1FB1	
nicht tolerierte Maße / not toleranced dimensions:	Optionen / options:	Gewicht / mass:	14.1 kg
Maßstab / scale: ohne / without	Bemerkung / notice:		
CAD CREATOR 2.2 (WWW-Version V02.20.00.00)	Druckdatum / print date:	06.02.2020	