

## Catalog Numbers

Catalog No.	Amperage Rating	Max. Interrupting Rating
<b>1 PHASE, 3 WIRE, 120/240V AC MAX</b>		
WB1900CNH	900	65,000
WB1900CUNH	900	100,000
WB11000CNH	1000	65,000
WB11000CUNH	1000	100,000
WB11200CNH	1200	65,000
WB11200CUNH	1200	100,000
<b>3 PHASE, 4 WIRE, 240V AC MAX</b>		
WB3900CNH	900	65,000
WB3900CUNH	900	100,000
WB31000CNH	1000	65,000
WB31000CUNH	1000	100,000
WB31200CNH	1200	65,000
WB31200CUNH	1200	100,000

## Replacement Parts, Accessories, And Additional Modules

FOR USE WITH:	
Module Description	Siemens Series#
Main Breakers	(W)MC, WB, WEB, WXB, WBT
Switches	WMP, WMS, WS, WES
Tap/Terminal Boxes	WMTB, WTB, WET, WT_PU
Pull Boxes	WMMB
Meter Module	(W)MM, WxMM, (W)MT, (W)ML, (W)MK, (W)MLZ(F)
Meter Combinations	WC, WCL, WCT
Extension Box	WMEX, WSP, WSPD
Bussed Elbow	BE, WELB

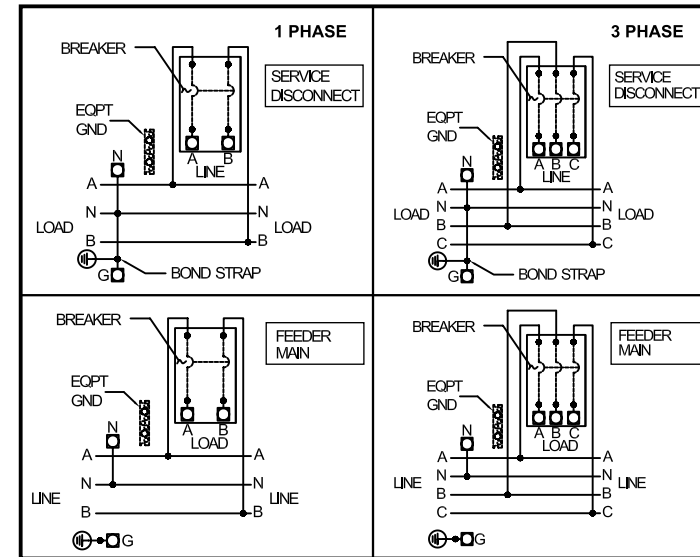
Connect Modules Using	Catalog Number / Torque
QuickConnect	QC1 (1ph) or QC4 (3ph) 400-440 lb-in (35-36 ft.-lb.) Torque

Siemens Accessories	Catalog Number
Hub Cover Plate	EC56933S
Type HD Hub 3"	EC56856
Type HD Hub 3-1/2"	EC56857
Type HD Hub 4"	EC56858
GND Bar Kit	ECLX069M
Lug Landing Pad	LLP1200 (lugs ordered separately) UNDERGROUND USE ONLY

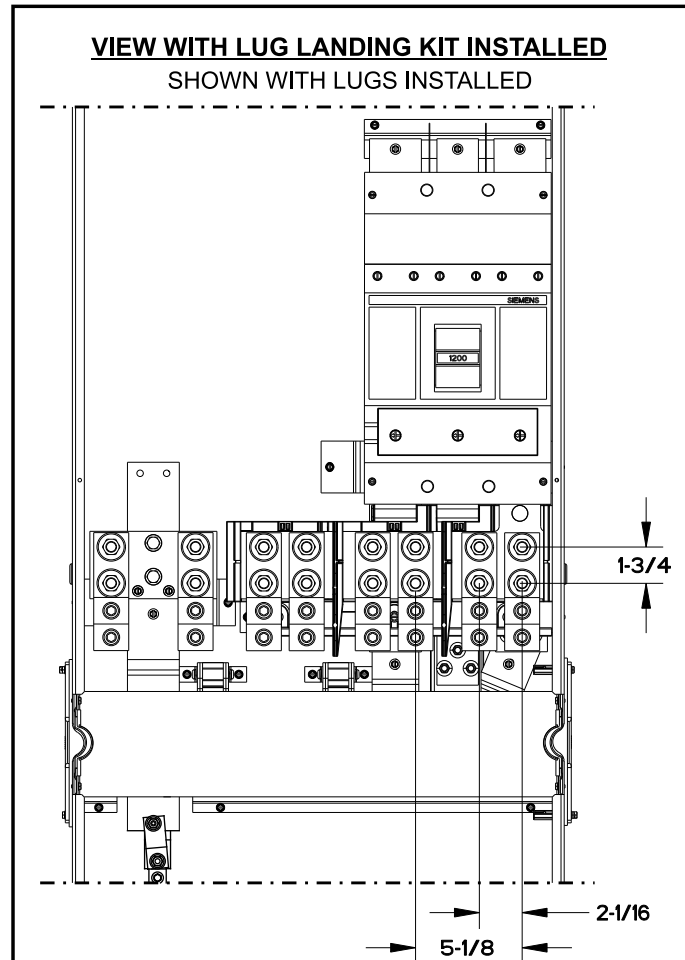
Breaker Lug Kits				
Lug Kit	MFG	Wire Range	No. Wires per phase	Torque (lb.-in.)
<b>Single Phase Mechanical Lug Kits</b>				
LK14500*	Siemens	250-500 kcmil	4	375
LK13750	Siemens	500-750 kcmil	3	375
<b>Three Phase Mechanical Lug Kits</b>				
LK34500*	Siemens	250-500 kcmil	4	375
LK33750	Siemens	500-750 kcmil	3	375

\* Factory Installed

## Schematics



## LLP1200 Lug Landing Kit



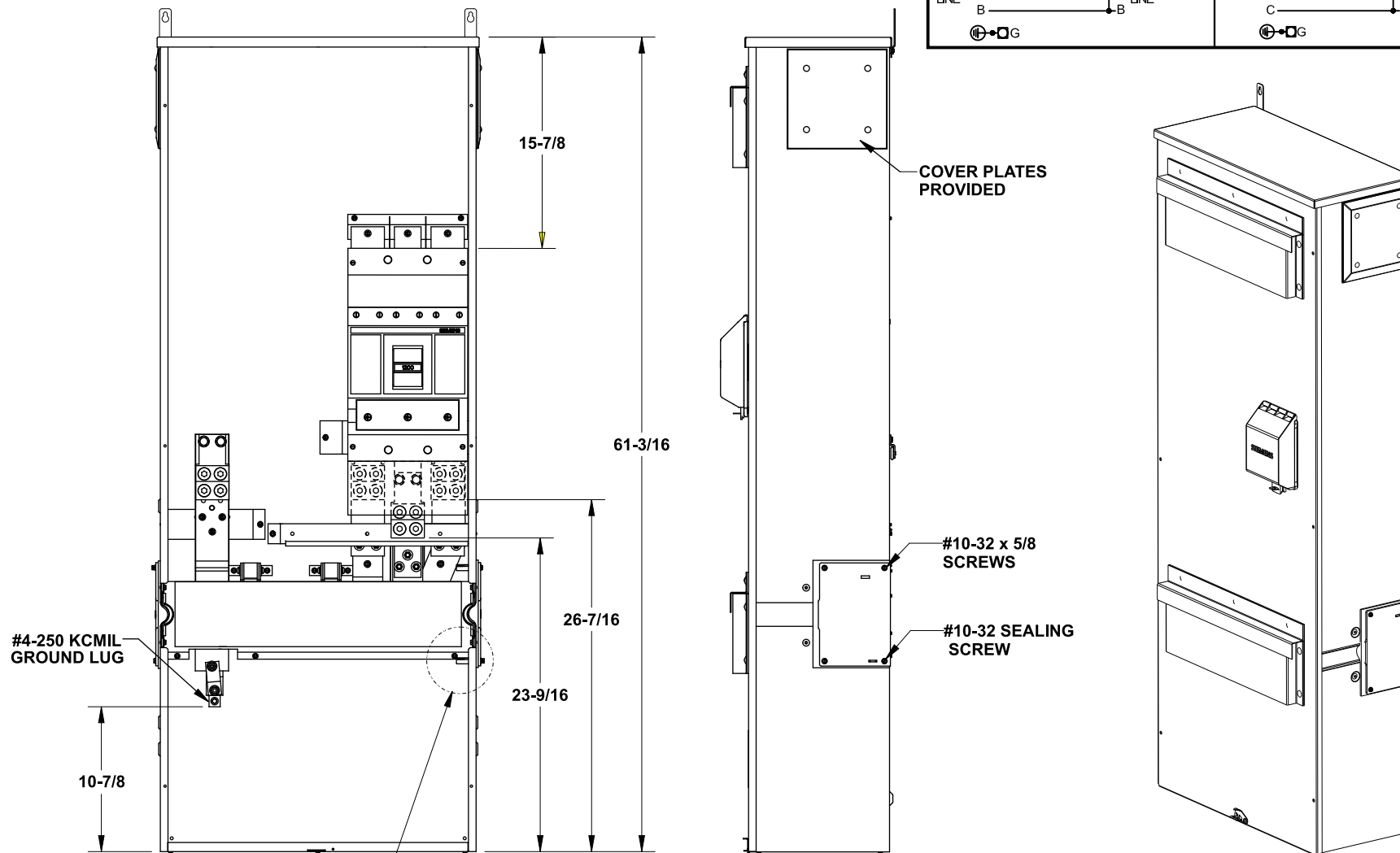
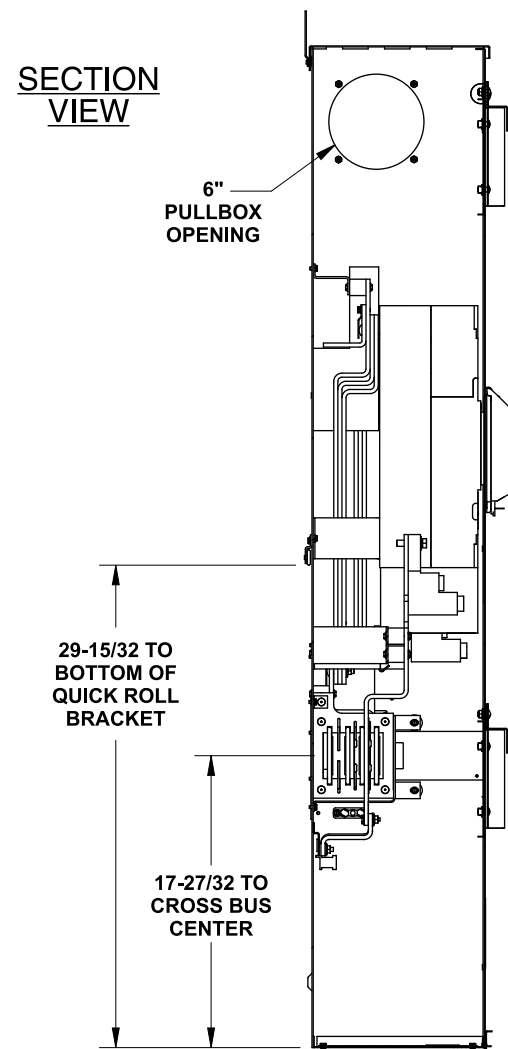
### Lug Kits for LLP1200 Phase and Neutral Connections

1 Phase: Lugs for Phase and Neutral Connections (not supplied)					
NEMA Lug	MFG	Wire Range	Type	No. Wires per phase	Torque (lb.-in.)
LK13750N2	Siemens	300-750 kcmil	Mechanical	3	500 ②
LK14500N2	Siemens	1/0-500 kcmil	Mechanical	4	500
2ACL-500	ILSCO	500 kcmil	Compression	4	NA ③
2ACL-750	ILSCO	750 kcmil	Compression	3	NA ③

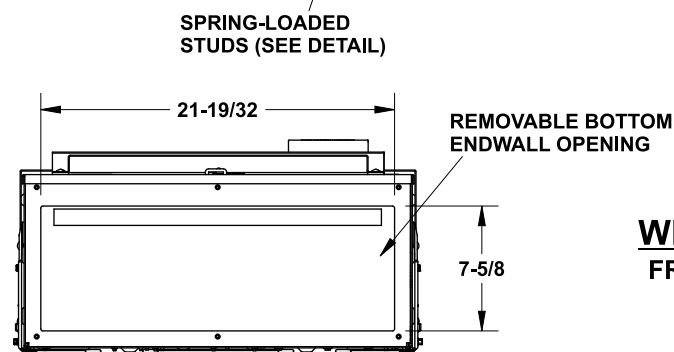
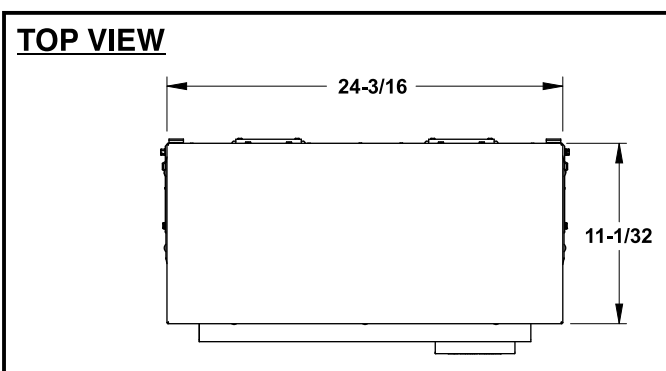
3 Phase: Lugs for Phase and Neutral Connections (not supplied)					
NEMA Lug	MFG	Wire Range	Type	No. Wires per phase	Torque (lb.-in.)
LK33750N2	Siemens	300-750 kcmil	Mechanical	3	500 ②
LK34500N2	Siemens	1/0-500 kcmil	Mechanical	4	500
2ACL-500	ILSCO	500 kcmil	Compression	4	NA ③
2ACL-750	ILSCO	750 kcmil	Compression	3	NA ③

- ① Order one mechanical lug kit for main breaker and neutral conversions. Contact lug manufacturer for compression lug quantities supplied for each kit.
- ② Kit contains more than one lug type.
- ③ See lug manufacturer's instruction sheet supplied with the connector for tool, die, and number of crimps.

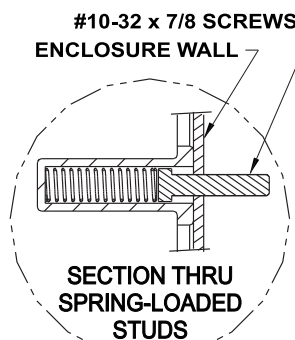
### SECTION VIEW



### TOP VIEW



**WB31200CNH (3 Phase) SHOWN**  
FRONT VIEW SHOWN WITHOUT COVER



© 2017 Copyright Siemens Industry, Inc.

**SIEMENS**  
Siemens Industry, Inc.

**PowerMod™ Breaker Mains**

Description: **WB1900CNH thru WB31200CUNH, No Hub Openings, Service Entrance Breaker Mains**

KAM 11/15/17 DO NOT SCALE Dwg No: **900-1200A\_SE\_Brkr\_MainsNH**