



Pump control panel, NEMA Size 3, Three phase full voltage, 200A/250V fusible disconnect, Solid-state overload relay, OLR amp range 25-100A, 220/240 V AC 50/60HZ coil, HOA selector switch, Start push button, Enclosure NEMA type 3R, Weather proof outdoor use, Standards: UL 60947-1, Certifications: cULus, Listed Service Entrance Equip

|   |   |
|---|---|
| design of the product   | Pump control panel with fused disconnect switch |
| special product feature   | ESP200 overload relay                           |
| <b>General technical data</b>   |   |
| weight [lb]   | 78 lb(av)                                       |
| Height x Width x Depth [in]   | 41 × 24 × 8 in                                  |
| touch protection against electrical shock                               | (NA for enclosed products)                      |
| installation altitude [ft] at height above sea level maximum            | 6560 ft   |
| ambient temperature [°F]  |   |
| • during storage  | -22 ... +149 °F                                 |
| • during operation  | -4 ... +104 °F                                  |
| ambient temperature   |   |
| • during storage  | -30 ... +65 °C                                  |
| • during operation  | -20 ... +40 °C                                  |
| country of origin   | Mexico  |
| <b>Horsepower ratings</b>   |   |
| yielded mechanical performance [hp] for 3-phase AC motor                |   |
| • at 200/208 V rated value  | 25 hp   |
| • at 220/230 V rated value  | 30 hp   |
| • at 460/480 V rated value  | 0 hp  |
| • at 575/600 V rated value  | 0 hp  |
| <b>Contactors</b>   |   |
| size of contactor   | NEMA controller size 3                          |
| number of NO contacts for main contacts                                 | 3   |
| operating voltage for main current circuit at AC at 60 Hz maximum       | 240 V   |
| operational current at AC at 600 V rated value                          | 90 A  |
| mechanical service life (operating cycles) of the main contacts typical | 10000000  |
| <b>Auxiliary contact</b>  |   |
| number of NC contacts at contactor for auxiliary contacts               | 1   |
| number of NO contacts at contactor for auxiliary contacts               | 1   |
| number of total auxiliary contacts maximum                              | 4   |
| contact rating of auxiliary contacts of contactor according to UL       | 10A@600VAC (A600), 5A@600VDC (P600)             |
| <b>Coil</b>   |   |
| type of voltage of the control supply voltage                           | AC  |
| control supply voltage  |   |
| • at DC rated value   | 0 ... 0 V                                       |
| • at AC at 50 Hz rated value  | 220 ... 220 V                                   |
| • at AC at 60 Hz rated value  | 240 ... 240 V                                   |
| apparent pick-up power of magnet coil at AC                             | 326 VA  |
| apparent holding power of magnet coil at AC                             | 22 VA   |

|  |                                      |
|--|--------------------------------------|
| operating range factor control supply voltage rated value of magnet coil   | 0.8 ... 1.1                          |
| ON-delay time  | 13 ... 50 ms                         |
| OFF-delay time   | 10 ... 21 ms                         |
| <b>Overload relay</b>  |                                      |
| product function   |                                      |
| • overload protection  | Yes                                  |
| • phase failure detection  | Yes                                  |
| • asymmetry detection  | Yes                                  |
| • ground fault detection   | Yes                                  |
| • test function  | Yes                                  |
| • external reset   | Yes                                  |
| reset function   | Manual, automatic and remote         |
| trip class   | Class 5 / 10 (factory set) / 20 / 30 |
| adjustable current response value current of the current-dependent overload release                                | 25 ... 100 A                         |
| tripping time at phase-loss maximum  | 3 s                                  |
| relative repeat accuracy   | 1 %                                  |
| product feature protective coating on printed-circuit board  | Yes                                  |
| number of NC contacts of auxiliary contacts of overload relay  | 1                                    |
| number of NO contacts of auxiliary contacts of overload relay  | 1                                    |
| operational current of auxiliary contacts of overload relay  |                                      |
| • at AC at 600 V   | 5 A                                  |
| • at DC at 250 V   | 1 A                                  |
| contact rating of auxiliary contacts of overload relay according to UL   | 5A@600VAC (B600), 1A@250VDC (R300)   |
| insulation voltage (Ui)  |                                      |
| • with single-phase operation at AC rated value  | 600 V                                |
| • with multi-phase operation at AC rated value   | 300 V                                |
| <b>Disconnect Switch</b>   |                                      |
| response value of switch disconnecter  | 200A / 250V                          |
| design of fuse holder  | Class H fuse clips                   |
| operating class of the fuse link   | Class H, K and R                     |
| <b>Enclosure</b>   |                                      |
| degree of protection NEMA rating of the enclosure  | NEMA Type 3R enclosure               |
| design of the housing  | Weather proof for outdoor use        |
| <b>Standard Control Devices</b>  |                                      |
| product component Hand-Off-Auto selector switch  | Yes                                  |
| type of Hand-Off-Auto selector switch  | 30mm metal housing with matte finish |
| product component start push button  | Yes                                  |
| type of start push button  | 30mm metal housing with matte finish |
| <b>Mounting/wiring</b>   |                                      |
| mounting position  | Vertical                             |
| fastening method   | Surface mounting and installation    |
| type of electrical connection for supply voltage line-side   | Box lug                              |
| type of connectable conductor cross-sections at line-side for AWG cables single or multi-stranded                  | 1 x (6 AWG ... 300 Kcmil)            |
| temperature of the conductor for supply maximum permissible  | 75 °C                                |
| material of the conductor for supply   | AL or CU                             |
| type of electrical connection for load-side outgoing feeder  | Screw-type terminals                 |
| tightening torque [lbf-in] for load-side outgoing feeder   | 40 ... 53 lbf-in                     |
| type of connectable conductor cross-sections for AWG cables for load-side outgoing feeder single or multi-stranded | 2x (10 ... 1/0), 1x (10 ... 2)       |
| temperature of the conductor for load-side outgoing feeder maximum permissible                                     | 75 °C                                |
| material of the conductor for load-side outgoing feeder  | CU                                   |
| type of electrical connection of magnet coil   | Screw-type terminals                 |
| tightening torque [lbf-in] at magnet coil  | 7 ... 10 lbf-in                      |
| type of connectable conductor cross-sections of magnet coil for AWG cables single or multi-stranded                | 2x (20 ... 16), 2x (18 ... 14)       |
| temperature of the conductor at magnet coil maximum permissible  | 75 °C                                |
| material of the conductor at magnet coil   | CU                                   |

|   |                                |
|---|--------------------------------|
| type of electrical connection at contactor for auxiliary contacts   | Screw-type terminals           |
| tightening torque [lbf-in] at contactor for auxiliary contacts  | 7 ... 10 lbf-in                |
| type of connectable conductor cross-sections at contactor for AWG cables for auxiliary contacts single or multi-stranded      | 2x (20 ... 16), 2x (18 ... 14) |
| temperature of the conductor at contactor for auxiliary contacts maximum permissible  | 75 °C                          |
| material of the conductor at contactor for auxiliary contacts   | CU                             |
| type of electrical connection at overload relay for auxiliary contacts  | Screw-type terminals           |
| tightening torque [lbf-in] at overload relay for auxiliary contacts   | 7 ... 10 lbf-in                |
| type of connectable conductor cross-sections at overload relay for AWG cables for auxiliary contacts single or multi-stranded | 2 x (20 ... 14 AWG)            |
| temperature of the conductor at overload relay for auxiliary contacts maximum permissible                                     | 75 °C                          |
| material of the conductor at overload relay for auxiliary contacts  | CU                             |

**Short-circuit current rating**

|   |   |
|---|---|
| design of the fuse link for short-circuit protection of the main circuit required | 10kA@600V (Class H or K); 100kA@600V (Class R or J) |
| certificate of suitability  | NEMA ICS 2; UL 508                                  |

**Approvals Certificates**

| General Product Approval | Test Certificates | other | Environment |
|--------------------------|-------------------|-------|-------------|
|--------------------------|-------------------|-------|-------------|



[Confirmation](#)

[Environmental Confirmations](#)

**Further information**

**Industrial Controls - Product Overview (Catalogs, Brochures,...)**

[www.usa.siemens.com/iccatalog](http://www.usa.siemens.com/iccatalog)

**Industry Mall (Online ordering system)**

<https://mall.industry.siemens.com/mall/en/us/Catalog/product?mlfb=3RE4803-0GN56-4GA0>

**Service&Support (Manuals, Certificates, Characteristics, FAQs,...)**

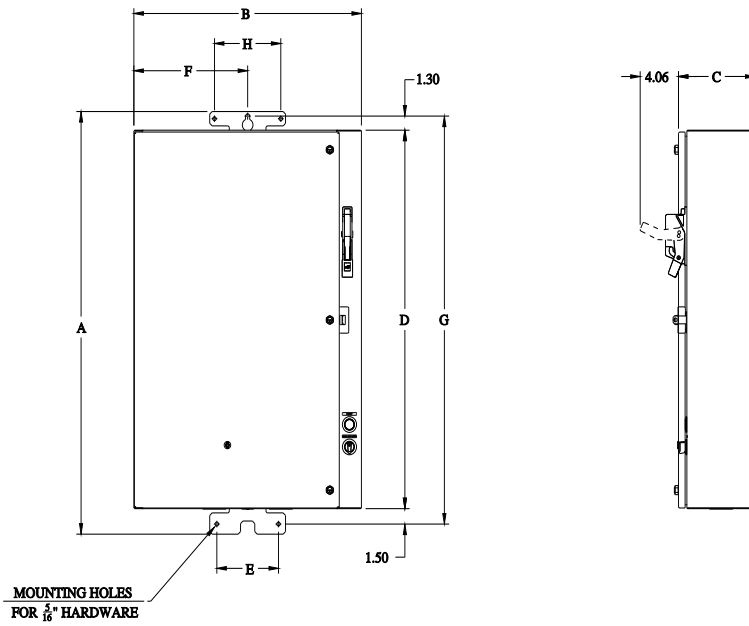
<https://support.industry.siemens.com/cs/US/en/ps/3RE4803-0GN56-4GA0>

**Image database (product images, 2D dimension drawings, 3D models, device circuit diagrams, EPLAN macros, ...)**

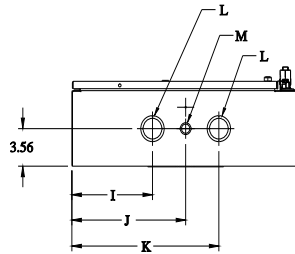
[http://www.automation.siemens.com/bilddb/cax\\_de.aspx?mlfb=3RE4803-0GN56-4GA0&lang=en](http://www.automation.siemens.com/bilddb/cax_de.aspx?mlfb=3RE4803-0GN56-4GA0&lang=en)

**Certificates/approvals**

<https://support.industry.siemens.com/cs/US/en/ps/3RE4803-0GN56-4GA0/certificate>



MOUNTING HOLES  
FOR  $\frac{1}{16}$ " HARDWARE



| OUTLINE DIMENSIONS  |       |       |           |           |
|---------------------|-------|-------|-----------|-----------|
| A                   | B     | C     |           |           |
| 40.20               | 24.00 | 8.06  |           |           |
| MOUNTING DIMENSIONS |       |       |           |           |
| D                   | E     | F     | G         | H         |
| 36.00               | 6.50  | 12.00 | 38.80     | 7.00      |
| CONDUIT KNOCKOUT    |       |       |           |           |
| I                   | J     | K     | L         | M         |
| 8.50                | 12.00 | 15.50 | 2.46-1.96 | 1.12-.875 |

A5E51602392A/B87010A0547-T005-A4

last modified:

1/18/2024