

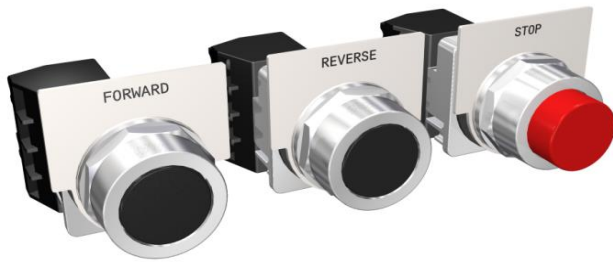
Product Data Sheets for Siemens
NEMA Control Product Accessories
Class 49, 75 and CLM

Revision Date 2018-2-27

Table of Contents

49SAP02	4
49SAP03	6
49SAP05	8
49SAS01	10
49SAS02	12
49SAS03	14
49SAS04	16
49SAS09	18
49SBPB5	20
49SBSB1	22
49SBSB2	24
49SBSB3	26
49SBSB4	28
49SBLB*	30
49SPL0AG*	32
49SPL0AR*	34
49SPL0BG*	36
49SPL0BR*	38
49SPL0CG*	40
49SPL0CR*	42
49SPL0EA*	44
49SPL0FA*D	46
49SPL0FA*E	48
49SPL0FA*G	50
49SPL0HW*	52
49SPL0JG*	54
49SPL0JR*	56
49SPL0KG*	58
49SPL0KR*	60
49SPLPAG*	62
49SPLPBG*	64
49SPLPBR*	66
49SPLPJG*	68
49SPLPJR*	70

49SPLPKG*	72
49SPLPKR*	74



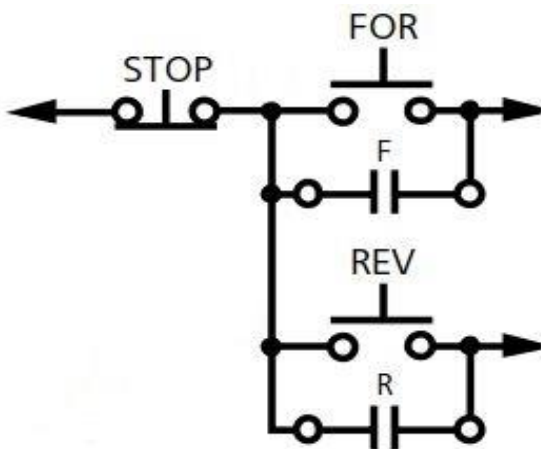
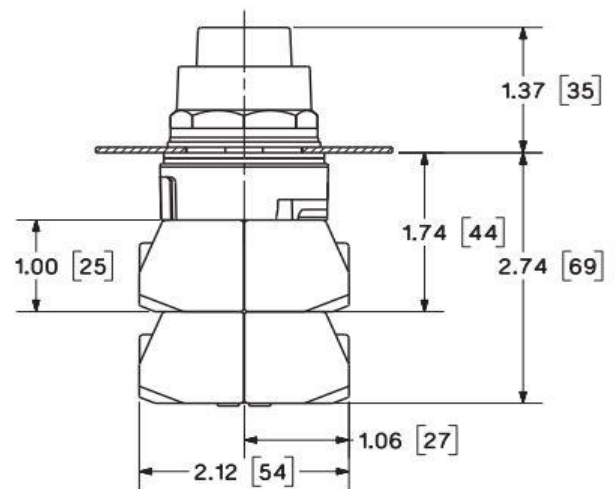
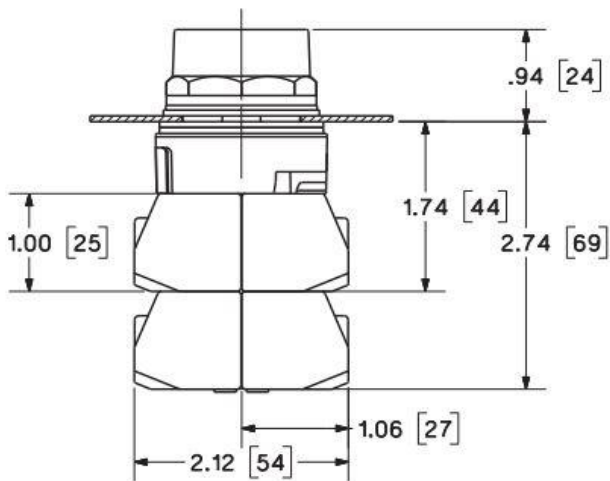
Push Buttons
30 mm
FORWARD, REVERSE and STOP Legends

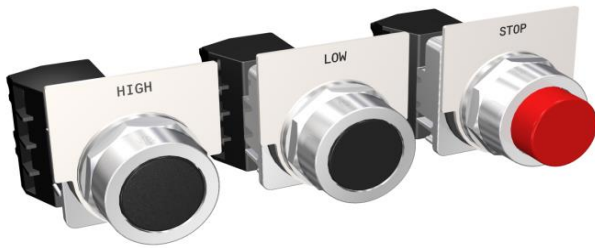


Image is representative and may not depict the actual product.

General technical data:	
Weight	1.2 lb
Height x Width x Depth	(refer to outline diagrams below)
Finger-safe	Yes
Environmental ratings	NEMA 1, 3, 3R, 4, 12 & 13
Maximum altitude	(no data)
Ambient storage temperature	(-40 to 85)°C / (-40 to 185)°F
Ambient operating temperature	(-35 to 70)°C / (-31 to 158)°F
Humidity (% non-condensing)	(no data)
Country of origin	Mexico
Material of front ring	Metal with chrome plating
Actuator:	
Type	Flush pushbutton (FOR & REV); Raised pushbutton (STOP)
Material	Plastic
Color	Black (FOR & REV); Red (STOP)
Illumination	None
Switching positions	2 momentary positions
Mechanical service life (switching cycles)	5,000,000 operating cycles
Contact Block:	
Number of NC contacts	1 (STOP)
Number of NO contacts	1 each (FOR & REV)
Operating Current at A600:	
Thermal continuous test circuit	10A
120VAC	60A Make / 6A Break
240VAC	30A Make / 3A Break
480VAC	15A Make / 1.5A Break
600VAC	12A Make / 1.2A Break
Operating Current at P600:	
Thermal continuous test circuit	5A
125VDC	1.1A Make or Break
250VDC	0.55A Make or Break
301 to 600VDC	0.2A Make or Break
Legend:	
Material	Brushed aluminum
Inscription	FORWARD, REVERSE and STOP
Background color / foreground color	Aluminum / black
Dimensions	2" wide x 1 7/16" top to center line

Mounting/wiring:	
Mounting type	Rear
Mounting torque	177 lb in. (14.75 lb ft.)
Mounting diameter	30.5 mm
Wire connection type / torque	Screw-type terminals / 7 lb in. - 9 lb in.
Solid & stranded conductors	2 x (18 - 12 AWG) CU 60/75°C
Wires included	Yes
Certificates/approvals:	
	ISO 9001 certification
Additional information:	
	Instruction Sheet





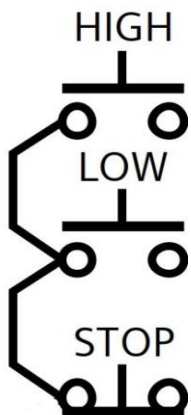
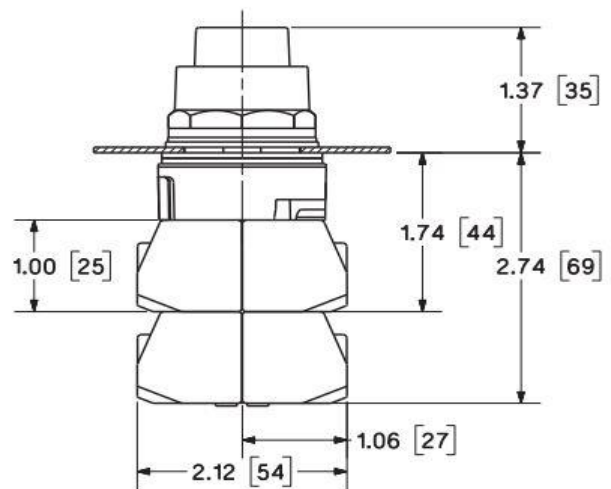
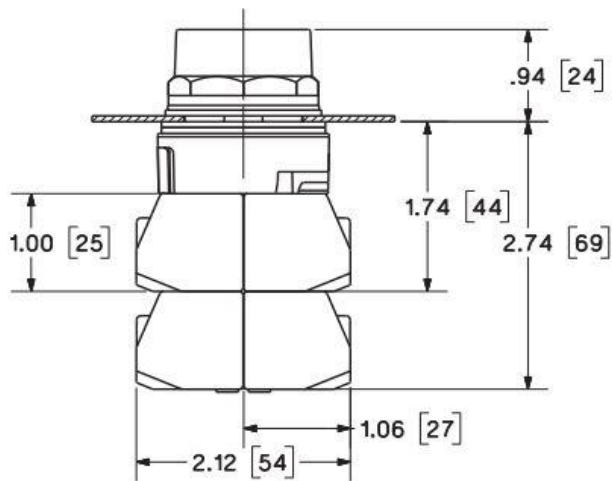
Push Buttons
30 mm
HIGH, LOW and STOP Legends



Image is representative and may not depict the actual product.

General technical data:	
Weight	1.2 lb
Height x Width x Depth	(refer to outline diagrams below)
Finger-safe	Yes
Environmental ratings	NEMA 1, 3, 3R, 4, 12 & 13
Maximum altitude	(no data)
Ambient storage temperature	(-40 to 85)°C / (-40 to 185)°F
Ambient operating temperature	(-35 to 70)°C / (-31 to 158)°F
Humidity (% non-condensing)	(no data)
Country of origin	Mexico
Material of front ring	Metal with chrome plating
Actuator:	
Type	Flush pushbutton (HIGH & LOW); Raised pushbutton (STOP)
Material	Plastic
Color	Black (HIGH & LOW); Red (STOP)
Illumination	None
Switching positions	2 momentary positions
Mechanical service life (switching cycles)	5,000,000 operating cycles
Contact Block:	
Number of NC contacts	1 (STOP)
Number of NO contacts	1 each (HIGH & LOW)
Operating Current at A600:	
Thermal continuous test circuit	10A
120VAC	60A Make / 6A Break
240VAC	30A Make / 3A Break
480VAC	15A Make / 1.5A Break
600VAC	12A Make / 1.2A Break
Operating Current at P600:	
Thermal continuous test circuit	5A
125VDC	1.1A Make or Break
250VDC	0.55A Make or Break
301 to 600VDC	0.2A Make or Break
Legend:	
Material	Brushed aluminum
Inscription	HIGH, LOW and STOP
Background color / foreground color	Aluminum / black
Dimensions	2" wide x 1 7/16" top to center line

Mounting/wiring:	
Mounting type	Rear
Mounting torque	177 lb in. (14.75 lb ft.)
Mounting diameter	30.5 mm
Wire connection type / torque	Screw-type terminals / 7 lb in. - 9 lb in.
Solid & stranded conductors	2 x (18 - 12 AWG) CU 60/75°C
Wires included	Yes
Certificates/approvals:	
	ISO 9001 certification
Additional information:	
	Instruction Sheet





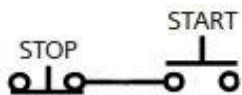
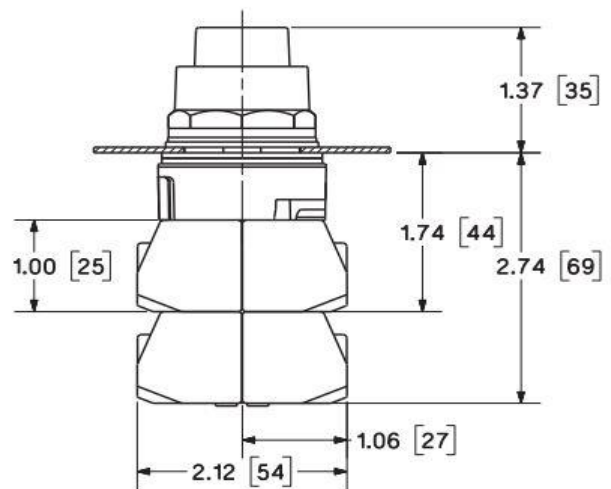
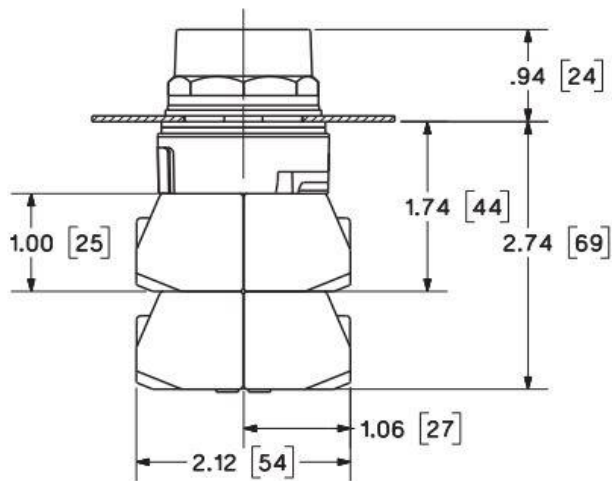
Push Buttons
30 mm
START and STOP Legends



Image is representative and may not depict the actual product.

General technical data:	
Weight	0.75 lb
Height x Width x Depth	(refer to outline diagrams below)
Finger-safe	Yes
Environmental ratings	NEMA 1, 3, 3R, 4, 12 & 13
Maximum altitude	(no data)
Ambient storage temperature	(-40 to 85)°C / (-40 to 185)°F
Ambient operating temperature	(-35 to 70)°C / (-31 to 158)°F
Humidity (% non-condensing)	(no data)
Country of origin	Mexico
Material of front ring	Metal with chrome plating
Actuator:	
Type	Flush pushbutton (START); Raised pushbutton (STOP)
Material	Plastic
Color	Black (START); Red (STOP)
Illumination	None
Switching positions	2 momentary positions
Mechanical service life (switching cycles)	5,000,000 operating cycles
Contact Block:	
Number of NC contacts	1 (STOP)
Number of NO contacts	1 (START)
Operating Current at A600:	
Thermal continuous test circuit	10A
120VAC	60A Make / 6A Break
240VAC	30A Make / 3A Break
480VAC	15A Make / 1.5A Break
600VAC	12A Make / 1.2A Break
Operating Current at P600:	
Thermal continuous test circuit	5A
125VDC	1.1A Make or Break
250VDC	0.55A Make or Break
301 to 600VDC	0.2A Make or Break
Legend:	
Material	Brushed aluminum
Inscription	START and STOP
Background color / foreground color	Aluminum / black
Dimensions	2" wide x 1 7/16" top to center line

Mounting/wiring:	
Mounting type	Rear
Mounting torque	177 lb in. (14.75 lb ft.)
Mounting diameter	30.5 mm
Wire connection type / torque	Screw-type terminals / 7 lb in. - 9 lb in.
Solid & stranded conductors	2 x (18 - 12 AWG) CU 60/75°C
Wires included	Yes
Certificates/approvals:	
	ISO 9001 certification
Additional information:	
	Instruction Sheet





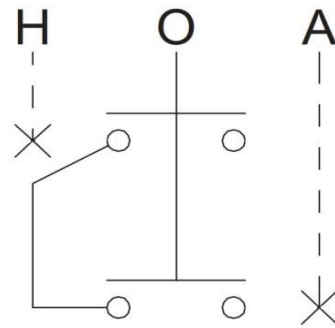
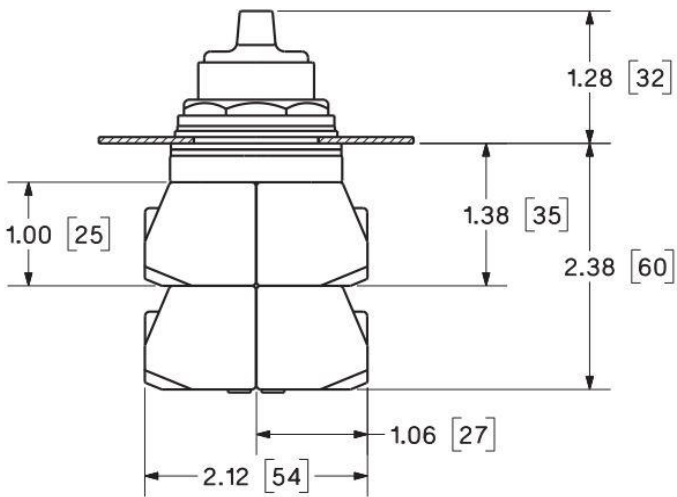
Selector Switch
30 mm
Three position maintained
HAND - OFF - AUTO Legend

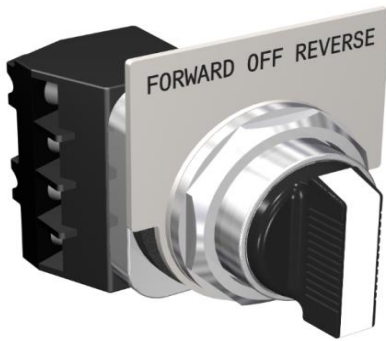


Image is representative and may not depict the actual product.

General technical data:	
Weight	0.35 lb
Height x Width x Depth	2.1 x 2.0 x 3.66 in
Finger-safe	Yes
Environmental ratings	NEMA 1, 3, 3R, 4, 12 & 13
Maximum altitude	(no data)
Ambient storage temperature	(-40 to 85)°C / (-40 to 185)°F
Ambient operating temperature	(-35 to 70)°C / (-31 to 158)°F
Humidity (% non-condensing)	(no data)
Country of origin	Mexico
Material of front ring	Metal with chrome plating
Actuator:	
Type	Short lever
Material	Plastic
Illumination	None
Switching positions	3 maintained positions
Mechanical service life (switching cycles)	2,000,000 operating cycles
Contact Block:	
Number of NC contacts	1
Number of NO contacts	1
Operating Current at A600:	
Thermal continuous test circuit	10A
120VAC	60A Make / 6A Break
240VAC	30A Make / 3A Break
480VAC	15A Make / 1.5A Break
600VAC	12A Make / 1.2A Break
Operating Current at P600:	
Thermal continuous test circuit	5A
125VDC	1.1A Make or Break
250VDC	0.55A Make or Break
301 to 600VDC	0.2A Make or Break
Legend:	
Material	Brushed aluminum
Inscription	HAND OFF AUTO
Background color / foreground color	Aluminum / black
Dimensions	2" wide x 1 7/16" top to center line

Mounting/wiring:	
Mounting type	Rear
Mounting torque	177 lb in. (14.75 lb ft.)
Mounting diameter	30.5 mm
Wire connection type / torque	Screw-type terminals / 7 lb in. - 9 lb in.
Solid & stranded conductors	2 x (18 - 12 AWG) CU 60/75°C
Wires included	Yes
Certificates/approvals:	
	ISO 9001 certification
Additional information:	
	Instruction Sheet





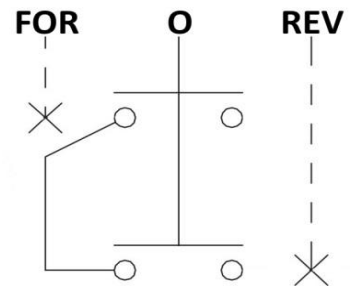
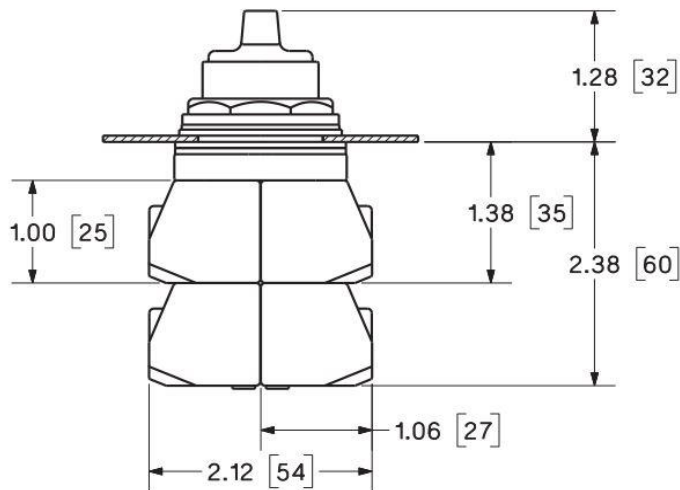
Selector Switch
30 mm
Three position maintained
FORWARD - OFF - REVERSE Legend

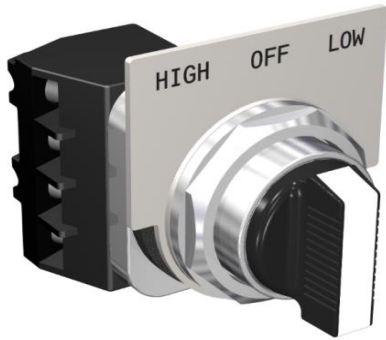


Image is representative and may not depict the actual product.

General technical data:	
Weight	0.35 lb
Height x Width x Depth	2.1 x 2.0 x 3.66 in
Finger-safe	Yes
Environmental ratings	NEMA 1, 3, 3R, 4, 12 & 13
Maximum altitude	(no data)
Ambient storage temperature	(-40 to 85)°C / (-40 to 185)°F
Ambient operating temperature	(-35 to 70)°C / (-31 to 158)°F
Humidity (% non-condensing)	(no data)
Country of origin	Mexico
Material of front ring	Metal with chrome plating
Actuator:	
Type	Short lever
Material	Plastic
Illumination	None
Switching positions	3 maintained positions
Mechanical service life (switching cycles)	2,000,000 operating cycles
Contact Block:	
Number of NC contacts	1
Number of NO contacts	1
Operating Current at A600:	
Thermal continuous test circuit	10A
120VAC	60A Make / 6A Break
240VAC	30A Make / 3A Break
480VAC	15A Make / 1.5A Break
600VAC	12A Make / 1.2A Break
Operating Current at P600:	
Thermal continuous test circuit	5A
125VDC	1.1A Make or Break
250VDC	0.55A Make or Break
301 to 600VDC	0.2A Make or Break
Legend:	
Material	Brushed aluminum
Inscription	FORWARD OFF REVERSE
Background color / foreground color	Aluminum / black
Dimensions	2" wide x 1 7/16" top to center line

Mounting/wiring:	
Mounting type	Rear
Mounting torque	177 lb in. (14.75 lb ft.)
Mounting diameter	30.5 mm
Wire connection type / torque	Screw-type terminals / 7 lb in. - 9 lb in.
Solid & stranded conductors	2 x (18 - 12 AWG) CU 60/75°C
Wires included	Yes
Certificates/approvals:	
ISO 9001 certification	
Additional information:	
Instruction Sheet	





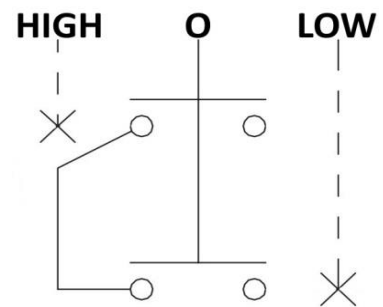
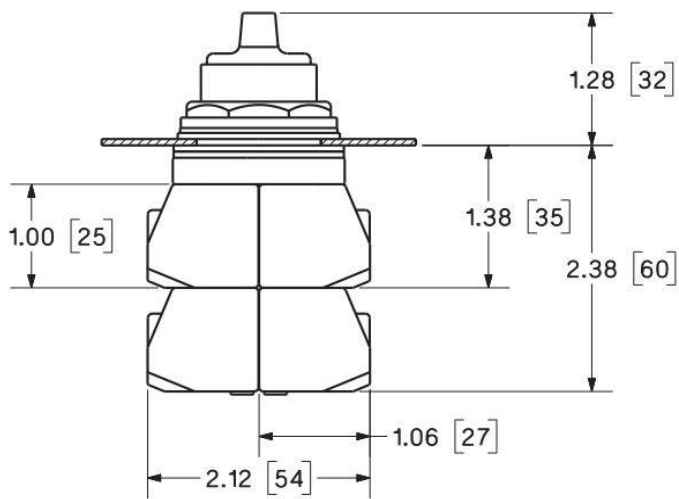
Selector Switch
30 mm
Three position maintained
HIGH - OFF - LOW Legend

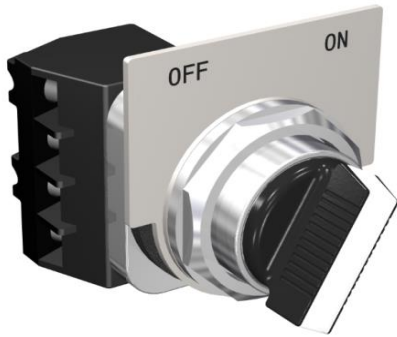


Image is representative and may not depict the actual product.

General technical data:	
Weight	0.35 lb
Height x Width x Depth	2.1 x 2.0 x 3.66 in
Finger-safe	Yes
Environmental ratings	NEMA 1, 3, 3R, 4, 12 & 13
Maximum altitude	(no data)
Ambient storage temperature	(-40 to 85)°C / (-40 to 185)°F
Ambient operating temperature	(-35 to 70)°C / (-31 to 158)°F
Humidity (% non-condensing)	(no data)
Country of origin	Mexico
Material of front ring	Metal with chrome plating
Actuator:	
Type	Short lever
Material	Plastic
Illumination	None
Switching positions	3 maintained positions
Mechanical service life (switching cycles)	2,000,000 operating cycles
Contact Block:	
Number of NC contacts	1
Number of NO contacts	1
Operating Current at A600:	
Thermal continuous test circuit	10A
120VAC	60A Make / 6A Break
240VAC	30A Make / 3A Break
480VAC	15A Make / 1.5A Break
600VAC	12A Make / 1.2A Break
Operating Current at P600:	
Thermal continuous test circuit	5A
125VDC	1.1A Make or Break
250VDC	0.55A Make or Break
301 to 600VDC	0.2A Make or Break
Legend:	
Material	Brushed aluminum
Inscription	HIGH OFF LOW
Background color / foreground color	Aluminum / black
Dimensions	2" wide x 1 7/16" top to center line

Mounting/wiring:	
Mounting type	Rear
Mounting torque	177 lb in. (14.75 lb ft.)
Mounting diameter	30.5 mm
Wire connection type / torque	Screw-type terminals / 7 lb in. - 9 lb in.
Solid & stranded conductors	2 x (18 - 12 AWG) CU 60/75°C
Wires included	Yes
Certificates/approvals:	
	ISO 9001 certification
Additional information:	
	Instruction Sheet





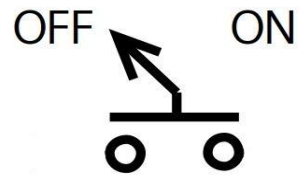
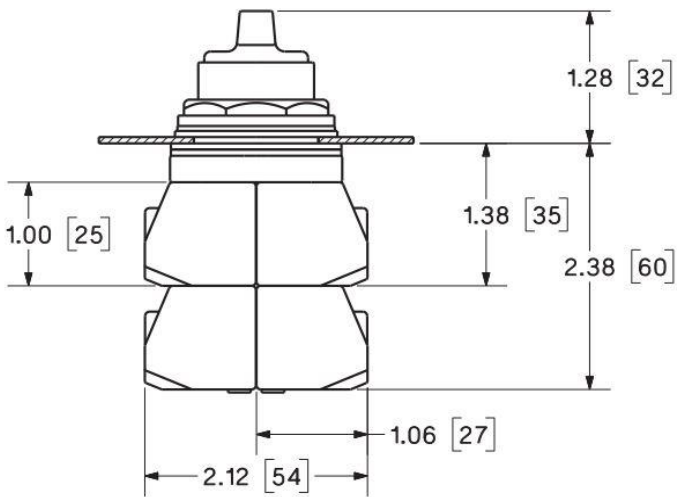
Selector Switch
30 mm
Two position maintained
OFF - ON Legend

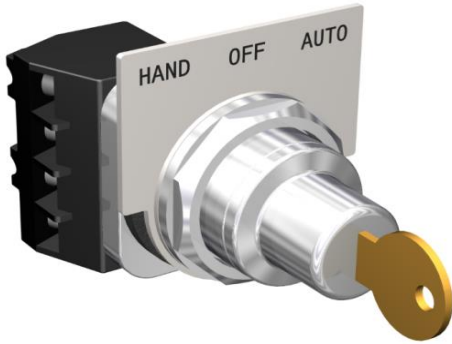


Image is representative and may not depict the actual product.

General technical data:	
Weight	0.35 lb
Height x Width x Depth	2.1 x 2.0 x 3.66 in
Finger-safe	Yes
Environmental ratings	NEMA 1, 3, 3R, 4, 12 & 13
Maximum altitude	(no data)
Ambient storage temperature	(-40 to 85)°C / (-40 to 185)°F
Ambient operating temperature	(-35 to 70)°C / (-31 to 158)°F
Humidity (% non-condensing)	(no data)
Country of origin	Mexico
Material of front ring	Metal with chrome plating
Actuator:	
Type	Short lever
Material	Plastic
Illumination	None
Switching positions	2 maintained positions
Mechanical service life (switching cycles)	2,000,000 operating cycles
Contact Block:	
Number of NC contacts	0
Number of NO contacts	1
Operating Current at A600:	
Thermal continuous test circuit	10A
120VAC	60A Make / 6A Break
240VAC	30A Make / 3A Break
480VAC	15A Make / 1.5A Break
600VAC	12A Make / 1.2A Break
Operating Current at P600:	
Thermal continuous test circuit	5A
125VDC	1.1A Make or Break
250VDC	0.55A Make or Break
301 to 600VDC	0.2A Make or Break
Legend:	
Material	Brushed aluminum
Inscription	OFF ON
Background color / foreground color	Aluminum / black
Dimensions	2" wide x 1 7/16" top to center line

Mounting/wiring:	
Mounting type	Rear
Mounting torque	177 lb in. (14.75 lb ft.)
Mounting diameter	30.5 mm
Wire connection type / torque	Screw-type terminals / 7 lb in. - 9 lb in.
Solid & stranded conductors	2 x (18 - 12 AWG) CU 60/75°C
Wires included	Yes
Certificates/approvals:	
	ISO 9001 certification
Additional information:	
	Instruction Sheet





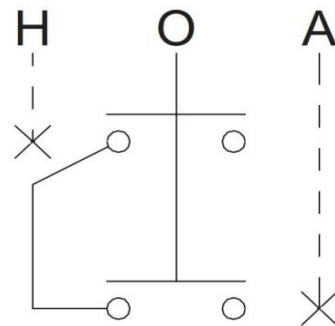
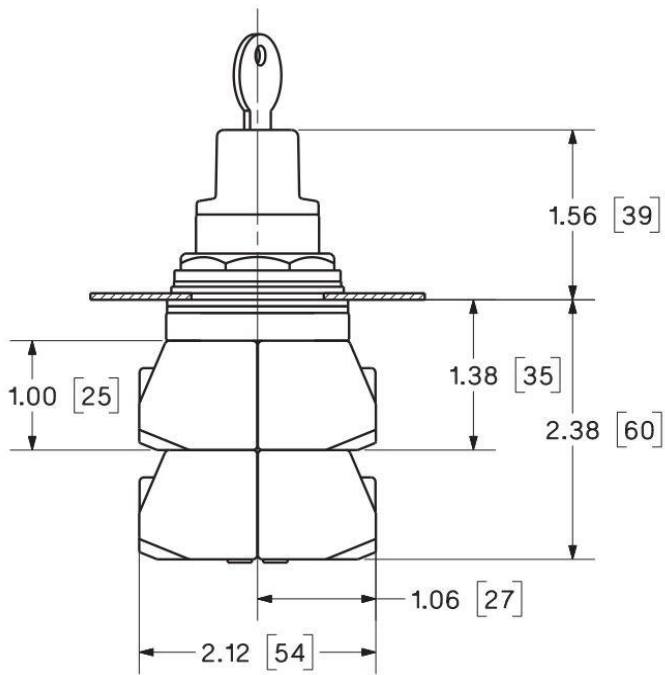
Selector switch, keyed
30 mm
Three position maintained
HAND - OFF - AUTO legend



Image is representative and may not depict the actual product.

General technical data:	
Weight	0.55 lb
Height x Width x Depth	2.1 x 2.0 x 3.94 in (without key)
Finger-safe	Yes
Environmental ratings	NEMA 1, 3, 3R, 4, 12 & 13
Maximum altitude	(no data)
Ambient storage temperature	(-40 to 85)°C / (-40 to 185)°F
Ambient operating temperature	(-35 to 70)°C / (-31 to 158)°F
Humidity (% non-condensing)	(no data)
Country of origin	Mexico
Material of front ring	Metal with chrome plating
Actuator:	
Type	Short lever
Material	Plastic
Illumination	None
Switching positions	3 maintained positions
Key removal	All positions
Mechanical service life (switching cycles)	2,000,000 operating cycles
Contact Block:	
Number of NC contacts	1
Number of NO contacts	1
Operating Current at A600:	
Thermal continuous test circuit	10A
120VAC	60A Make / 6A Break
240VAC	30A Make / 3A Break
480VAC	15A Make / 1.5A Break
600VAC	12A Make / 1.2A Break
Operating Current at P600:	
Thermal continuous test circuit	5A
125VDC	1.1A Make or Break
250VDC	0.55A Make or Break
301 to 600VDC	0.2A Make or Break
Legend:	
Material	Brushed aluminum
Inscription	HAND OFF AUTO
Background color / foreground color	Aluminum / black
Dimensions	2" wide x 1 7/16" top to center line

Mounting/wiring:	
Mounting type	Rear
Mounting torque	177 lb in. (14.75 lb ft.)
Mounting diameter	30.5 mm
Wire connection type / torque	Screw-type terminals / 7 lb in. - 9 lb in.
Solid & stranded conductors	2 x (18 - 12 AWG) CU 60/75°C
Wires included	Yes
Certificates/approvals:	
	ISO 9001 certification
Additional information:	
	Instruction Sheet





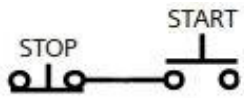
Push Buttons
START and STOP Legends
For use with enclosures with lift-off covers



Image is representative and may not depict the actual product.

General technical data:	
Weight	0.3 lb
Height x Width x Depth	3.5 x 1.75 x 4.5 in
Finger-safe	No
Environmental ratings	NEMA 1
Maximum altitude	(no data)
Ambient storage temperature	(-30 to 65)°C / (-22 to 149)°F
Ambient operating temperature	(-20 to 40)°C / (-4 to 104)°F
Humidity (% non-condensing)	(no data)
Country of origin	Mexico
Actuator:	
Type	Flush pushbutton (START); Raised pushbutton (STOP)
Material	Plastic
Color	Gray (START); Red (STOP)
Illumination	None
Switching positions	2 momentary positions
Mechanical service life (switching cycles)	(no data)
Contact Block:	
Number of NC contacts	1 (STOP)
Number of NO contacts	1 (START)
Operating Current at B600:	
Thermal continuous test circuit	5A
120VAC	30A Make / 3A Break
240VAC	15A Make / 1.5A Break
480VAC	7.5A Make / 0.75A Break
600VAC	6A Make / 0.6A Break
Operating Current at R300:	
Thermal continuous test circuit	1A
125VDC	0.22A Make or Break
250VDC	0.11A Make or Break
301 to 600VDC	NA
Legend:	
Material	Synthetic paper label with adhesive back
Inscription	START STOP
Background color / foreground color	Gray / white (START); Red / white (STOP)
Mounting/wiring:	
Mounting type	Bracket for use with enclosures with lift-off covers
Mounting torque	25 - 30 lb in.
Wire connection type / torque	Screw-type terminals / 10 lb in. - 15 lb in.
Solid & stranded conductors	1 x (12 AWG), 2 x (16 - 14 AWG), 2 x (18 - 16 AWG) 75°C CU
Wires included	Yes

Certificates/approvals:	
	ISO 9001 certification
Additional information:	
	Instruction Sheet





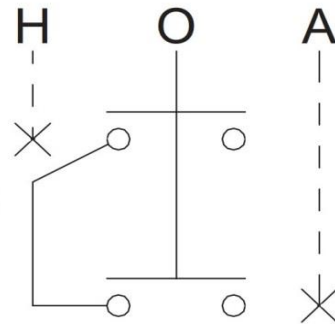
Selector Switch
Three position maintained
HAND - OFF - AUTO Legend
For use with enclosures with lift-off covers



Image is representative and may not depict the actual product.

General technical data:	
Weight	0.3 lb
Height x Width x Depth	3.5 x 1.75 x 4.5 in
Finger-safe	No
Environmental ratings	NEMA 1
Maximum altitude	(no data)
Ambient storage temperature	(-30 to 65)°C / (-22 to 149)°F
Ambient operating temperature	(-20 to 40)°C / (-4 to 104)°F
Humidity (% non-condensing)	(no data)
Country of origin	Mexico
Actuator:	
Type	Short lever
Material	Plastic
Illumination	None
Switching positions	3 maintained positions
Mechanical service life (switching cycles)	(no data)
Contact Block:	
Number of NC contacts	0
Number of NO contacts	2
Operating Current at B600:	
Thermal continuous test circuit	5A
120VAC	30A Make / 3A Break
240VAC	15A Make / 1.5A Break
480VAC	7.5A Make / 0.75A Break
600VAC	6A Make / 0.6A Break
Operating Current at R300:	
Thermal continuous test circuit	1A
125VDC	0.22A Make or Break
250VDC	0.11A Make or Break
301 to 600VDC	NA
Legend:	
Material	Synthetic paper label with adhesive back
Inscription	HAND OFF AUTO
Background color / foreground color	Gray / black
Mounting/wiring:	
Mounting type	Bracket for use with enclosures with lift-off covers
Mounting torque	25 - 30 lb in.
Wire connection type / torque	Screw-type terminals / 10 lb in. - 15 lb in.
Solid & stranded conductors	1 x (12 AWG), 2 x (16 - 14 AWG), 2 x (18 - 16 AWG) 75°C CU
Wires included	Yes

Certificates/approvals:	ISO 9001 certification
Additional information:	Instruction Sheet





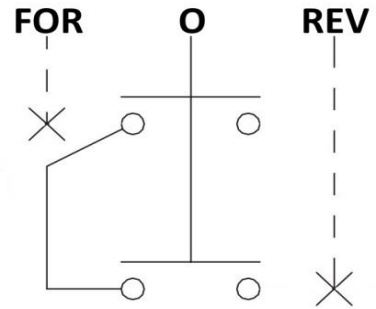
Selector Switch
Three position maintained
FOR - OFF - REV Legend
For use with enclosures with lift-off covers



Image is representative and may not depict the actual product.

General technical data:	
Weight	0.3 lb
Height x Width x Depth	3.5 x 1.75 x 4.5 in
Finger-safe	No
Environmental ratings	NEMA 1
Maximum altitude	(no data)
Ambient storage temperature	(-30 to 65)°C / (-22 to 149)°F
Ambient operating temperature	(-20 to 40)°C / (-4 to 104)°F
Humidity (% non-condensing)	(no data)
Country of origin	Mexico
Actuator:	
Type	Short lever
Material	Plastic
Illumination	None
Switching positions	3 maintained positions
Mechanical service life (switching cycles)	(no data)
Contact Block:	
Number of NC contacts	0
Number of NO contacts	2
Operating Current at B600:	
Thermal continuous test circuit	5A
120VAC	30A Make / 3A Break
240VAC	15A Make / 1.5A Break
480VAC	7.5A Make / 0.75A Break
600VAC	6A Make / 0.6A Break
Operating Current at R300:	
Thermal continuous test circuit	1A
125VDC	0.22A Make or Break
250VDC	0.11A Make or Break
301 to 600VDC	NA
Legend:	
Material	Synthetic paper label with adhesive back
Inscription	FOR OFF REV
Background color / foreground color	Gray / black
Mounting/wiring:	
Mounting type	Bracket for use with enclosures with lift-off covers
Mounting torque	25 - 30 lb in.
Wire connection type / torque	Screw-type terminals / 10 lb in. - 15 lb in.
Solid & stranded conductors	1 x (12 AWG), 2 x (16 - 14 AWG), 2 x (18 - 16 AWG) 75°C CU
Wires included	Yes

Certificates/approvals:	
	ISO 9001 certification
Additional information:	
	Instruction Sheet





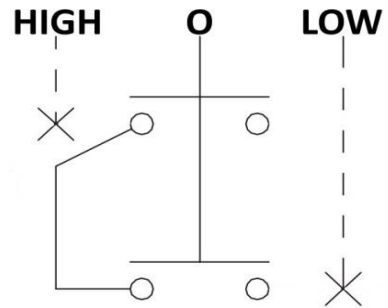
Selector Switch
Three position maintained
HIGH - OFF - LOW Legend
For use with enclosures with lift-off covers



Image is representative and may not depict the actual product.

General technical data:	
Weight	0.3 lb
Height x Width x Depth	3.5 x 1.75 x 4.5 in
Finger-safe	No
Environmental ratings	NEMA 1
Maximum altitude	(no data)
Ambient storage temperature	(-30 to 65)°C / (-22 to 149)°F
Ambient operating temperature	(-20 to 40)°C / (-4 to 104)°F
Humidity (% non-condensing)	(no data)
Country of origin	Mexico
Actuator:	
Type	Short lever
Material	Plastic
Illumination	None
Switching positions	3 maintained positions
Mechanical service life (switching cycles)	(no data)
Contact Block:	
Number of NC contacts	0
Number of NO contacts	2
Operating Current at B600:	
Thermal continuous test circuit	5A
120VAC	30A Make / 3A Break
240VAC	15A Make / 1.5A Break
480VAC	7.5A Make / 0.75A Break
600VAC	6A Make / 0.6A Break
Operating Current at R300:	
Thermal continuous test circuit	1A
125VDC	0.22A Make or Break
250VDC	0.11A Make or Break
301 to 600VDC	NA
Legend:	
Material	Synthetic paper label with adhesive back
Inscription	HIGH OFF LOW
Background color / foreground color	Gray / black
Mounting/wiring:	
Mounting type	Bracket for use with enclosures with lift-off covers
Mounting torque	25 - 30 lb in.
Wire connection type / torque	Screw-type terminals / 10 lb in. - 15 lb in.
Solid & stranded conductors	1 x (12 AWG), 2 x (16 - 14 AWG), 2 x (18 - 16 AWG) 75°C CU
Wires included	Yes

Certificates/approvals:	ISO 9001 certification
Additional information:	Instruction Sheet





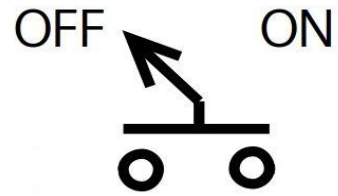
Selector Switch
Two position maintained
OFF ON Legend
For use with enclosures with lift-off covers



Image is representative and may not depict the actual product.

General technical data:	
Weight	0.3 lb
Height x Width x Depth	3.5 x 1.75 x 4.5 in
Finger-safe	No
Environmental ratings	NEMA 1
Maximum altitude	(no data)
Ambient storage temperature	(-30 to 65)°C / (-22 to 149)°F
Ambient operating temperature	(-20 to 40)°C / (-4 to 104)°F
Humidity (% non-condensing)	(no data)
Country of origin	Mexico
Actuator:	
Type	Short lever
Material	Plastic
Illumination	None
Switching positions	2 maintained positions
Mechanical service life (switching cycles)	(no data)
Contact Block:	
Number of NC contacts	0
Number of NO contacts	1
Operating Current at B600:	
Thermal continuous test circuit	5A
120VAC	30A Make / 3A Break
240VAC	15A Make / 1.5A Break
480VAC	7.5A Make / 0.75A Break
600VAC	6A Make / 0.6A Break
Operating Current at R300:	
Thermal continuous test circuit	1A
125VDC	0.22A Make or Break
250VDC	0.11A Make or Break
301 to 600VDC	NA
Legend:	
Material	Synthetic paper label with adhesive back
Inscription	OFF ON
Background color / foreground color	Gray / black
Mounting/wiring:	
Mounting type	Bracket for use with enclosures with lift-off covers
Mounting torque	25 - 30 lb in.
Wire connection type / torque	Screw-type terminals / 10 lb in. - 15 lb in.
Solid & stranded conductors	1 x (12 AWG), 2 x (16 - 14 AWG), 2 x (18 - 16 AWG) 75°C CU
Wires included	Yes

Certificates/approvals:	
	ISO 9001 certification
Additional information:	
	Instruction Sheet





Pilot light
Full-voltage neon bulb
Red, green and amber lenses
ON, RUN, OFF, OL TRIPPED, FORWARD, REVERSE,
LOW and HIGH legends
For use with enclosures with lift-off covers

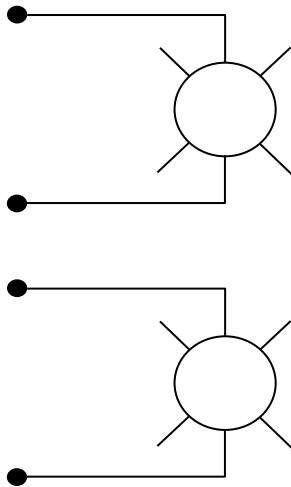


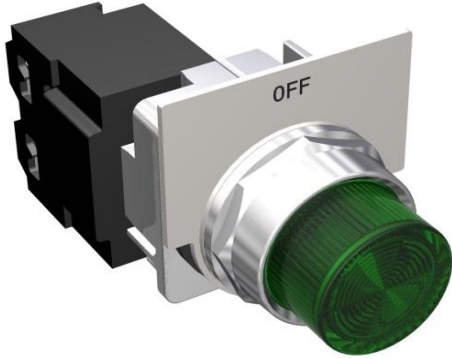
Image is representative and may not depict the actual product.

General technical data:	
Weight	0.30 lb
Height x Width x Depth	96 x 54 x 39 mm
Finger-safe	Yes
Environmental ratings	NEMA 1
Maximum altitude	(no data)
Ambient storage temperature	(-25 to 80)°C / (-13 to 176)°F
Ambient operating temperature	(-20 to 60)°C / (-4 to 140)°F
Humidity (% non-condensing)	(no data)
Country of origin	Mexico
Resistance against vibration per IEC 60068-2-6	(no data)
Rated life	25,000 Hours
Operating voltage:	
49SBLBJ	Nominal: 24VAC; Range: 22 - 26VAC
49SBLBF	Nominal: 115VAC; Range: 105 - 125VAC
49SBLBG	Nominal: 230VAC; Range: 208 - 250VAC
49SBLBH	Nominal: 480VAC; Range: 432 - 528VAC
49SBLBE	Nominal: 600VAC; Range: 540 - 660VAC
Lamps:	
Number of lamps and lamp holders	2
Type	Neon, non-relampable (rated 1.5 mA)
Lens:	
Number of lenses	3
Material	Plastic
Color	Red, green and amber
Legend:	
Material	Synthetic paper label with adhesive back
Inscription	ON,RUN,OFF,OL TRIPPED,FORWARD,REVERSE,LOW,HIGH
Background color / foreground color	Black / white
Dimensions	17 mm wide x 12 mm high
Mounting/wiring:	
Mounting type	Bracket for use with enclosures with lift-off covers
Mounting torque	25 - 30 lb in.
Wire connection type / torque	NA (wire leads)
Stranded conductors	20 AWG CU 105°C
Wires included	Yes

Certificates/approvals:	ISO 9001 certification
Additional information:	Instruction Sheet

Note: The addition of auxiliary contacts, not included, may be required to complete the control circuit.





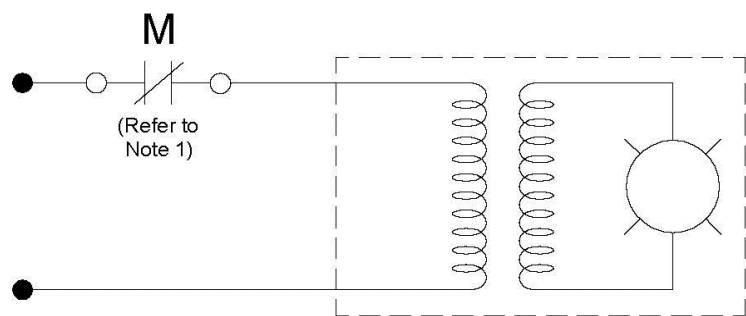
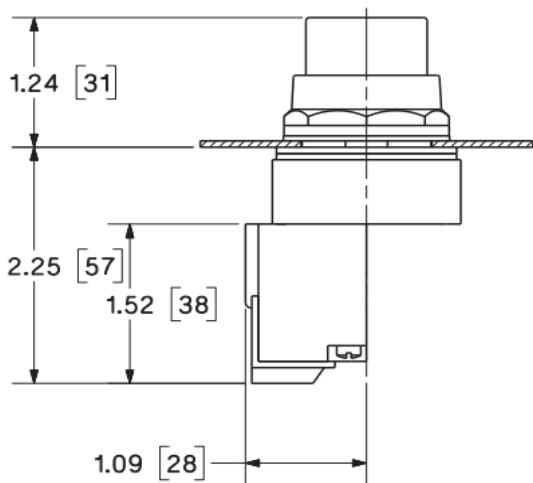
Pilot light
30 mm
Transformer type (except 24VAC which is full voltage)
Green lens
"OFF" legend



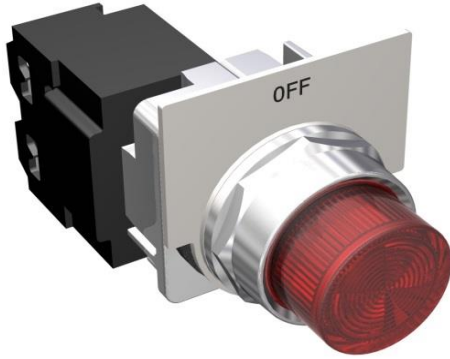
Image is representative and may not depict the actual product.

General technical data:	
Weight	0.55 lb
Height x Width x Depth	2.0 x 1.7 x 3.5 in
Finger-safe	Yes
Environmental ratings	NEMA 1, 3, 3R, 4, 12 & 13
Maximum altitude	(no data)
Ambient storage temperature	(-40 to 85)°C / (-40 to 185)°F
Ambient operating temperature	(-35 to 70)°C / (-31 to 158)°F
Humidity (% non-condensing)	(no data)
Country of origin	Mexico
Resistance against vibration per IEC 60068-2-6	5 - 60 Hz: 5.5g
Maximum operating cycles	1,000 per hour
Material of front ring	Metal with chrome plating
Auxiliary Contact	(Refer to Note 1)
Operating voltage (transformer input):	
49SPL0AGJ (full voltage non-transformer type)	Nominal: 24VAC; Range: 21.6 - 26.4VAC
49SPL0AGF	Nominal: 120VAC; Range: 108 - 132VAC
49SPL0AGG	Nominal: 240VAC; Range: 216 - 264VAC
49SPL0AGH	Nominal: 480VAC; Range: 432 - 528VAC
49SPL0AGE	Nominal: 600VAC; Range: 540 - 660VAC
Lamp:	
Number of lamp holders	1
Type (used with 24VAC full voltage pilot light)	24V incandescent type 757 (rated 80 mA)
Type (used with 120, 240, 480 & 600 VAC transformer P.L.)	6V incandescent type 755 (rated 150 mA)
Lens:	
Material	Plastic
Color	Green
Legend:	
Material	Brushed aluminum
Inscription	OFF
Background color / foreground color	Aluminum / black
Dimensions	2" wide x 1 7/16" top to center line
Mounting/wiring:	
Mounting type	Rear
Mounting torque	177 lb in. (14.75 lb ft.)
Mounting diameter	30.5 mm
Wire connection type / torque	Screw-type terminals / 7 lb in. - 9 lb in.
Solid & stranded conductors	2 x (18 - 12 AWG) CU 60/75°C
Wires included	Yes

Certificates/approvals:	ISO 9001 certification
Additional information:	Instruction Sheet



1. The normally closed (NC) auxiliary contact included with kit is for use with only Class 14, 22, 30, 40 & 43 contactors/starters sizes 00 – 4. For all other controllers, discard the auxiliary contact included with kit and order as separate the appropriate auxiliary contact.



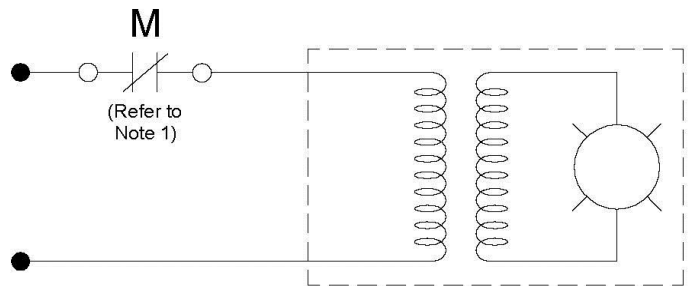
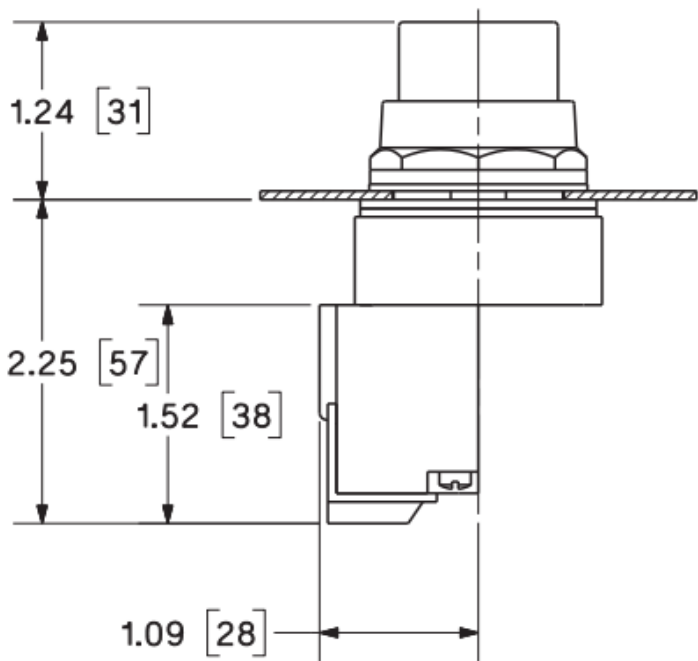
Pilot light
30 mm
Transformer type (except 24VAC which is full voltage)
Red lens
"OFF" legend



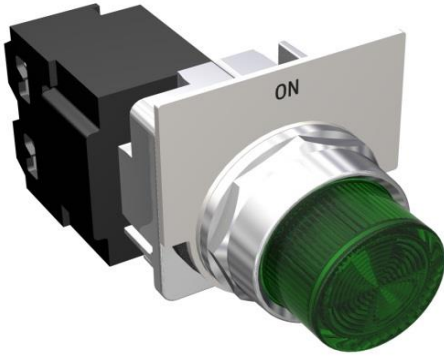
Image is representative and may not depict the actual product.

General technical data:	
Weight	0.55 lb
Height x Width x Depth	2.0 x 1.7 x 3.5 in
Finger-safe	Yes
Environmental ratings	NEMA 1, 3, 3R, 4, 12 & 13
Maximum altitude	(no data)
Ambient storage temperature	(-40 to 85)°C / (-40 to 185)°F
Ambient operating temperature	(-35 to 70)°C / (-31 to 158)°F
Humidity (% non-condensing)	(no data)
Country of origin	Mexico
Resistance against vibration per IEC 60068-2-6	5 - 60 Hz: 5.5g
Maximum operating cycles	1,000 per hour
Material of front ring	Metal with chrome plating
Auxiliary Contact	(Refer to Note 1)
Operating voltage (transformer input):	
49SPL0ARJ (full voltage non-transformer type)	Nominal: 24VAC; Range: 21.6 - 26.4VAC
49SPL0ARF	Nominal: 120VAC; Range: 108 - 132VAC
49SPL0ARG	Nominal: 240VAC; Range: 216 - 264VAC
49SPL0ARH	Nominal: 480VAC; Range: 432 - 528VAC
49SPL0ARE	Nominal: 600VAC; Range: 540 - 660VAC
Lamp:	
Number of lamp holders	1
Type (used with 24VAC full voltage pilot light)	24V incandescent type 757 (rated 80 mA)
Type (used with 120, 240, 480 & 600 VAC transformer P.L.)	6V incandescent type 755 (rated 150 mA)
Lens:	
Material	Plastic
Color	Red
Legend:	
Material	Brushed aluminum
Inscription	OFF
Background color / foreground color	Aluminum / black
Dimensions	2" wide x 1 7/16" top to center line
Mounting/wiring:	
Mounting type	Rear
Mounting torque	177 lb in. (14.75 lb ft.)
Mounting diameter	30.5 mm
Wire connection type / torque	Screw-type terminals / 7 lb in. - 9 lb in.
Solid & stranded conductors	2 x (18 - 12 AWG) CU 60/75°C
Wires included	Yes

Certificates/approvals:	ISO 9001 certification
Additional information:	Instruction Sheet
Notes:	



1. The normally closed (NC) auxiliary contact included with kit is for use with only Class 14, 22, 30, 40 & 43 contactors/starters sizes 00 – 4. For all other controllers, discard the auxiliary contact included with kit and order as separate the appropriate auxiliary contact.



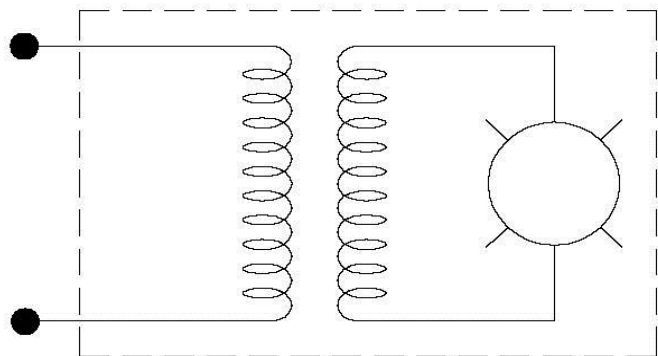
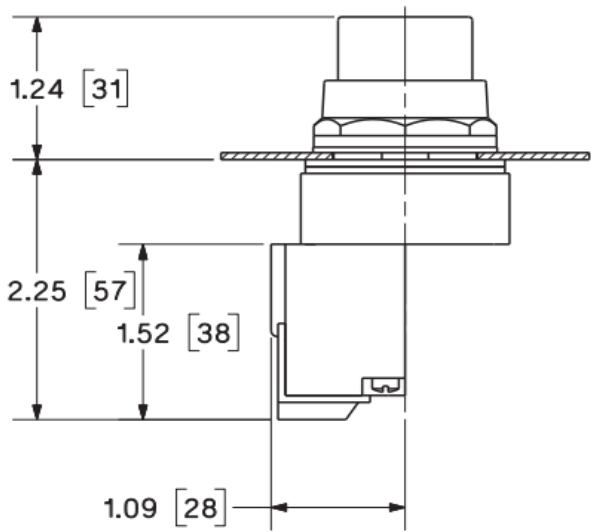
Pilot light
30 mm
Transformer type (except 24VAC which is full voltage)
Green lens
"ON" legend

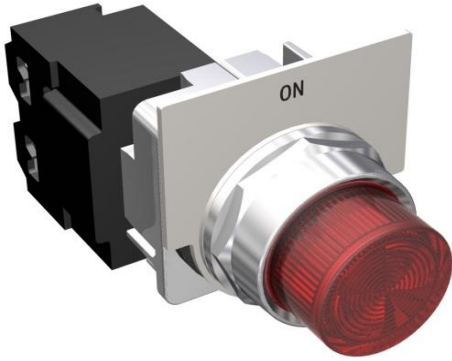


Image is representative and may not depict the actual product.

General technical data:	
Weight	0.55 lb
Height x Width x Depth	2.0 x 1.7 x 3.5 in
Finger-safe	Yes
Environmental ratings	NEMA 1, 3, 3R, 4, 12 & 13
Maximum altitude	(no data)
Ambient storage temperature	(-40 to 85)°C / (-40 to 185)°F
Ambient operating temperature	(-35 to 70)°C / (-31 to 158)°F
Humidity (% non-condensing)	(no data)
Country of origin	Mexico
Resistance against vibration per IEC 60068-2-6	5 - 60 Hz: 5.5g
Maximum operating cycles	1,000 per hour
Material of front ring	Metal with chrome plating
Operating voltage (transformer input):	
49SPL0BGJ (full voltage non-transformer type)	Nominal: 24VAC; Range: 21.6 - 26.4VAC
49SPL0BGF	Nominal: 120VAC; Range: 108 - 132VAC
49SPL0BGG	Nominal: 240VAC; Range: 216 - 264VAC
49SPL0BGH	Nominal: 480VAC; Range: 432 - 528VAC
49SPL0BGE	Nominal: 600VAC; Range: 540 - 660VAC
Lamp:	
Number of lamp holders	1
Type (used with 24VAC full voltage pilot light)	24V incandescent type 757 (rated 80 mA)
Type (used with 120, 240, 480 & 600 VAC transformer P.L.)	6V incandescent type 755 (rated 150 mA)
Lens:	
Material	Plastic
Color	Green
Legend:	
Material	Brushed aluminum
Inscription	ON
Background color / foreground color	Aluminum / black
Dimensions	2" wide x 1 7/16" top to center line
Mounting/wiring:	
Mounting type	Rear
Mounting torque	177 lb in. (14.75 lb ft.)
Mounting diameter	30.5 mm
Wire connection type / torque	Screw-type terminals / 7 lb in. - 9 lb in.
Solid & stranded conductors	2 x (18 - 12 AWG) CU 60/75°C
Wires included	Yes

Certificates/approvals:	ISO 9001 certification
Additional information:	Instruction Sheet





Pilot light
30 mm
Transformer type (except 24VAC which is full voltage)
Red lens
"ON" legend



Image is representative and may not depict the actual product.

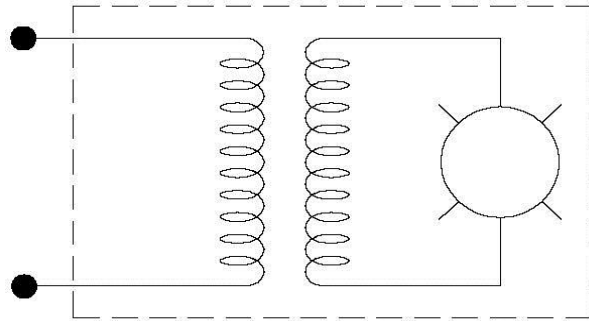
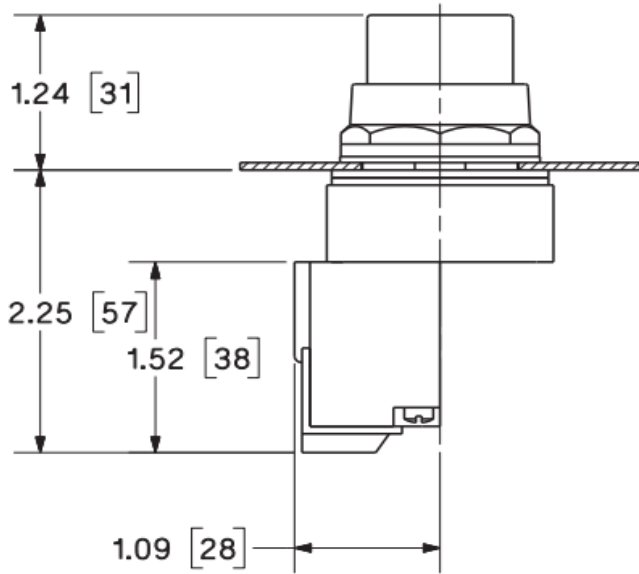
General technical data:	
Weight	0.55 lb
Height x Width x Depth	2.0 x 1.7 x 3.5 in
Finger-safe	Yes
Environmental ratings	NEMA 1, 3, 3R, 4, 12 & 13
Maximum altitude	(no data)
Ambient storage temperature	(-40 to 85)°C / (-40 to 185)°F
Ambient operating temperature	(-35 to 70)°C / (-31 to 158)°F
Humidity (% non-condensing)	(no data)
Country of origin	Mexico
Resistance against vibration per IEC 60068-2-6	5 - 60 Hz: 5.5g
Maximum operating cycles	1,000 per hour
Material of front ring	Metal with chrome plating
Operating voltage (transformer input):	
49SPL0BRJ (full voltage non-transformer type)	Nominal: 24VAC; Range: 21.6 - 26.4VAC
49SPL0BRF	Nominal: 120VAC; Range: 108 - 132VAC
49SPL0BRG	Nominal: 240VAC; Range: 216 - 264VAC
49SPL0BRH	Nominal: 480VAC; Range: 432 - 528VAC
49SPL0BRE	Nominal: 600VAC; Range: 540 - 660VAC
Lamp:	
Number of lamp holders	1
Type (used with 24VAC full voltage pilot light)	24V incandescent type 757 (rated 80 mA)
Type (used with 120, 240, 480 & 600 VAC transformer P.L.)	6V incandescent type 755 (rated 150 mA)
Lens:	
Material	Plastic
Color	Red
Legend:	
Material	Brushed aluminum
Inscription	ON
Background color / foreground color	Aluminum / black
Dimensions	2" wide x 1 7/16" top to center line
Mounting/wiring:	
Mounting type	Rear
Mounting torque	177 lb in. (14.75 lb ft.)
Mounting diameter	30.5 mm
Wire connection type / torque	Screw-type terminals / 7 lb in. - 9 lb in.
Solid & stranded conductors	2 x (18 - 12 AWG) CU 60/75°C
Wires included	Yes

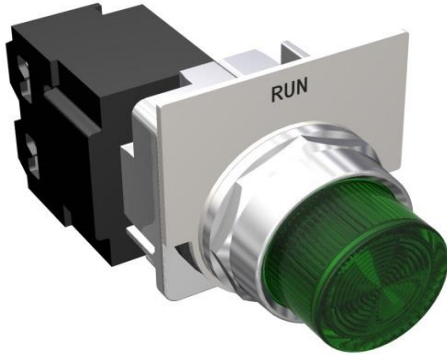
Certificates/approvals:

[ISO 9001 certification](#)

Additional information:

[Instruction Sheet](#)





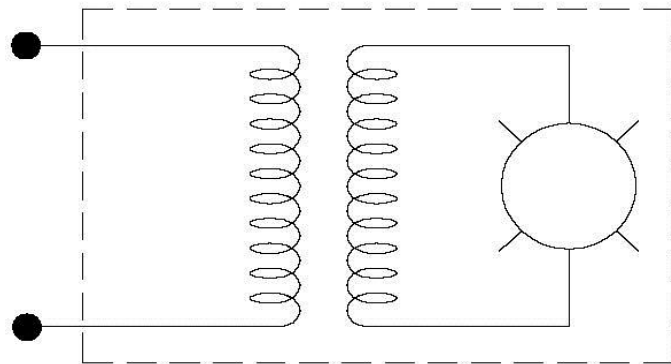
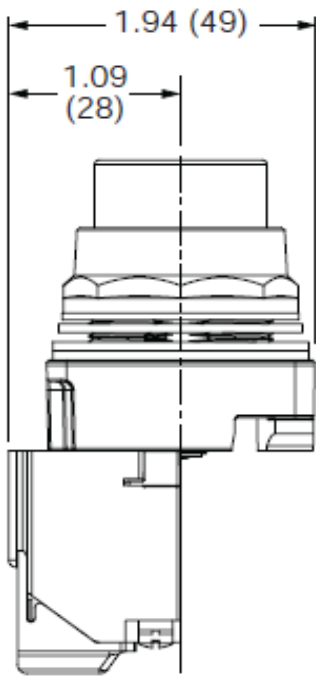
Pilot light
30 mm
Transformer type (except 24VAC which is full voltage)
Green lens
"RUN" legend

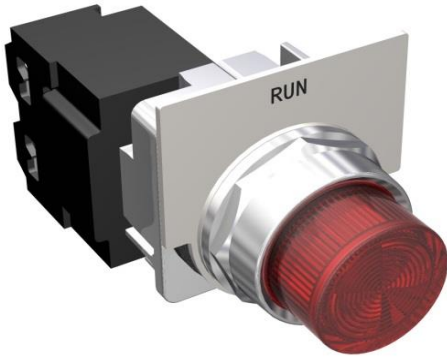


Image is representative and may not depict the actual product.

General technical data:	
Weight	0.55 lb
Height x Width x Depth	2.0 x 1.7 x 3.5 in
Finger-safe	Yes
Environmental ratings	NEMA 1, 3, 3R, 4, 13 & 13
Maximum altitude	(no data)
Ambient storage temperature	(-40 to 85)°C / (-40 to 185)°F
Ambient operating temperature	(-35 to 70)°C / (-31 to 158)°F
Humidity (% non-condensing)	(no data)
Country of origin	Mexico
Resistance against vibration per IEC 60068-2-6	5 - 60 Hz: 5.5g
Maximum operating cycles	1,000 per hour
Material of front ring	Metal with chrome plating
Operating voltage (transformer input):	
49SPL0CGJ (full voltage non-transformer type)	Nominal: 24VAC; Range: 21.6 - 26.4VAC
49SPL0CGF	Nominal: 120VAC; Range: 108 - 132VAC
49SPL0CGG	Nominal: 240VAC; Range: 216 - 264VAC
49SPL0CGH	Nominal: 480VAC; Range: 432 - 528VAC
49SPL0CGE	Nominal: 600VAC; Range: 540 - 660VAC
Lamp:	
Number of lamp holders	1
Type (used with 24VAC full voltage pilot light)	24V incandescent type 757 (rated 80 mA)
Type (used with 120, 240, 480 & 600 VAC transformer P.L.)	6V incandescent type 755 (rated 150 mA)
Lens:	
Material	Plastic
Color	Green
Legend:	
Material	Brushed aluminum
Inscription	RUN
Background color / foreground color	Aluminum / black
Dimensions	2" wide x 1 7/16" top to center line
Mounting/wiring:	
Mounting type	Rear
Mounting torque	177 lb in. (14.75 lb ft.)
Mounting diameter	30.5 mm
Wire connection type / torque	Screw-type terminals / 7 lb in. - 9 lb in.
Solid & stranded conductors	2 x (18 - 12 AWG) CU 60/75°C
Wires included	Yes

Certificates/approvals:	ISO 9001 certification
Additional information:	Instruction Sheet





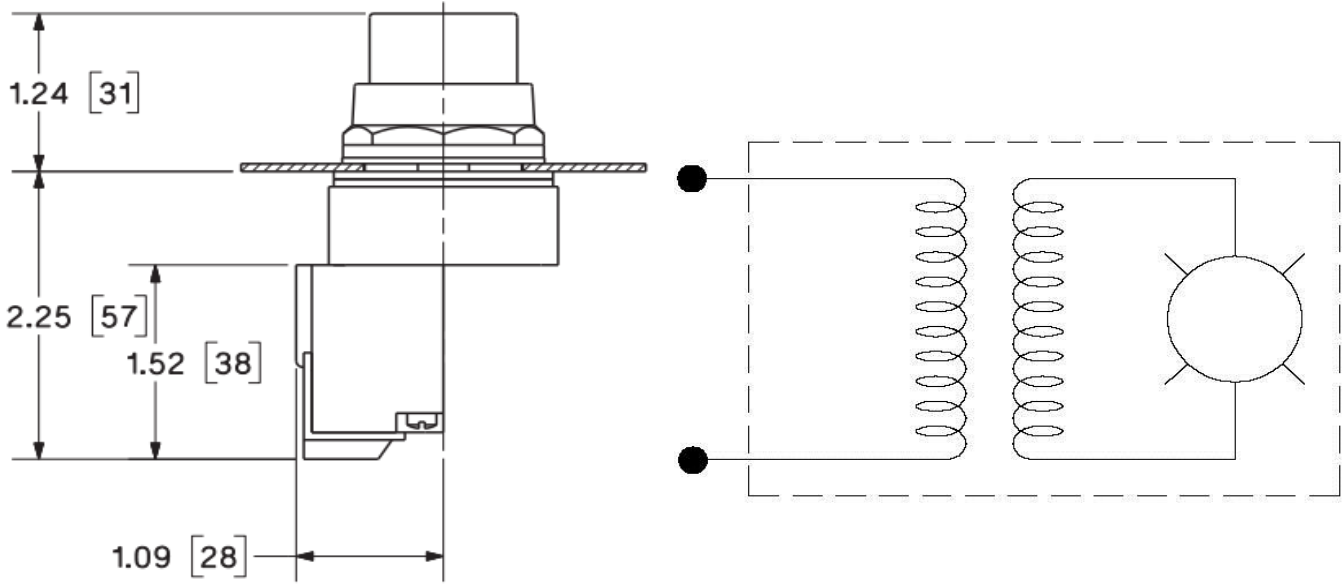
Pilot light
30 mm
Transformer type (except 24VAC which is full voltage)
Red lens
"RUN" legend

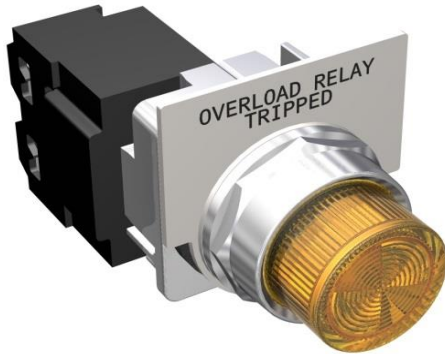


Image is representative and may not depict the actual product.

General technical data:	
Weight	0.55 lb
Height x Width x Depth	2.0 x 1.7 x 3.5 in
Finger-safe	Yes
Environmental ratings	NEMA 1, 3, 3R, 4, 12 & 13
Maximum altitude	(no data)
Ambient storage temperature	(-40 to 85)°C / (-40 to 185)°F
Ambient operating temperature	(-35 to 70)°C / (-31 to 158)°F
Humidity (% non-condensing)	(no data)
Country of origin	Mexico
Resistance against vibration per IEC 60068-2-6	5 - 60 Hz: 5.5g
Maximum operating cycles	1,000 per hour
Material of front ring	Metal with chrome plating
Operating voltage (transformer input):	
49SPL0CRJ (full voltage non-transformer type)	Nominal: 24VAC; Range: 21.6 - 26.4VAC
49SPL0CRF	Nominal: 120VAC; Range: 108 - 132VAC
49SPL0CRG	Nominal: 240VAC; Range: 216 - 264VAC
49SPL0CRH	Nominal: 480VAC; Range: 432 - 528VAC
49SPL0CRE	Nominal: 600VAC; Range: 540 - 660VAC
Lamp:	
Number of lamp holders	1
Type (used with 24VAC full voltage pilot light)	24V incandescent type 757 (rated 80 mA)
Type (used with 120, 240, 480 & 600 VAC transformer P.L.)	6V incandescent type 755 (rated 150 mA)
Lens:	
Material	Plastic
Color	Red
Legend:	
Material	Brushed aluminum
Inscription	RUN
Background color / foreground color	Aluminum / black
Dimensions	2" wide x 1 7/16" top to center line
Mounting/wiring:	
Mounting type	Rear
Mounting torque	177 lb in. (14.75 lb ft.)
Mounting diameter	30.5 mm
Wire connection type / torque	Screw-type terminals / 7 lb in. - 9 lb in.
Solid & stranded conductors	2 x (18 - 12 AWG) CU 60/75°C
Wires included	Yes

Certificates/approvals:	ISO 9001 certification
Additional information:	Instruction Sheet





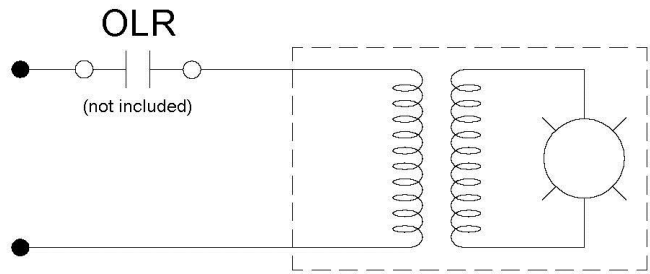
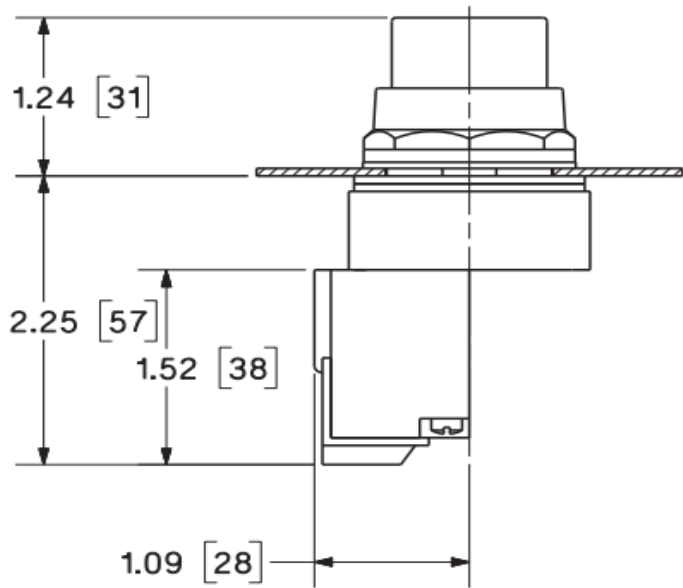
Pilot light
30 mm
Transformer type (except 24VAC which is full voltage)
Amber lens
"OVERLOAD RELAY TRIPPED" legend
(For use with any overload relay type with a normally open (NO) auxiliary contact.)

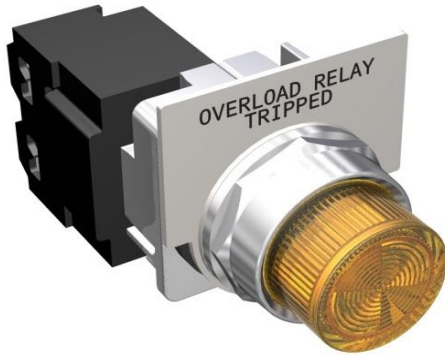


Image is representative and may not depict the actual product.

General technical data:	
Weight	0.55 lb
Height x Width x Depth	2.0 x 1.7 x 3.5 in
Finger-safe	Yes
Environmental ratings	NEMA 1, 3, 3R, 4, 12 & 13
Maximum altitude	(no data)
Ambient storage temperature	(-40 to 85)°C / (-40 to 185)°F
Ambient operating temperature	(-35 to 70)°C / (-31 to 158)°F
Humidity (% non-condensing)	(no data)
Country of origin	Mexico
Resistance against vibration per IEC 60068-2-6	5 - 60 Hz: 5.5g
Maximum operating cycles	1,000 per hour
Material of front ring	Metal with chrome plating
Operating voltage (transformer input):	
49SPL0EAJ (full voltage non-transformer type)	Nominal: 24VAC; Range: 21.6 - 26.4VAC
49SPL0EAF	Nominal: 120VAC; Range: 108 - 132VAC
49SPL0EAG	Nominal: 240VAC; Range: 216 - 264VAC
49SPL0EAH	Nominal: 480VAC; Range: 432 - 528VAC
49SPL0EAE	Nominal: 600VAC; Range: 540 - 660VAC
Lamp:	
Number of lamp holders	1
Type (used with 24VAC full voltage pilot light)	24V incandescent type 757 (rated 80 mA)
Type (used with 120, 240, 480 & 600 VAC transformer P.L.)	6V incandescent type 755 (rated 150 mA)
Lens:	
Material	Plastic
Color	Amber
Legend:	
Material	Brushed aluminum
Inscription	OVERLOAD RELAY TRIPPED
Background color / foreground color	Aluminum / black
Dimensions	2" wide x 1 7/16" top to center line
Mounting/wiring:	
Mounting type	Rear
Mounting torque	177 lb in. (14.75 lb ft.)
Mounting diameter	30.5 mm
Wire connection type / torque	Screw-type terminals / 7 lb in. - 9 lb in.
Solid & stranded conductors	2 x (18 - 12 AWG) CU 60/75°C
Wires included	Yes

Certificates/approvals:	ISO 9001 certification
Additional information:	Instruction Sheet





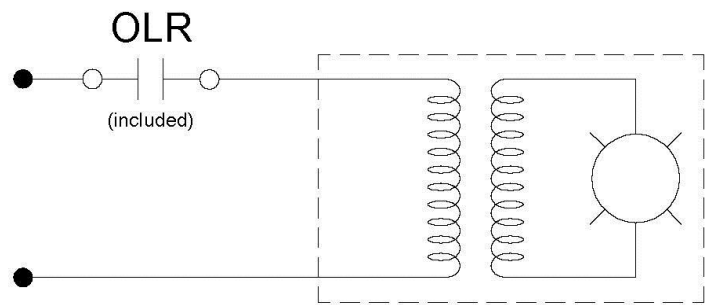
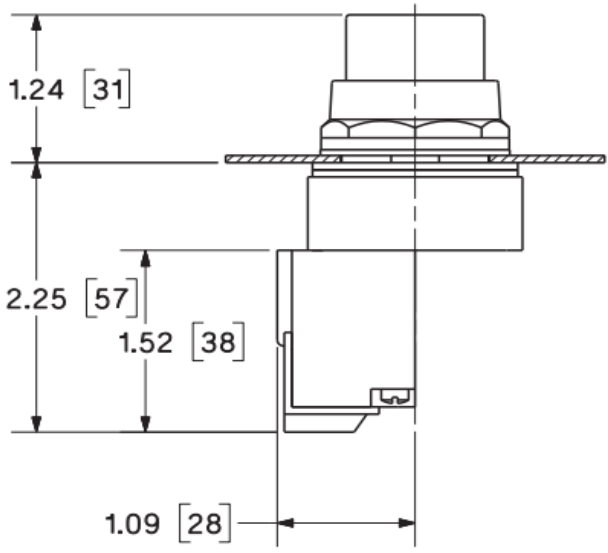
Pilot light
30 mm
Transformer type (except 24VAC which is full voltage)
Amber lens
"OVERLOAD RELAY TRIPPED" legend
(For use with 48DC39AA3 bimetal overload relay included with kit.)

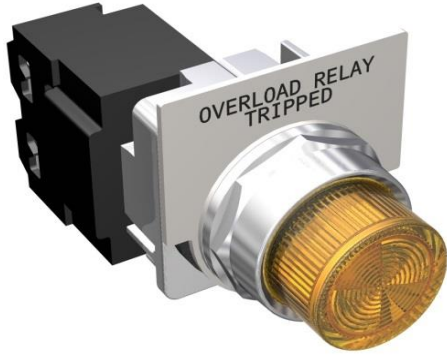


Image is representative and may not depict the actual product.

General technical data:	
Weight	0.55 lb
Height x Width x Depth	2.0 x 1.7 x 3.5 in
Finger-safe	Yes
Environmental ratings	NEMA 1, 3, 3R, 4, 12 & 13
Maximum altitude	(no data)
Ambient storage temperature	(-40 to 85)°C / (-40 to 185)°F
Ambient operating temperature	(-35 to 70)°C / (-31 to 158)°F
Humidity (% non-condensing)	(no data)
Country of origin	Mexico
Resistance against vibration per IEC 60068-2-6	5 - 60 Hz: 5.5g
Maximum operating cycles	1,000 per hour
Material of front ring	Metal with chrome plating
Overload relay auxiliary contacts	1 NO / 1 NC
Operating voltage (transformer input):	
49SPL0FAJD (full voltage non-transformer type)	Nominal: 24VAC; Range: 21.6 - 26.4VAC
49SPL0FAFD	Nominal: 120VAC; Range: 108 - 132VAC
49SPL0FAGD	Nominal: 240VAC; Range: 216 - 264VAC
49SPL0FAHD	Nominal: 480VAC; Range: 432 - 528VAC
49SPL0FAED	Nominal: 600VAC; Range: 540 - 660VAC
Lamp:	
Number of lamp holders	1
Type (used with 24VAC full voltage pilot light)	24V incandescent type 757 (rated 80 mA)
Type (used with 120, 240, 480 & 600 VAC transformer P.L.)	6V incandescent type 755 (rated 150 mA)
Lens:	
Material	Plastic
Color	Amber
Legend:	
Material	Brushed aluminum
Inscription	OVERLOAD RELAY TRIPPED
Background color / foreground color	Aluminum / black
Dimensions	2" wide x 1 7/16" top to center line
Mounting/wiring:	
Mounting type	Rear
Mounting torque	177 lb in. (14.75 lb ft.)
Mounting diameter	30.5 mm
Wire connection type / torque	Screw-type terminals / 7 lb in. - 9 lb in.
Solid & stranded conductors	2 x (18 - 12 AWG) CU 60/75°C
Wires included	Yes

Certificates/approvals:	ISO 9001 certification
Additional information:	Instruction Sheet





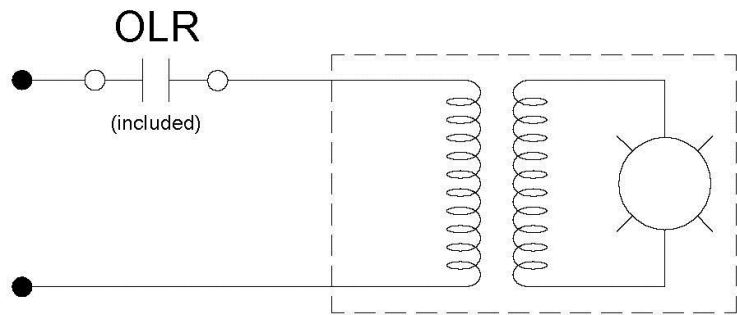
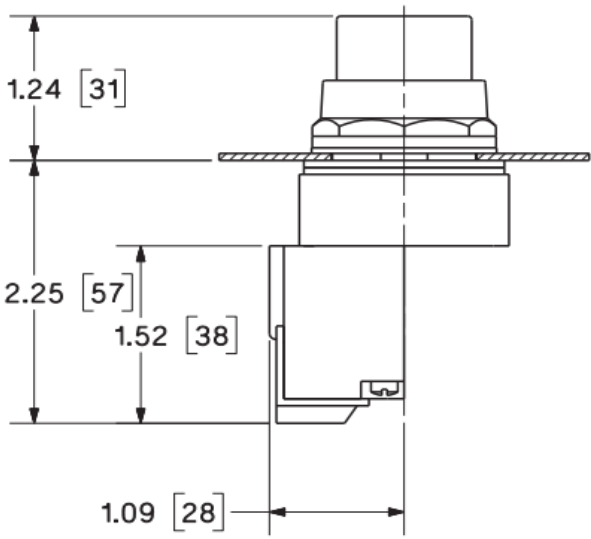
Pilot light
30 mm
Transformer type (except 24VAC which is full voltage)
Amber lens
"OVERLOAD RELAY TRIPPED" legend
(For use with 48EC39AA3 bimetal overload relay included with kit.)

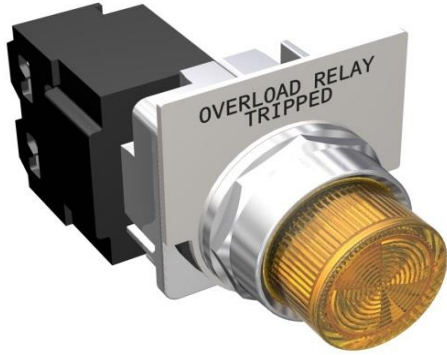


Image is representative and may not depict the actual product.

General technical data:	
Weight	0.55 lb
Height x Width x Depth	2.0 x 1.7 x 3.5 in
Finger-safe	Yes
Environmental ratings	NEMA 1, 3, 3R, 4, 12 & 13
Maximum altitude	(no data)
Ambient storage temperature	(-40 to 85)°C / (-40 to 185)°F
Ambient operating temperature	(-35 to 70)°C / (-31 to 158)°F
Humidity (% non-condensing)	(no data)
Country of origin	Mexico
Resistance against vibration per IEC 60068-2-6	5 - 60 Hz: 5.5g
Maximum operating cycles	1,000 per hour
Material of front ring	Metal with chrome plating
Overload relay auxiliary contacts	1 NO / 1 NC
Operating voltage (transformer input):	
49SPL0FAJE (full voltage non-transformer type)	Nominal: 24VAC; Range: 21.6 - 26.4VAC
49SPL0FAFE	Nominal: 120VAC; Range: 108 - 132VAC
49SPL0FAGE	Nominal: 240VAC; Range: 216 - 264VAC
49SPL0FAHE	Nominal: 480VAC; Range: 432 - 528VAC
49SPL0FAEE	Nominal: 600VAC; Range: 540 - 660VAC
Lamp:	
Number of lamp holders	1
Type (used with 24VAC full voltage pilot light)	24V incandescent type 757 (rated 80 mA)
Type (used with 120, 240, 480 & 600 VAC transformer P.L.)	6V incandescent type 755 (rated 150 mA)
Lens:	
Material	Plastic
Color	Amber
Legend:	
Material	Brushed aluminum
Inscription	OVERLOAD RELAY TRIPPED
Background color / foreground color	Aluminum / black
Dimensions	2" wide x 1 7/16" top to center line
Mounting/wiring:	
Mounting type	Rear
Mounting torque	177 lb in. (14.75 lb ft.)
Mounting diameter	30.5 mm
Wire connection type / torque	Screw-type terminals / 7 lb in. - 9 lb in.
Solid & stranded conductors	2 x (18 - 12 AWG) CU 60/75°C
Wires included	Yes

Certificates/approvals:	ISO 9001 certification
Additional information:	Instruction Sheet





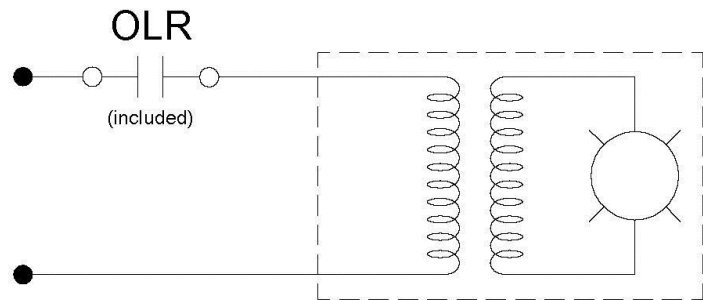
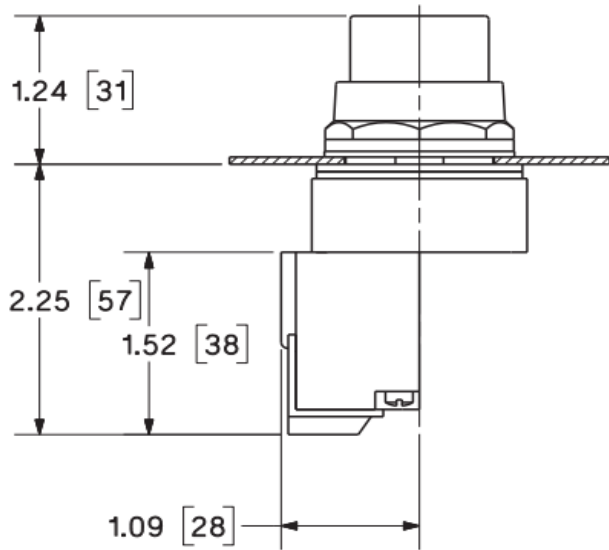
Pilot light
30 mm
Transformer type (except 24VAC which is full voltage)
Amber lens
"OVERLOAD RELAY TRIPPED" legend
(For use with 48GC39AA3 bimetal overload relay included with kit.)

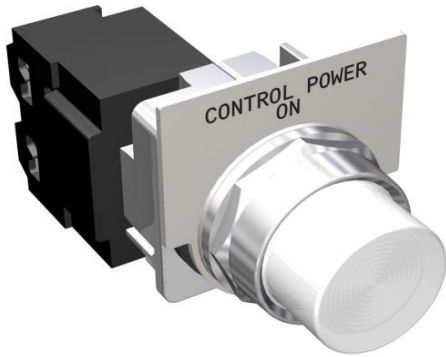


Image is representative and may not depict the actual product.

General technical data:	
Weight	0.55 lb
Height x Width x Depth	2.0 x 1.7 x 3.5 in
Finger-safe	Yes
Environmental ratings	NEMA 1, 3, 3R, 4, 12 & 13
Maximum altitude	(no data)
Ambient storage temperature	(-40 to 85)°C / (-40 to 185)°F
Ambient operating temperature	(-35 to 70)°C / (-31 to 158)°F
Humidity (% non-condensing)	(no data)
Country of origin	Mexico
Resistance against vibration per IEC 60068-2-6	5 - 60 Hz: 5.5g
Maximum operating cycles	1,000 per hour
Material of front ring	Metal with chrome plating
Overload relay auxiliary contacts	1 NO / 1 NC
Operating voltage (transformer input):	
49SPL0FAJG (full voltage non-transformer type)	Nominal: 24VAC; Range: 21.6 - 26.4VAC
49SPL0FAFG	Nominal: 120VAC; Range: 108 - 132VAC
49SPL0FAGG	Nominal: 240VAC; Range: 216 - 264VAC
49SPL0FAHG	Nominal: 480VAC; Range: 432 - 528VAC
49SPL0FAEG	Nominal: 600VAC; Range: 540 - 660VAC
Lamp:	
Number of lamp holders	1
Type (used with 24VAC full voltage pilot light)	24V incandescent type 757 (rated 80 mA)
Type (used with 120, 240, 480 & 600 VAC transformer P.L.)	6V incandescent type 755 (rated 150 mA)
Lens:	
Material	Plastic
Color	Amber
Legend:	
Material	Brushed aluminum
Inscription	OVERLOAD RELAY TRIPPED
Background color / foreground color	Aluminum / black
Dimensions	2" wide x 1 7/16" top to center line
Mounting/wiring:	
Mounting type	Rear
Mounting torque	177 lb in. (14.75 lb ft.)
Mounting diameter	30.5 mm
Wire connection type / torque	Screw-type terminals / 7 lb in. - 9 lb in.
Solid & stranded conductors	2 x (18 - 12 AWG) CU 60/75°C
Wires included	Yes

Certificates/approvals:	ISO 9001 certification
Additional information:	Instruction Sheet





Pilot light
30 mm
Transformer type (except 24VAC which is full voltage)
White lens
"CONTROL POWER ON" legend



Image is representative and may not depict the actual product.

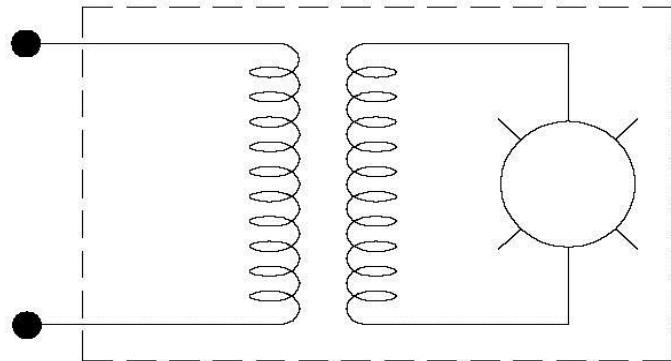
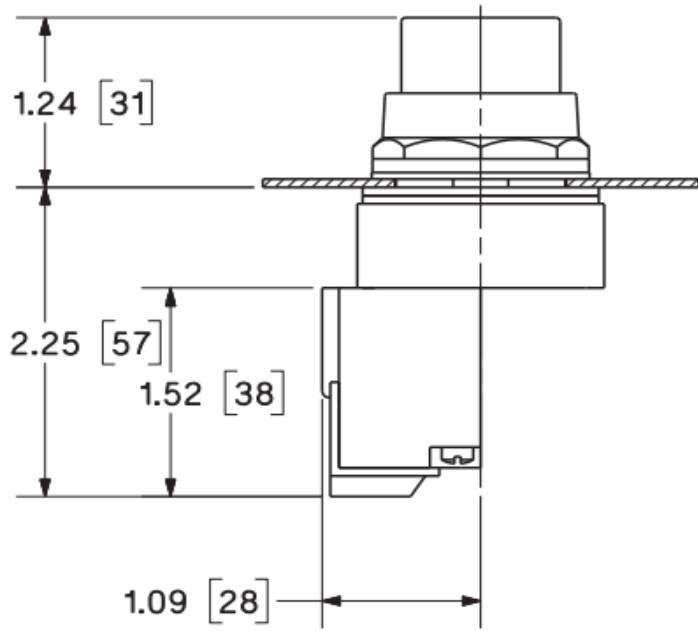
General technical data:	
Weight	0.55 lb
Height x Width x Depth	2.0 x 1.7 x 3.5 in
Finger-safe	Yes
Environmental ratings	NEMA 1, 3, 3R, 4, 12 & 13
Maximum altitude	(no data)
Ambient storage temperature	(-40 to 85)°C / (-40 to 185)°F
Ambient operating temperature	(-35 to 70)°C / (-31 to 158)°F
Humidity (% non-condensing)	(no data)
Country of origin	Mexico
Resistance against vibration per IEC 60068-2-6	5 - 60 Hz: 5.5g
Maximum operating cycles	1,000 per hour
Material of front ring	Metal with chrome plating
Operating voltage (transformer input):	
49SPL0HWJ (full voltage non-transformer type)	Nominal: 24VAC; Range: 21.6 - 26.4VAC
49SPL0HWF	Nominal: 120VAC; Range: 108 - 132VAC
49SPL0HWG	Nominal: 240VAC; Range: 216 - 264VAC
49SPL0HWH	Nominal: 480VAC; Range: 432 - 528VAC
49SPL0HWE	Nominal: 600VAC; Range: 540 - 660VAC
Lamp:	
Number of lamp holders	1
Type (used with 24VAC full voltage pilot light)	24V incandescent type 757 (rated 80 mA)
Type (used with 120, 240, 480 & 600 VAC transformer P.L.)	6V incandescent type 755 (rated 150 mA)
Lens:	
Material	Plastic
Color	White
Legend:	
Material	Brushed aluminum
Inscription	CONTROL POWER ON
Background color / foreground color	Aluminum / black
Dimensions	2" wide x 1 7/16" top to center line
Mounting/wiring:	
Mounting type	Rear
Mounting torque	177 lb in. (14.75 lb ft.)
Mounting diameter	30.5 mm
Wire connection type / torque	Screw-type terminals / 7 lb in. - 9 lb in.
Solid & stranded conductors	2 x (18 - 12 AWG) CU 60/75°C
Wires included	Yes

Certificates/approvals:

[ISO 9001 certification](#)

Additional information:

[Instruction Sheet](#)





Pilot light
30 mm
Transformer type (except 24VAC which is full voltage)
Green lens
"FORWARD/REVERSE" legend
2 Pilot Lights (1 Forward & 1 Reverse)

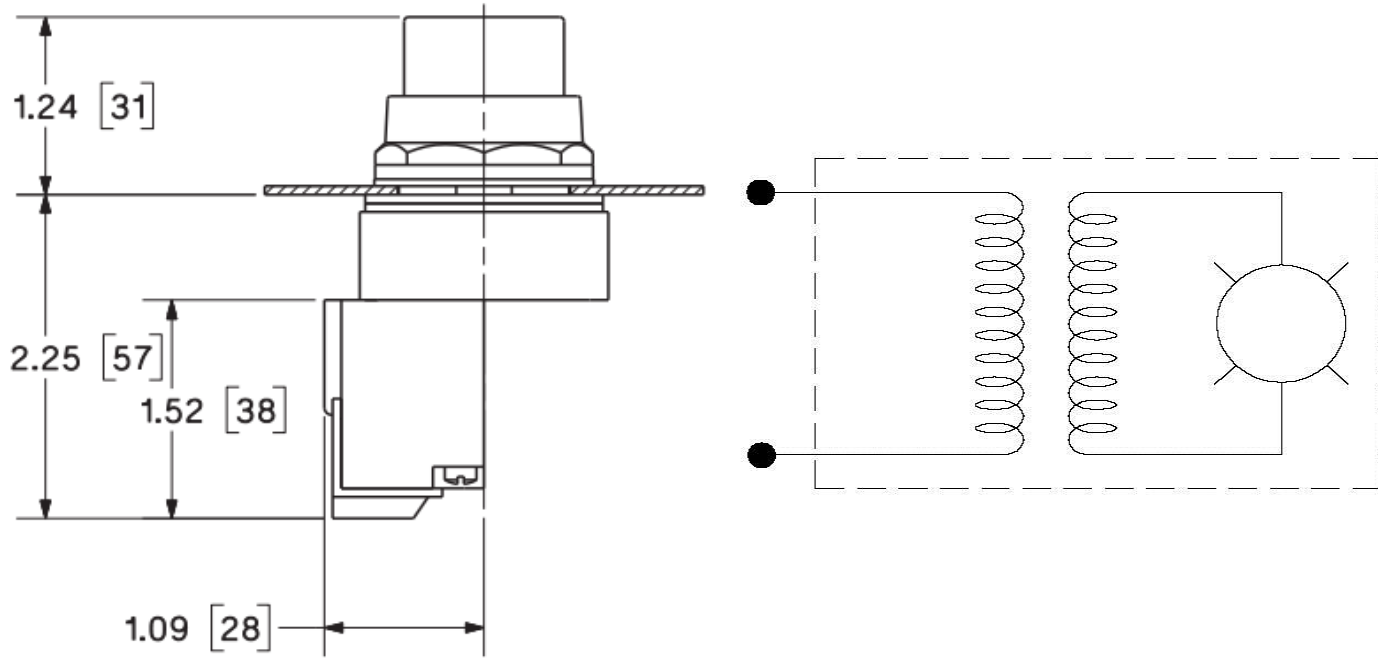


Image is representative and may not depict the actual product.

General technical data:	
Weight	0.55 lb (per light)
Height x Width x Depth	2.0 x 1.7 x 3.5 in (per light)
Finger-safe	Yes
Environmental ratings	NEMA 1, 3, 3R, 4, 12 & 13
Maximum altitude	(no data)
Ambient storage temperature	(-40 to 85)°C / (-40 to 185)°F
Ambient operating temperature	(-35 to 70)°C / (-31 to 158)°F
Humidity (% non-condensing)	(no data)
Country of origin	Mexico
Resistance against vibration per IEC 60068-2-6	5 - 60 Hz: 5.5g
Maximum operating cycles	1,000 per hour
Material of front ring	Metal with chrome plating
Operating voltage (transformer input):	
49SPL0JGJ (full voltage non-transformer type)	Nominal: 24VAC; Range: 21.6 - 26.4VAC
49SPL0JGF	Nominal: 120VAC; Range: 108 - 132VAC
49SPL0JGG	Nominal: 240VAC; Range: 216 - 264VAC
49SPL0JGH	Nominal: 480VAC; Range: 432 - 528VAC
49SPL0JGE	Nominal: 600VAC; Range: 540 - 660VAC
Lamp:	
Number of lamp holders	1 (per light)
Type (used with 24VAC full voltage pilot light)	24V incandescent type 757 (rated 80 mA)
Type (used with 120, 240, 480 & 600 VAC transformer P.L.)	6V incandescent type 755 (rated 150 mA)
Lens:	
Material	Plastic
Color	Green
Legend:	
Material	Brushed aluminum
Inscription	FORWARD/REVERSE
Background color / foreground color	Aluminum / black
Dimensions	2" wide x 1 7/16" top to center line
Mounting/wiring:	
Mounting type	Rear
Mounting torque	177 lb in. (14.75 lb ft.)
Mounting diameter	30.5 mm
Wire connection type / torque	Screw-type terminals / 7 lb in. - 9 lb in.
Solid & stranded conductors	2 x (18 - 12 AWG) CU 60/75°C
Wires included	Yes

Certificates/approvals:	ISO 9001 certification
Additional information:	Instruction Sheet

Diagrams are identical for each light.





Pilot light
30 mm
Transformer type (except 24VAC which is full voltage)
Red lens
"FORWARD/REVERSE" legend
2 Pilot Lights (1 Forward & 1 Reverse)

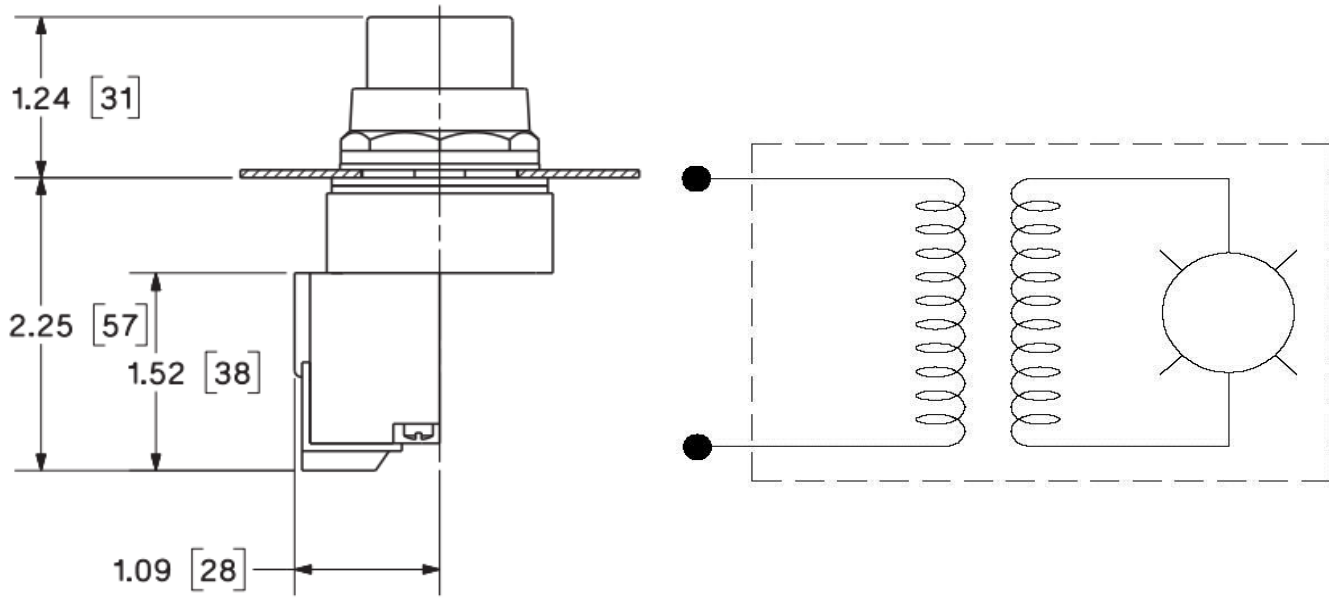


Image is representative and may not depict the actual product.

General technical data:	
Weight	0.55 lb (per light)
Height x Width x Depth	2.0 x 1.7 x 3.5 in (per light)
Finger-safe	Yes
Environmental ratings	NEMA 1, 3, 3R, 4, 12 & 13
Maximum altitude	(no data)
Ambient storage temperature	(-40 to 85)°C / (-40 to 185)°F
Ambient operating temperature	(-35 to 70)°C / (-31 to 158)°F
Humidity (% non-condensing)	(no data)
Country of origin	Mexico
Resistance against vibration per IEC 60068-2-6	5 - 60 Hz: 5.5g
Maximum operating cycles	1,000 per hour
Material of front ring	Metal with chrome plating
Operating voltage (transformer input):	
49SPL0JRJ (full voltage non-transformer type)	Nominal: 24VAC; Range: 21.6 - 26.4VAC
49SPL0JRF	Nominal: 120VAC; Range: 108 - 132VAC
49SPL0JRG	Nominal: 240VAC; Range: 216 - 264VAC
49SPL0JRH	Nominal: 480VAC; Range: 432 - 528VAC
49SPL0JRE	Nominal: 600VAC; Range: 540 - 660VAC
Lamp:	
Number of lamp holders	1 (per light)
Type (used with 24VAC full voltage pilot light)	24V incandescent type 757 (rated 80 mA)
Type (used with 120, 240, 480 & 600 VAC transformer P.L.)	6V incandescent type 755 (rated 150 mA)
Lens:	
Material	Plastic
Color	Red
Legend:	
Material	Brushed aluminum
Inscription	FORWARD/REVERSE
Background color / foreground color	Aluminum / black
Dimensions	2" wide x 1 7/16" top to center line
Mounting/wiring:	
Mounting type	Rear
Mounting torque	177 lb in. (14.75 lb ft.)
Mounting diameter	30.5 mm
Wire connection type / torque	Screw-type terminals / 7 lb in. - 9 lb in.
Solid & stranded conductors	2 x (18 - 12 AWG) CU 60/75°C
Wires included	Yes

Certificates/approvals:	ISO 9001 certification
Additional information:	Instruction Sheet

Diagrams are identical for each light.





Pilot light
30 mm
Transformer type (except 24VAC which is full voltage)
Green lens
"LOW/HIGH" legend
2 Pilot Lights (1 High & 1 Low)

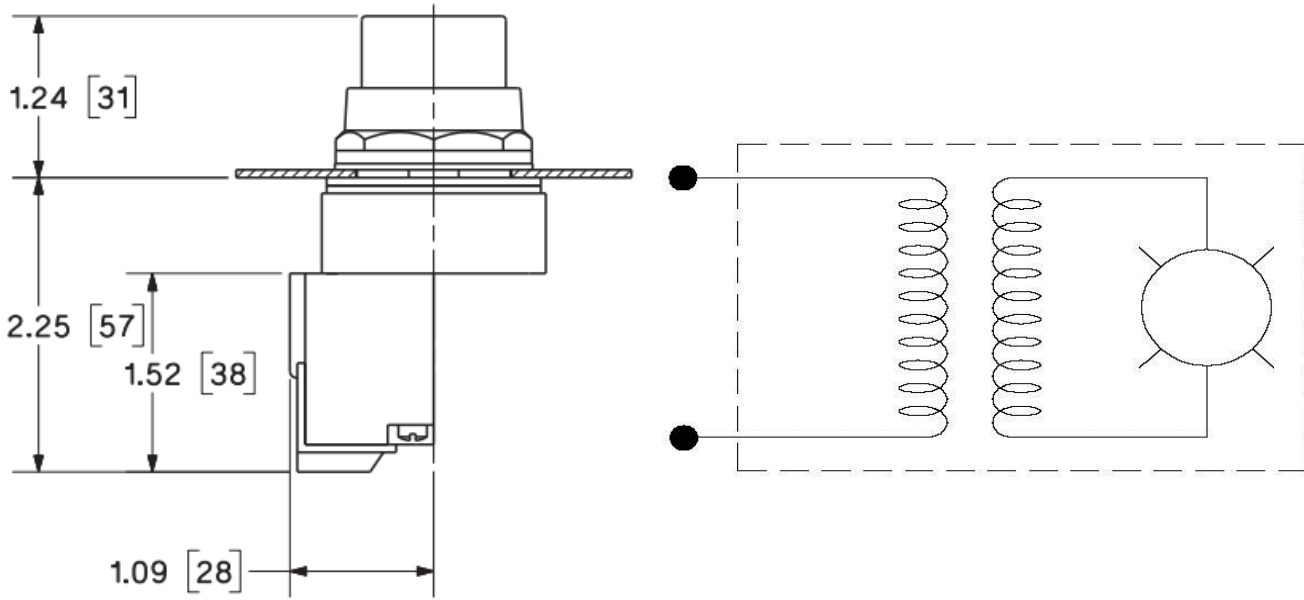


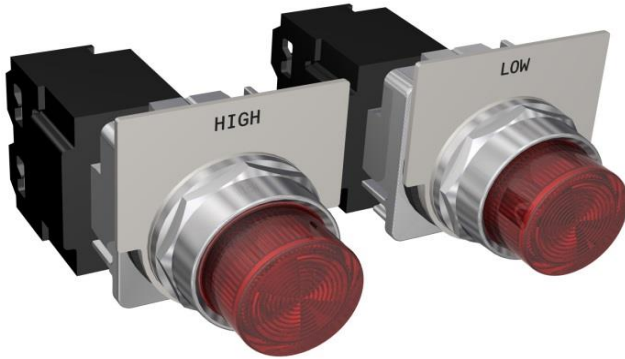
Image is representative and may not depict the actual product.

General technical data:	
Weight	0.55 lb (per light)
Height x Width x Depth	2.0 x 1.7 x 3.5 in (per light)
Finger-safe	Yes
Environmental ratings	NEMA 1, 3, 3R, 4, 12 & 13
Maximum altitude	(no data)
Ambient storage temperature	(-40 to 85)°C / (-40 to 185)°F
Ambient operating temperature	(-35 to 70)°C / (-31 to 158)°F
Humidity (% non-condensing)	(no data)
Country of origin	Mexico
Resistance against vibration per IEC 60068-2-6	5 - 60 Hz: 5.5g
Maximum operating cycles	1,000 per hour
Material of front ring	Metal with chrome plating
Operating voltage (transformer input):	
49SPL0KGJ (full voltage non-transformer type)	Nominal: 24VAC; Range: 21.6 - 26.4VAC
49SPL0KGF	Nominal: 120VAC; Range: 108 - 132VAC
49SPL0KGG	Nominal: 240VAC; Range: 216 - 264VAC
49SPL0KGH	Nominal: 480VAC; Range: 432 - 528VAC
49SPL0KGE	Nominal: 600VAC; Range: 540 - 660VAC
Lamp:	
Number of lamp holders	1 (per light)
Type (used with 24VAC full voltage pilot light)	24V incandescent type 757 (rated 80 mA)
Type (used with 120, 240, 480 & 600 VAC transformer P.L.)	6V incandescent type 755 (rated 150 mA)
Lens:	
Material	Plastic
Color	Green
Legend:	
Material	Brushed aluminum
Inscription	LOW/HIGH
Background color / foreground color	Aluminum / black
Dimensions	2" wide x 1 7/16" top to center line
Mounting/wiring:	
Mounting type	Rear
Mounting torque	177 lb in. (14.75 lb ft.)
Mounting diameter	30.5 mm
Wire connection type / torque	Screw-type terminals / 7 lb in. - 9 lb in.
Solid & stranded conductors	2 x (18 - 12 AWG) CU 60/75°C
Wires included	Yes

Certificates/approvals:	ISO 9001 certification
Additional information:	Instruction Sheet

Diagrams are identical for each light.





Pilot light
30 mm
Transformer type (except 24VAC which is full voltage)
Red lens
"LOW/HIGH" legend
2 Pilot Lights (1 High & 1 Low)

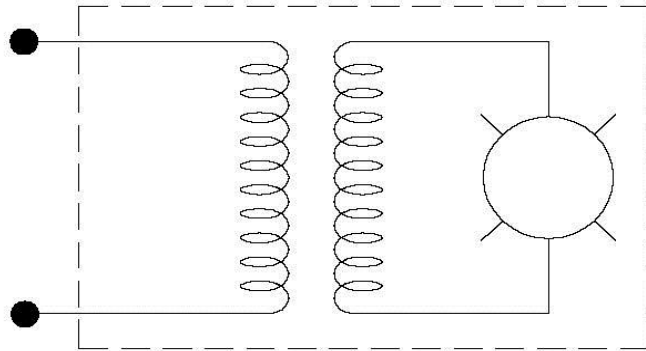
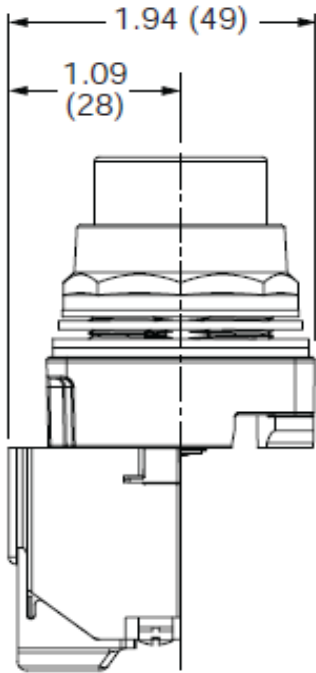


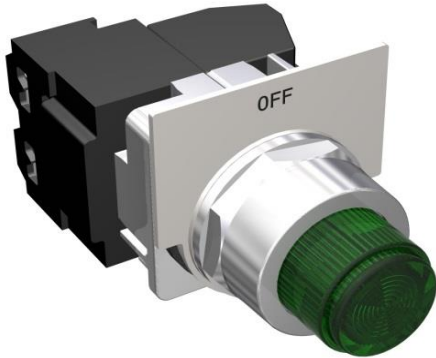
Image is representative and may not depict the actual product.

General technical data:	
Weight	0.55 lb (per light)
Height x Width x Depth	2.0 x 1.7 x 3.5 in (per light)
Finger-safe	Yes
Environmental ratings	NEMA 1, 3, 3R, 4, 13 & 13
Maximum altitude	(no data)
Ambient storage temperature	(-40 to 85)°C / (-40 to 185)°F
Ambient operating temperature	(-35 to 70)°C / (-31 to 158)°F
Humidity (% non-condensing)	(no data)
Country of origin	Mexico
Resistance against vibration per IEC 60068-2-6	5 - 60 Hz: 5.5g
Maximum operating cycles	1,000 per hour
Material of front ring	Metal with chrome plating
Operating voltage (transformer input):	
49SPL0KRJ (full voltage non-transformer type)	Nominal: 24VAC; Range: 21.6 - 26.4VAC
49SPL0KRF	Nominal: 120VAC; Range: 108 - 132VAC
49SPL0KRG	Nominal: 240VAC; Range: 216 - 264VAC
49SPL0KRH	Nominal: 480VAC; Range: 432 - 528VAC
49SPL0KRE	Nominal: 600VAC; Range: 540 - 660VAC
Lamp:	
Number of lamp holders	1 (per light)
Type (used with 24VAC full voltage pilot light)	24V incandescent type 757 (rated 80 mA)
Type (used with 120, 240, 480 & 600 VAC transformer P.L.)	6V incandescent type 755 (rated 150 mA)
Lens:	
Material	Plastic
Color	Red
Legend:	
Material	Brushed aluminum
Inscription	LOW/HIGH
Background color / foreground color	Aluminum / black
Dimensions	2" wide x 1 7/16" top to center line
Mounting/wiring:	
Mounting type	Rear
Mounting torque	177 lb in. (14.75 lb ft.)
Mounting diameter	30.5 mm
Wire connection type / torque	Screw-type terminals / 7 lb in. - 9 lb in.
Solid & stranded conductors	2 x (18 - 12 AWG) CU 60/75°C
Wires included	Yes

Certificates/approvals:	ISO 9001 certification
Additional information:	Instruction Sheet

Diagrams are identical for each light.





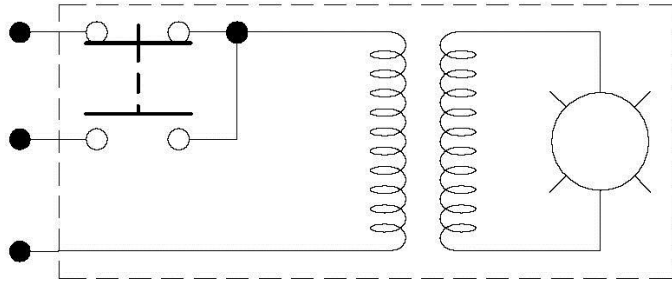
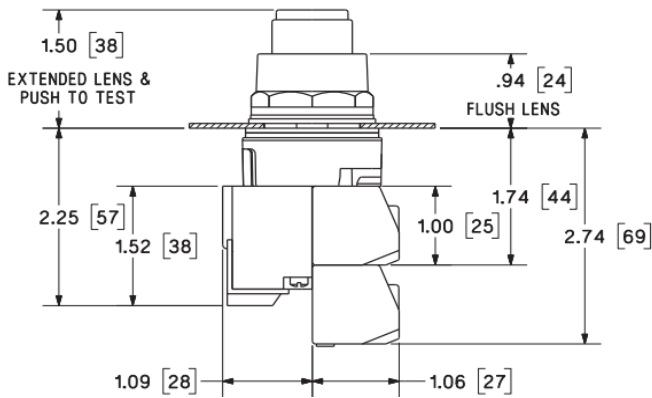
Push-To-Test Pilot Light
30 mm
Transformer type (except 24VAC which is full voltage)
Green lens
"OFF" legend

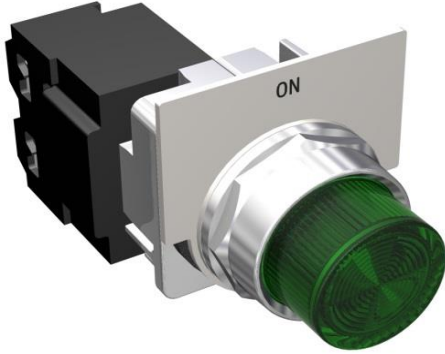


Image is representative and may not depict the actual product.

General technical data:	
Weight	0.58 lb
Height x Width x Depth	2.1 x 2.0 x 4.0 in
Finger-safe	Yes
Environmental ratings	NEMA 1, 3, 3R, 4, 12 & 13
Maximum altitude	(no data)
Ambient storage temperature	(-40 to 85)°C / (-40 to 185)°F
Ambient operating temperature	(-35 to 70)°C / (-31 to 158)°F
Humidity (% non-condensing)	(no data)
Country of origin	Mexico
Resistance against vibration per IEC 60068-2-6	5 - 60 Hz: 5.5g
Maximum operating cycles	1,000 per hour
Material of front ring	Metal with chrome plating
Operating voltage (transformer input):	
49SPLPAGJ (full voltage non-transformer type)	Nominal: 24VAC; Range: 21.6 - 26.4VAC
49SPLPAGF	Nominal: 120VAC; Range: 108 - 132VAC
49SPLPAGG	Nominal: 240VAC; Range: 216 - 264VAC
49SPLPAGH	Nominal: 480VAC; Range: 432 - 528VAC
49SPLPAGE	Nominal: 600VAC; Range: 540 - 660VAC
Lamp:	
Number of lamp holders	1
Type (used with 24VAC full voltage pilot light)	24V incandescent type 757 (rated 80 mA)
Type (used with 120, 240, 480 & 600 VAC transformer P.L.)	6V incandescent type 755 (rated 150 mA)
Lens:	
Material	Plastic
Color	Green
Legend:	
Material	Brushed aluminum
Inscription	OFF
Background color / foreground color	Aluminum / black
Dimensions	2" wide x 1 7/16" top to center line
Contact Block:	
Number of NC contacts	1
Number of NO contacts	1
Operating Current at A600:	
Thermal continuous test circuit	10A
120VAC	30A Make / 3A Break
480VAC	15A Make / 1.5A Break
600VAC	6A Make / 0.6A Break
Operating Current at P600:	
Thermal continuous test circuit	5A

125VDC	1.1A
250VDC	0.55A
301 to 600VDC	0.2A
Mounting/wiring:	
Mounting type	Rear
Mounting torque	177 lb in. (14.75 lb ft.)
Mounting diameter	30.5 mm
Wire connection type / torque	Screw-type terminals / 7 lb in. - 9 lb in.
Solid & stranded conductors	2 x (18 - 12 AWG) CU 60/75°C
Wires included	Yes
Certificates/approvals:	
	ISO 9001 certification
Additional information:	
	Instruction Sheet





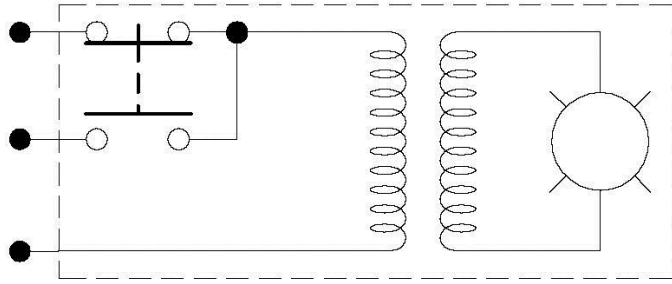
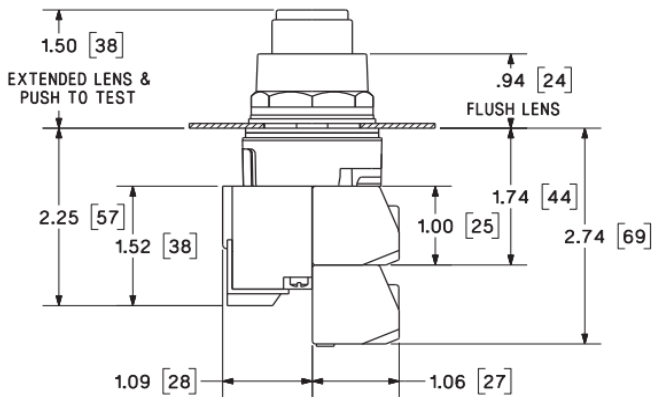
Push-To-Test Pilot Light
30 mm
Transformer type (except 24VAC which is full voltage)
Green lens
"ON" legend

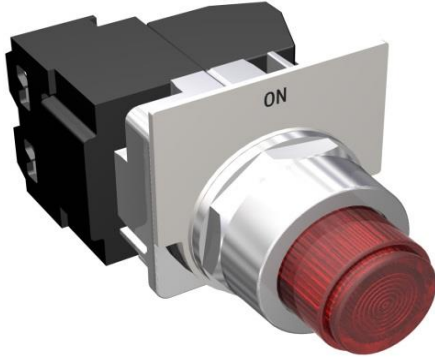


Image is representative and may not depict the actual product.

General technical data:	
Weight	0.58 lb
Height x Width x Depth	2.1 x 2.0 x 4.0 in
Finger-safe	Yes
Environmental ratings	NEMA 1, 3, 3R, 4, 12 & 13
Maximum altitude	(no data)
Ambient storage temperature	(-40 to 85)°C / (-40 to 185)°F
Ambient operating temperature	(-35 to 70)°C / (-31 to 158)°F
Humidity (% non-condensing)	(no data)
Country of origin	Mexico
Resistance against vibration per IEC 60068-2-6	5 - 60 Hz: 5.5g
Maximum operating cycles	1,000 per hour
Material of front ring	Metal with chrome plating
Operating voltage (transformer input):	
49SPLPBGJ (full voltage non-transformer type)	Nominal: 24VAC; Range: 21.6 - 26.4VAC
49SPLPBGF	Nominal: 120VAC; Range: 108 - 132VAC
49SPLPBGG	Nominal: 240VAC; Range: 216 - 264VAC
49SPLPBGH	Nominal: 480VAC; Range: 432 - 528VAC
49SPLPBGE	Nominal: 600VAC; Range: 540 - 660VAC
Lamp:	
Number of lamp holders	1
Type (used with 24VAC full voltage pilot light)	24V incandescent type 757 (rated 80 mA)
Type (used with 120, 240, 480 & 600 VAC transformer P.L.)	6V incandescent type 755 (rated 150 mA)
Lens:	
Material	Plastic
Color	Green
Legend:	
Material	Brushed aluminum
Inscription	ON
Background color / foreground color	Aluminum / black
Dimensions	2" wide x 1 7/16" top to center line
Contact Block:	
Number of NC contacts	1
Number of NO contacts	1
Operating Current at A600:	
Thermal continuous test circuit	10A
120VAC	30A Make / 3A Break
480VAC	15A Make / 1.5A Break
600VAC	6A Make / 0.6A Break
Operating Current at P600:	
Thermal continuous test circuit	5A

125VDC	1.1A
250VDC	0.55A
301 to 600VDC	0.2A
Mounting/wiring:	
Mounting type	Rear
Mounting torque	177 lb in. (14.75 lb ft.)
Mounting diameter	30.5 mm
Wire connection type / torque	Screw-type terminals / 7 lb in. - 9 lb in.
Solid & stranded conductors	2 x (18 - 12 AWG) CU 60/75°C
Wires included	Yes
Certificates/approvals:	
	ISO 9001 certification
Additional information:	
	Instruction Sheet





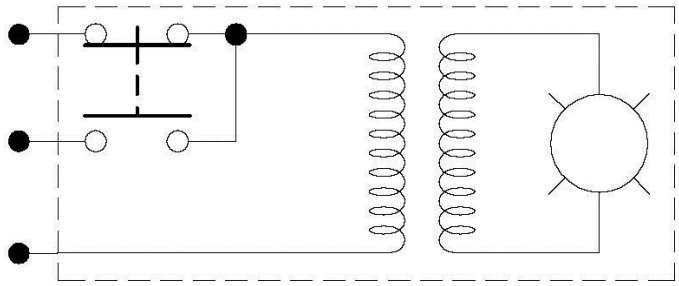
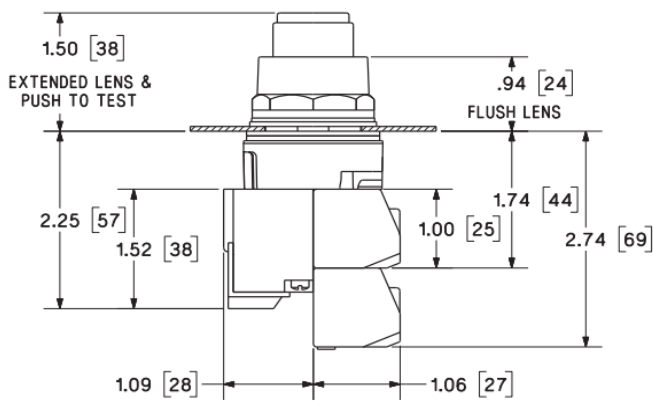
Push-To-Test Pilot Light
30 mm
Transformer type (except 24VAC which is full voltage)
Red lens
"ON" legend

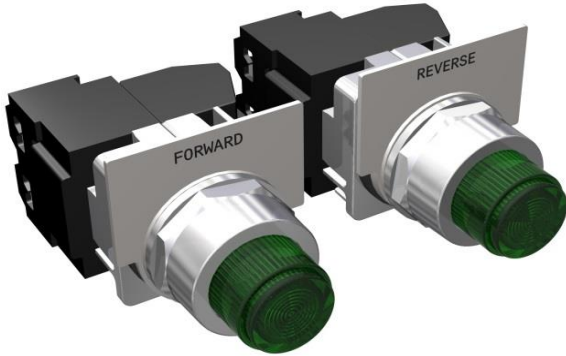


Image is representative and may not depict the actual product.

General technical data:	
Weight	0.58 lb
Height x Width x Depth	2.1 x 2.0 x 4.0 in
Finger-safe	Yes
Environmental ratings	NEMA 1, 3, 3R, 4, 12 & 13
Maximum altitude	(no data)
Ambient storage temperature	(-40 to 85)°C / (-40 to 185)°F
Ambient operating temperature	(-35 to 70)°C / (-31 to 158)°F
Humidity (% non-condensing)	(no data)
Country of origin	Mexico
Resistance against vibration per IEC 60068-2-6	5 - 60 Hz: 5.5g
Maximum operating cycles	1,000 per hour
Material of front ring	Metal with chrome plating
Operating voltage (transformer input):	
49SPLPBRJ (full voltage non-transformer type)	Nominal: 24VAC; Range: 21.6 - 26.4VAC
49SPLPBRF	Nominal: 120VAC; Range: 108 - 132VAC
49SPLPBRG	Nominal: 240VAC; Range: 216 - 264VAC
49SPLPBRH	Nominal: 480VAC; Range: 432 - 528VAC
49SPLPBRE	Nominal: 600VAC; Range: 540 - 660VAC
Lamp:	
Number of lamp holders	1
Type (used with 24VAC full voltage pilot light)	24V incandescent type 757 (rated 80 mA)
Type (used with 120, 240, 480 & 600 VAC transformer P.L.)	6V incandescent type 755 (rated 150 mA)
Lens:	
Material	Plastic
Color	Red
Legend:	
Material	Brushed aluminum
Inscription	ON
Background color / foreground color	Aluminum / black
Dimensions	2" wide x 1 7/16" top to center line
Contact Block:	
Number of NC contacts	1
Number of NO contacts	1
Operating Current at A600:	
Thermal continuous test circuit	10A
120VAC	30A Make / 3A Break
480VAC	15A Make / 1.5A Break
600VAC	6A Make / 0.6A Break
Operating Current at P600:	
Thermal continuous test circuit	5A

125VDC	1.1A
250VDC	0.55A
301 to 600VDC	0.2A
Mounting/wiring:	
Mounting type	Rear
Mounting torque	177 lb in. (14.75 lb ft.)
Mounting diameter	30.5 mm
Wire connection type / torque	Screw-type terminals / 7 lb in. - 9 lb in.
Solid & stranded conductors	2 x (18 - 12 AWG) CU 60/75°C
Wires included	Yes
Certificates/approvals:	
	ISO 9001 certification
Additional information:	
	Instruction Sheet





Push-To-Test Pilot Light
30 mm
Transformer type (except 24VAC which is full voltage)
Green lens
"FORWARD/REVERSE" legend
2 Pilot Lights (1 Forward & 1 Reverse)

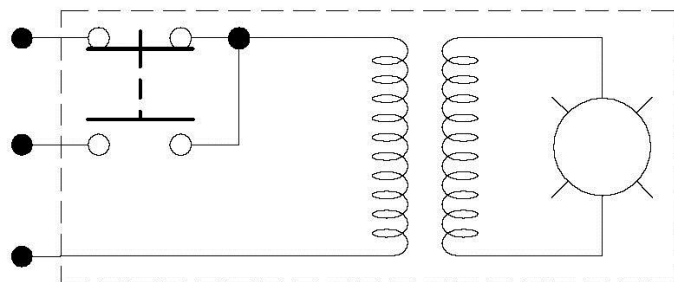
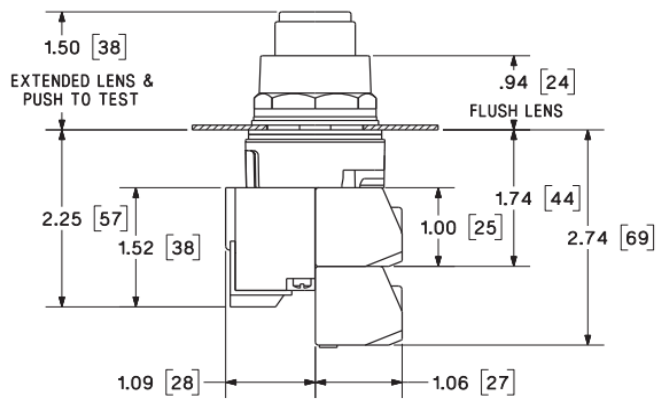


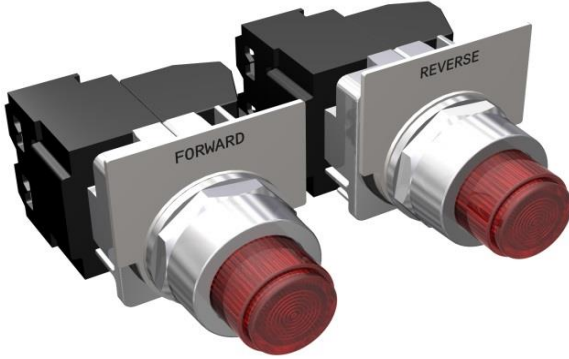
Image is representative and may not depict the actual product.

General technical data:	
Weight	0.58 lb (per light)
Height x Width x Depth	2.1 x 2.0 x 4.0 in (per light)
Finger-safe	Yes
Environmental ratings	NEMA 1, 3, 3R, 4, 12 & 13
Maximum altitude	(no data)
Ambient storage temperature	(-40 to 85)°C / (-40 to 185)°F
Ambient operating temperature	(-35 to 70)°C / (-31 to 158)°F
Humidity (% non-condensing)	(no data)
Country of origin	Mexico
Resistance against vibration per IEC 60068-2-6	5 - 60 Hz: 5.5g
Maximum operating cycles	1,000 per hour
Material of front ring	Metal with chrome plating
Operating voltage (transformer input):	
49SPLPJGJ (full voltage non-transformer type)	Nominal: 24VAC; Range: 21.6 - 26.4VAC
49SPLPJGF	Nominal: 120VAC; Range: 108 - 132VAC
49SPLPJGG	Nominal: 240VAC; Range: 216 - 264VAC
49SPLPJGH	Nominal: 480VAC; Range: 432 - 528VAC
49SPLPJGE	Nominal: 600VAC; Range: 540 - 660VAC
Lamp:	
Number of lamp holders	1 (per light)
Type (used with 24VAC full voltage pilot light)	24V incandescent type 757 (rated 80 mA)
Type (used with 120, 240, 480 & 600 VAC transformer P.L.)	6V incandescent type 755 (rated 150 mA)
Lens:	
Material	Plastic
Color	Green
Legend:	
Material	Brushed aluminum
Inscription	FORWARD/REVERSE
Background color / foreground color	Aluminum / black
Dimensions	2" wide x 1 7/16" top to center line
Contact Block:	
Number of NC contacts	1
Number of NO contacts	1
Operating Current at A600:	
Thermal continuous test circuit	10A
120VAC	30A Make / 3A Break
480VAC	15A Make / 1.5A Break
600VAC	6A Make / 0.6A Break
Operating Current at P600:	
Thermal continuous test circuit	5A

125VDC	1.1A
250VDC	0.55A
301 to 600VDC	0.2A
Mounting/wiring:	
Mounting type	Rear
Mounting torque	177 lb in. (14.75 lb ft.)
Mounting diameter	30.5 mm
Wire connection type / torque	Screw-type terminals / 7 lb in. - 9 lb in.
Solid & stranded conductors	2 x (18 - 12 AWG) CU 60/75°C
Wires included	Yes
Certificates/approvals:	
	ISO 9001 certification
Additional information:	
	Instruction Sheet

Diagrams are identical for each light.





Push-To-Test Pilot Light
30 mm
Transformer type (except 24VAC which is full voltage)
Red lens
"FORWARD/REVERSE" legend
2 Pilot Lights (1 Forward & 1 Reverse)

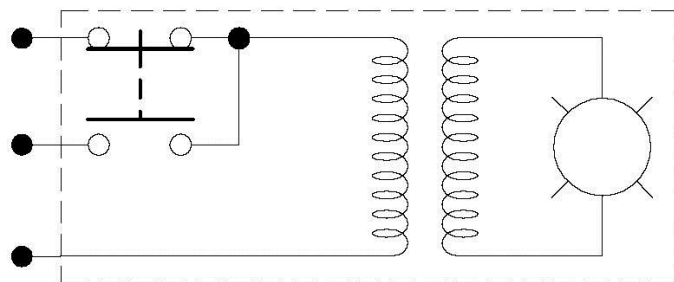
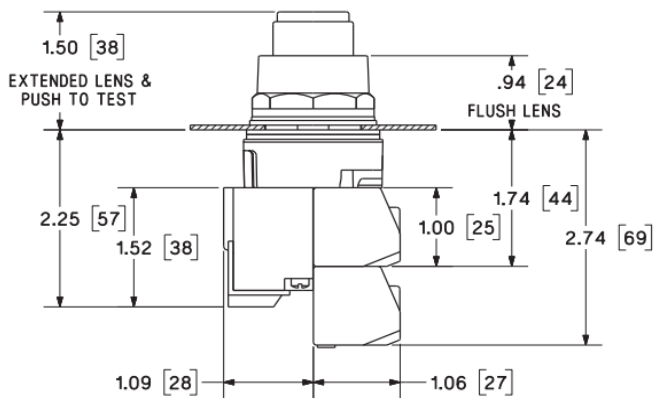


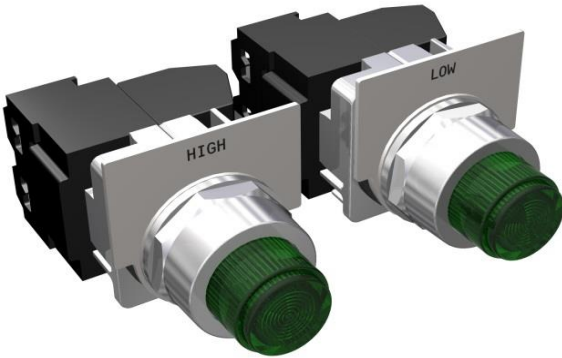
Image is representative and may not depict the actual product.

General technical data:	
Weight	0.58 lb (per light)
Height x Width x Depth	2.1 x 2.0 x 4.0 in (per light)
Finger-safe	Yes
Environmental ratings	NEMA 1, 3, 3R, 4, 12 & 13
Maximum altitude	(no data)
Ambient storage temperature	(-40 to 85)°C / (-40 to 185)°F
Ambient operating temperature	(-35 to 70)°C / (-31 to 158)°F
Humidity (% non-condensing)	(no data)
Country of origin	Mexico
Resistance against vibration per IEC 60068-2-6	5 - 60 Hz: 5.5g
Maximum operating cycles	1,000 per hour
Material of front ring	Metal with chrome plating
Operating voltage (transformer input):	
49SPLPJRJ (full voltage non-transformer type)	Nominal: 24VAC; Range: 21.6 - 26.4VAC
49SPLPJRJF	Nominal: 120VAC; Range: 108 - 132VAC
49SPLPJRJG	Nominal: 240VAC; Range: 216 - 264VAC
49SPLPJRJH	Nominal: 480VAC; Range: 432 - 528VAC
49SPLPJRJE	Nominal: 600VAC; Range: 540 - 660VAC
Lamp:	
Number of lamp holders	1 (per light)
Type (used with 24VAC full voltage pilot light)	24V incandescent type 757 (rated 80 mA)
Type (used with 120, 240, 480 & 600 VAC transformer P.L.)	6V incandescent type 755 (rated 150 mA)
Lens:	
Material	Plastic
Color	Red
Legend:	
Material	Brushed aluminum
Inscription	FORWARD/REVERSE
Background color / foreground color	Aluminum / black
Dimensions	2" wide x 1 7/16" top to center line
Contact Block:	
Number of NC contacts	1
Number of NO contacts	1
Operating Current at A600:	
Thermal continuous test circuit	10A
120VAC	30A Make / 3A Break
480VAC	15A Make / 1.5A Break
600VAC	6A Make / 0.6A Break
Operating Current at P600:	
Thermal continuous test circuit	5A

125VAC 250VAC 301 to 600VAC	1.1A 0.55A 0.2A
Mounting/wiring:	
Mounting type Mounting torque Mounting diameter Wire connection type / torque Solid & stranded conductors Wires included	Rear 177 lb in. (14.75 lb ft.) 30.5 mm Screw-type terminals / 7 lb in. - 9 lb in. 2 x (18 - 12 AWG) CU 60/75°C Yes
Certificates/approvals:	ISO 9001 certification
Additional information:	Instruction Sheet

Diagrams are identical for each light.





Push-To-Test Pilot Light
30 mm
Transformer type (except 24VAC which is full voltage)
Green lens
"LOW/HIGH" legend
2 Pilot Lights (1 High & 1 Low)

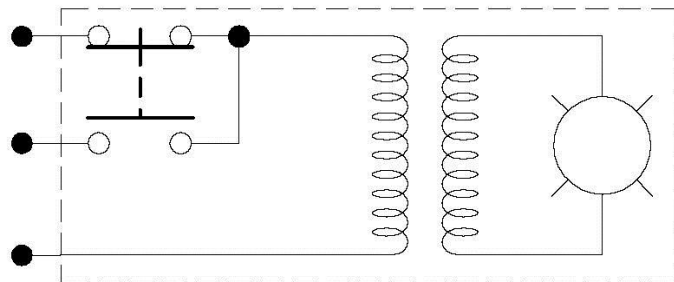
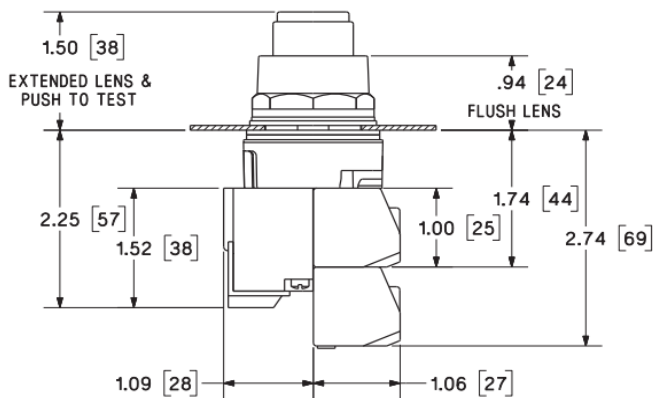


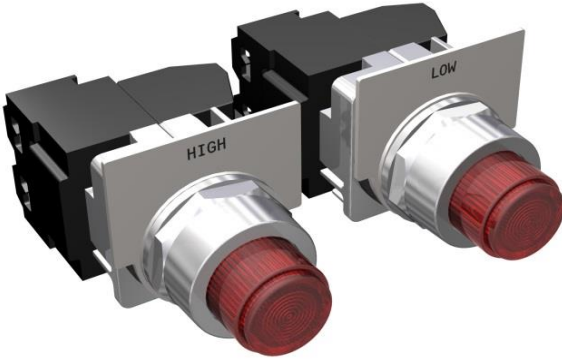
Image is representative and may not depict the actual product.

General technical data:	
Weight	0.58 lb (per light)
Height x Width x Depth	2.1 x 2.0 x 4.0 in (per light)
Finger-safe	Yes
Environmental ratings	NEMA 1, 3, 3R, 4, 12 & 13
Maximum altitude	(no data)
Ambient storage temperature	(-40 to 85)°C / (-40 to 185)°F
Ambient operating temperature	(-35 to 70)°C / (-31 to 158)°F
Humidity (% non-condensing)	(no data)
Country of origin	Mexico
Resistance against vibration per IEC 60068-2-6	5 - 60 Hz: 5.5g
Maximum operating cycles	1,000 per hour
Material of front ring	Metal with chrome plating
Operating voltage (transformer input):	
49SPLPKGJ (full voltage non-transformer type)	Nominal: 24VAC; Range: 21.6 - 26.4VAC
49SPLPKG F	Nominal: 120VAC; Range: 108 - 132VAC
49SPLPKG G	Nominal: 240VAC; Range: 216 - 264VAC
49SPLPKG H	Nominal: 480VAC; Range: 432 - 528VAC
49SPLPKG E	Nominal: 600VAC; Range: 540 - 660VAC
Lamp:	
Number of lamp holders	1 (per light)
Type (used with 24VAC full voltage pilot light)	24V incandescent type 757 (rated 80 mA)
Type (used with 120, 240, 480 & 600 VAC transformer P.L.)	6V incandescent type 755 (rated 150 mA)
Lens:	
Material	Plastic
Color	Green
Legend:	
Material	Brushed aluminum
Inscription	LOW/HIGH
Background color / foreground color	Aluminum / black
Dimensions	2" wide x 1 7/16" top to center line
Contact Block:	
Number of NC contacts	1
Number of NO contacts	1
Operating Current at A600:	
Thermal continuous test circuit	10A
120VAC	30A Make / 3A Break
480VAC	15A Make / 1.5A Break
600VAC	6A Make / 0.6A Break
Operating Current at P600:	
Thermal continuous test circuit	5A

125VDC	1.1A
250VDC	0.55A
301 to 600VDC	0.2A
Mounting/wiring:	
Mounting type	Rear
Mounting torque	177 lb in. (14.75 lb ft.)
Mounting diameter	30.5 mm
Wire connection type / torque	Screw-type terminals / 7 lb in. - 9 lb in.
Solid & stranded conductors	2 x (18 - 12 AWG) CU 60/75°C
Wires included	Yes
Certificates/approvals:	
	ISO 9001 certification
Additional information:	
	Instruction Sheet

Diagrams are identical for each light.





Push-To-Test Pilot Light
30 mm
Transformer type (except 24VAC which is full voltage)
Red lens
"LOW/HIGH" legend
2 Pilot Lights (1 High & 1 Low)



Image is representative and may not depict the actual product.

General technical data:	
Weight	0.58 lb (per light)
Height x Width x Depth	2.1 x 2.0 x 4.0 in (per light)
Finger-safe	Yes
Environmental ratings	NEMA 1, 3, 3R, 4, 12 & 13
Maximum altitude	(no data)
Ambient storage temperature	(-40 to 85)°C / (-40 to 185)°F
Ambient operating temperature	(-35 to 70)°C / (-31 to 158)°F
Humidity (% non-condensing)	(no data)
Country of origin	Mexico
Resistance against vibration per IEC 60068-2-6	5 - 60 Hz: 5.5g
Maximum operating cycles	1,000 per hour
Material of front ring	Metal with chrome plating
Operating voltage (transformer input):	
49SPLPKRJ (full voltage non-transformer type)	Nominal: 24VAC; Range: 21.6 - 26.4VAC
49SPLPKRF	Nominal: 120VAC; Range: 108 - 132VAC
49SPLPKRG	Nominal: 240VAC; Range: 216 - 264VAC
49SPLPKRH	Nominal: 480VAC; Range: 432 - 528VAC
49SPLPKRE	Nominal: 600VAC; Range: 540 - 660VAC
Lamp:	
Number of lamp holders	1 (per light)
Type (used with 24VAC full voltage pilot light)	24V incandescent type 757 (rated 80 mA)
Type (used with 120, 240, 480 & 600 VAC transformer P.L.)	6V incandescent type 755 (rated 150 mA)
Lens:	
Material	Plastic
Color	Red
Legend:	
Material	Brushed aluminum
Inscription	LOW/HIGH
Background color / foreground color	Aluminum / black
Dimensions	2" wide x 1 7/16" top to center line
Contact Block:	
Number of NC contacts	1
Number of NO contacts	1
Operating Current at A600:	
Thermal continuous test circuit	10A
120VAC	30A Make / 3A Break
480VAC	15A Make / 1.5A Break
600VAC	6A Make / 0.6A Break
Operating Current at P600:	
Thermal continuous test circuit	5A

125VDC	1.1A
250VDC	0.55A
301 to 600VDC	0.2A
Mounting/wiring:	
Mounting type	Rear
Mounting torque	177 lb in. (14.75 lb ft.)
Mounting diameter	30.5 mm
Wire connection type / torque	Screw-type terminals / 7 lb in. - 9 lb in.
Solid & stranded conductors	2 x (18 - 12 AWG) CU 60/75°C
Wires included	Yes
Certificates/approvals:	
	ISO 9001 certification
Additional information:	
	Instruction Sheet

Diagrams are identical for each light.

