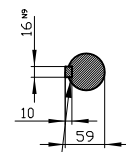
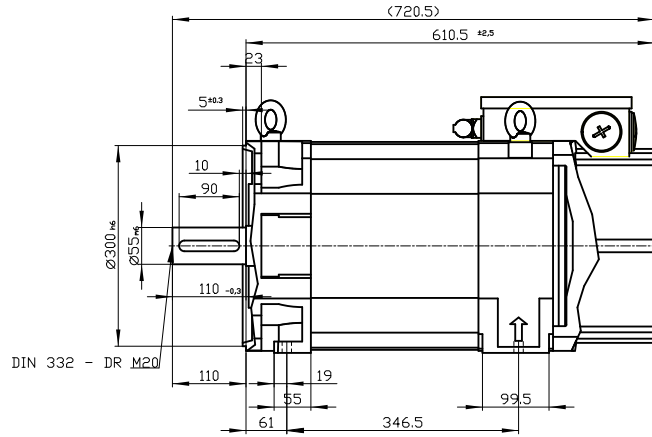


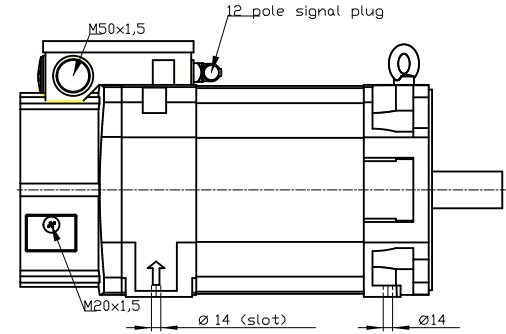
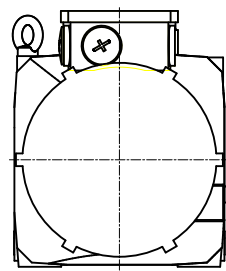
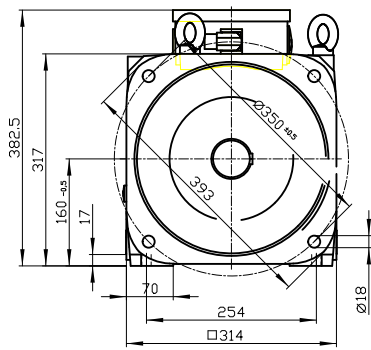
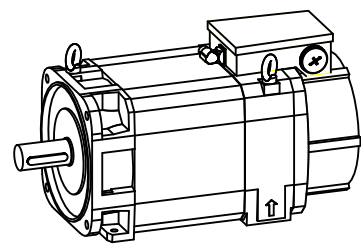
DE - shaft extension version with featherkey



deviation acc. to DIN 6885 sheet 1



DIN 332 - DR M20



Type of construction IM B35 (IM V15, IM V35) / Type of protection: IP55

Terminal box	gk863	1PH8163-1HD13-2BB1
Weight	196 kg	
Unit	mm (in)	
Date	2/5/20	
SIEMENS AG		
not toleranced dimensions: ± 1		DT