

Catalog Numbers

Catalog No.	Amperage Rating Max	Max Interrupting Rating
1 PHASE, 3 WIRE, 120/240V AC MAX		
WB11800W	1800	65,000
WB11800WU	1800	100,000
WB12000W	2000	65,000
WB12000WU	2000	100,000
3 PHASE, 4 WIRE, 240V AC MAX		
WB31800W	1800	65,000
WB31800WU	1800	100,000
WB32000W	2000	65,000
WB32000WU	2000	100,000

- FOR OVERHEAD OR UNDERGROUND SERVICE
- TYPE 3R OUTDOOR ENCLOSURE
- MAIN BUS RATING: 1200A MAX. (1200A MAX FEED PER SIDE)

Additional Modules, Accessories, and Lug Kits

Connect Modules Using:	Catalog Number / Torque
QuickConnect	QC1 (1ph) or QC4 (3ph) 400-440 lb-in (35-36 ft.-lb.) Torque
Single Bolt Joint	SBJ1 (1ph) or SBJ4 (3ph) 400-480 lb-in (35-40 ft.-lb.) Torque

FOR USE WITH:		
Module Description	Siemens Series#	Murray Series#
Main Breakers	(W)MC, WB, WEB	DB W
Switches	WMP, WMS, WS, WES	DPT W, DT W
Tap/Terminal Boxes	WMTB, WTB, WET	DTB_W
Meter Module	WMM, WxMM, WMT, WML, WMK	DG_W, DC_W, DL_W
Extension Box	WMEX, WSP	DS
Bussed Elbow	(W)BE	DL

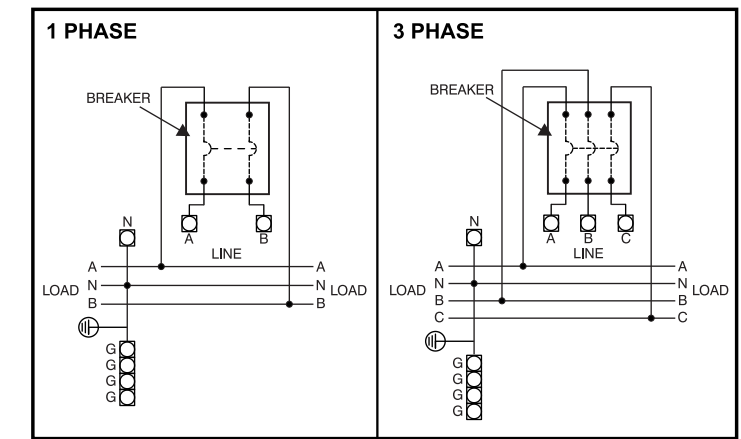
1 Phase: Lugs for Phase and Neutral Connections (not supplied)						
NEMA Lug	MFG	Wire Range	Type	No. Wires per phase	Torque (lb.-in.)	
LK16750N2	Siemens	1/0-750 kcmil	Mechanical	6	500	
2ACL-750	ILSCO	750 kcmil	Compression	6	NA	②

3 Phase: Lugs for Phase and Neutral Connections (not supplied)						
NEMA Lug	MFG	Wire Range	Type	No. Wires per phase	Torque (lb.-in.)	
LK36750N2	Siemens	1/0-750 kcmil	Mechanical	6	500	
2ACL-750	ILSCO	750 kcmil	Compression	6	NA	②

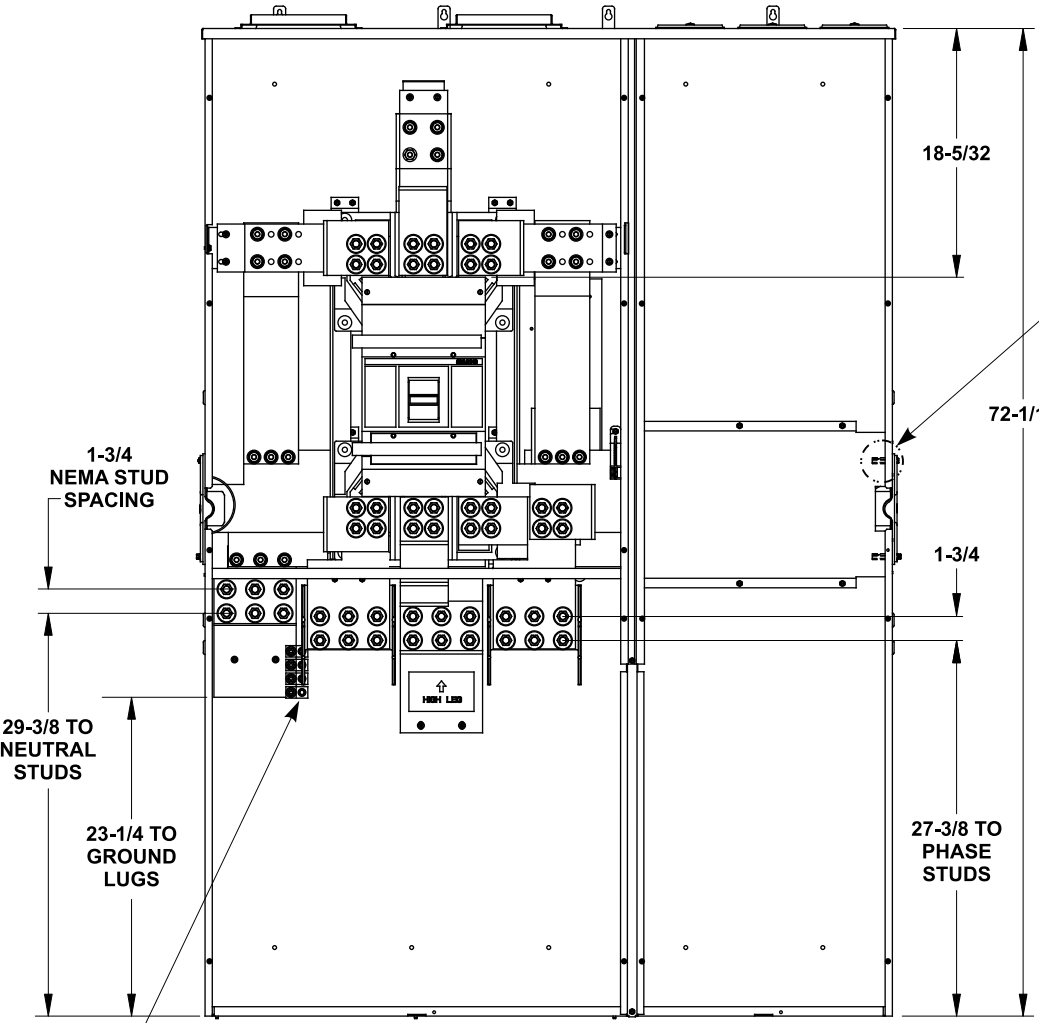
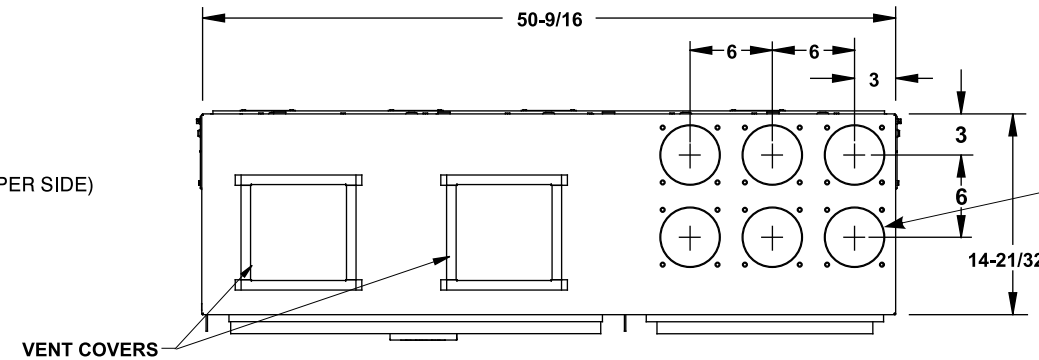
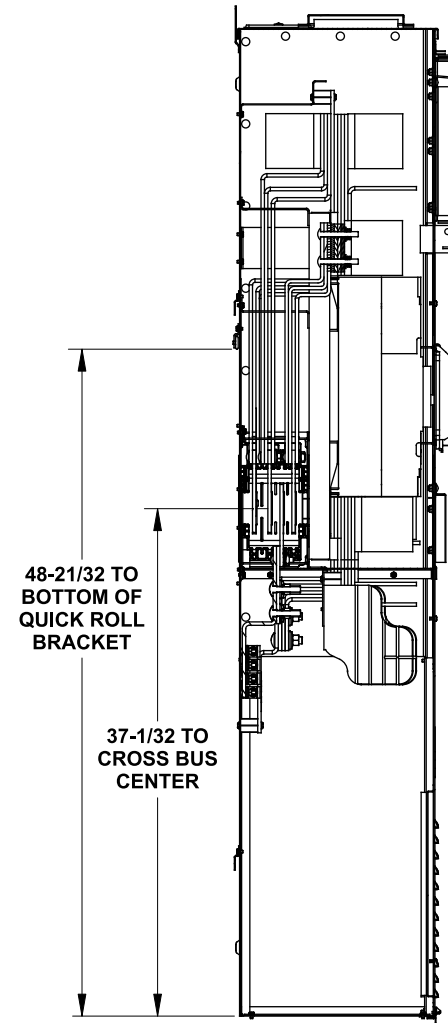
- ① Order one mechanical lug kit for main breaker and neutral conversions. Contact lug manufacturer for compression lug quantities supplied for each kit.
 ② See lug manufacturer's instruction sheet supplied with the connector for tool, die, and number of crimps.

Siemens Accessories	Catalog Number
Hub Cover Plate	EC56933S
Type HD Hub 2"	EC56854
Type HD Hub 2-1/2"	EC56855
Type HD Hub 3"	EC56856
Type HD Hub 3-1/2"	EC56857
Type HD Hub 4"	EC56858

Schematics

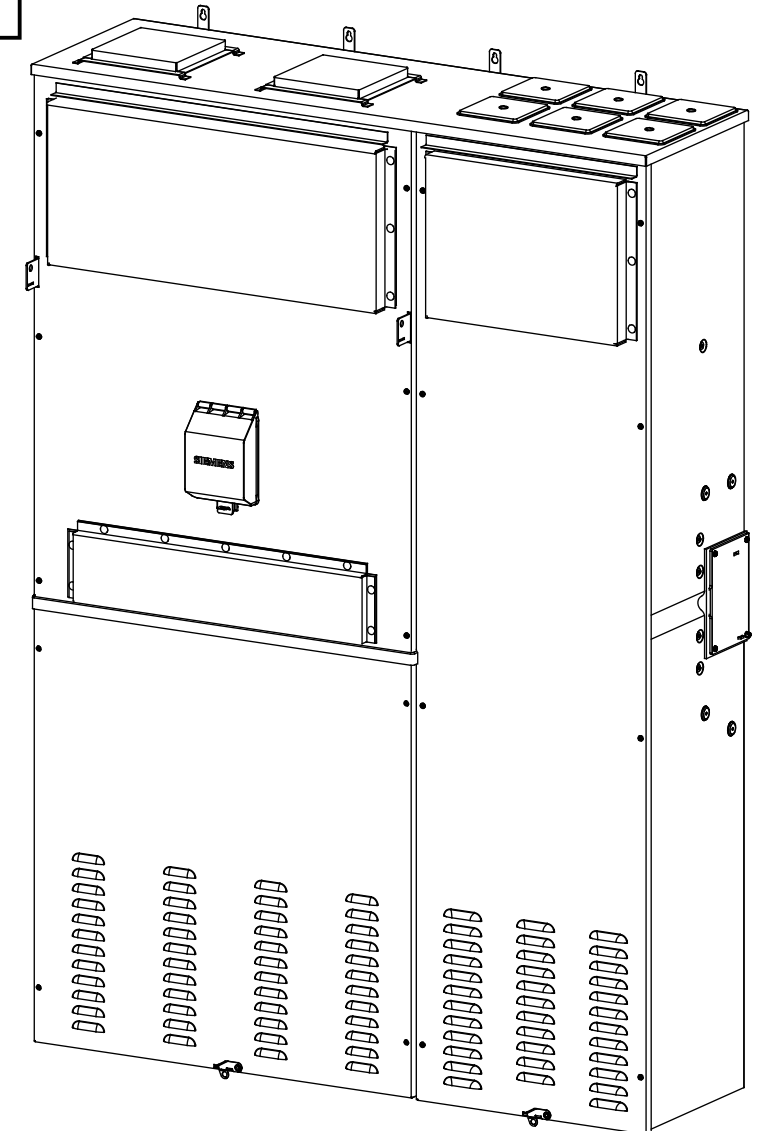
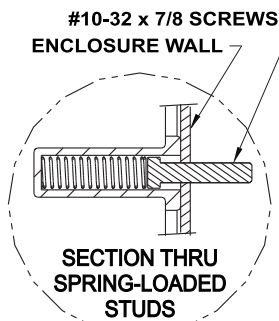
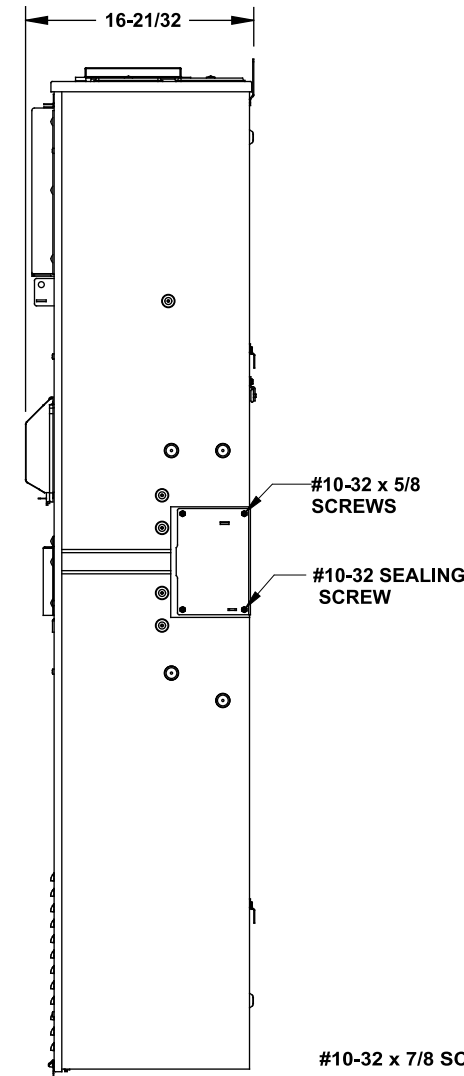


SECTION VIEW



(6) TYPE "HD" 4" MAX. HUB OPENINGS - FACTORY INSTALLED COVER PLATES

SPRING-LOADED STUDS (SEE DETAIL)



© 2011 Copyright Siemens Industry, Inc.

Siemens Industry, Inc.

PowerMod™ Breaker Mains

Catalog Numbers: **WB11800W thru WB32000WU**
Service Entrance Breaker Mains

Size B Dwg. No. **2000A_W_SE_Brkr_Mains**

Dwn KAM Date 8/8/11 DO NOT SCALE DRAWING SHEET 1 OF 1