



front mounted rotary operator EMERGENCY OFF IEC IP30/40 accessory for: 3VA55; 3VA65/3VA66

Model	
product brand name	SETRON
product designation	front rotary operating mechanism
accessories	Front rotary operator
General technical data	
degree of protection NEMA rating	1
protection class IP	IP30
Certificates	
General Product Approval	EMV



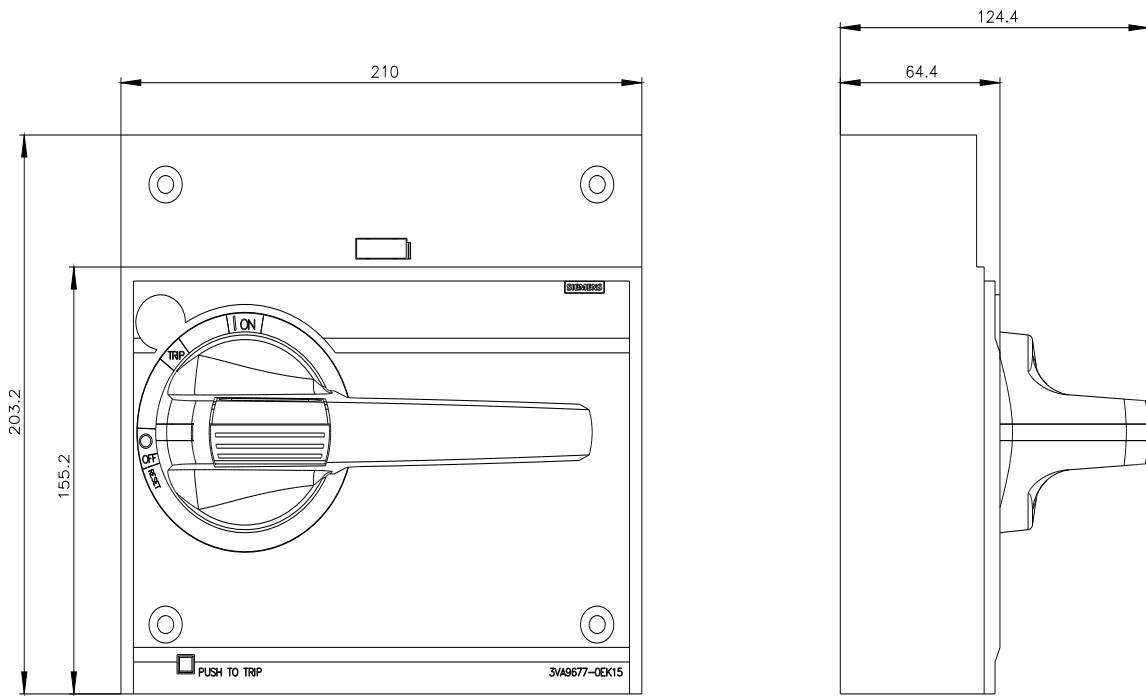
[Miscellaneous](#)



Test Certificates	Marine / Shipping	other	Environment		
Type Test Certificates/Test Report		Miscellaneous	Confirmation	Miscellaneous	Environmental Confirmations

Environment
Environmental Confirmations

Further information
<p>Information on the packaging https://support.industry.siemens.com/cs/ww/en/view/109813875</p> <p>Information- and Downloadcenter (Catalogs, Brochures,...) http://www.siemens.com/lowvoltage/catalogs</p> <p>Industry Mall (Online ordering system) https://mall.industry.siemens.com/mall/en/en/Catalog/product?mlfb=3VA9677-0EK15</p> <p>Service&Support (Manuals, Certificates, Characteristics, FAQs,...) https://support.industry.siemens.com/cs/ww/en/ps/3VA9677-0EK15</p> <p>Image database (product images, 2D dimension drawings, 3D models, device circuit diagrams, ...) http://www.automation.siemens.com/bilddb/cax_en.aspx?mlfb=3VA9677-0EK15</p> <p>CAX-Online-Generator http://www.siemens.com/cax</p>



last modified:

8/10/2024 

