

Solenoid, rectangular small 25 x 36 mm for magnet switch 3SE66..-3CA0. Position: Solenoid and contact block on one fixing level



Product brand name	SIRIUS
Product designation	Magnetically operated switch
Design of the product	Coded magnet, rectangular
Product type designation	3SE67

General technical data

Product feature	Same level
Protection class IP	IP67
Height of the sensor	36 mm
Length of the sensor	13 mm
Width of the sensor	26 mm

Enclosure

Material of the enclosure	plastic
---------------------------	---------

Installation/ mounting/ dimensions

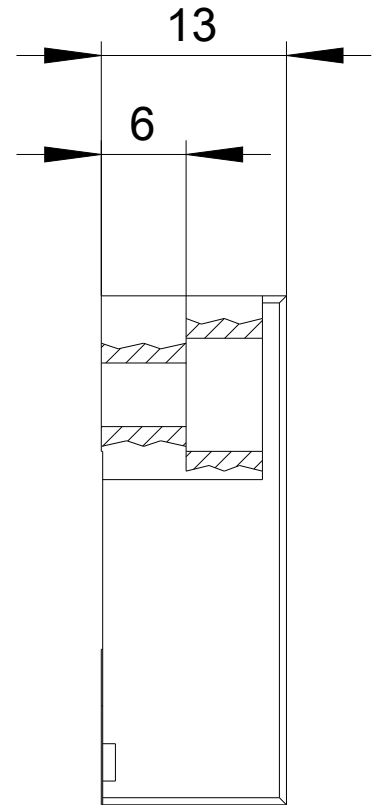
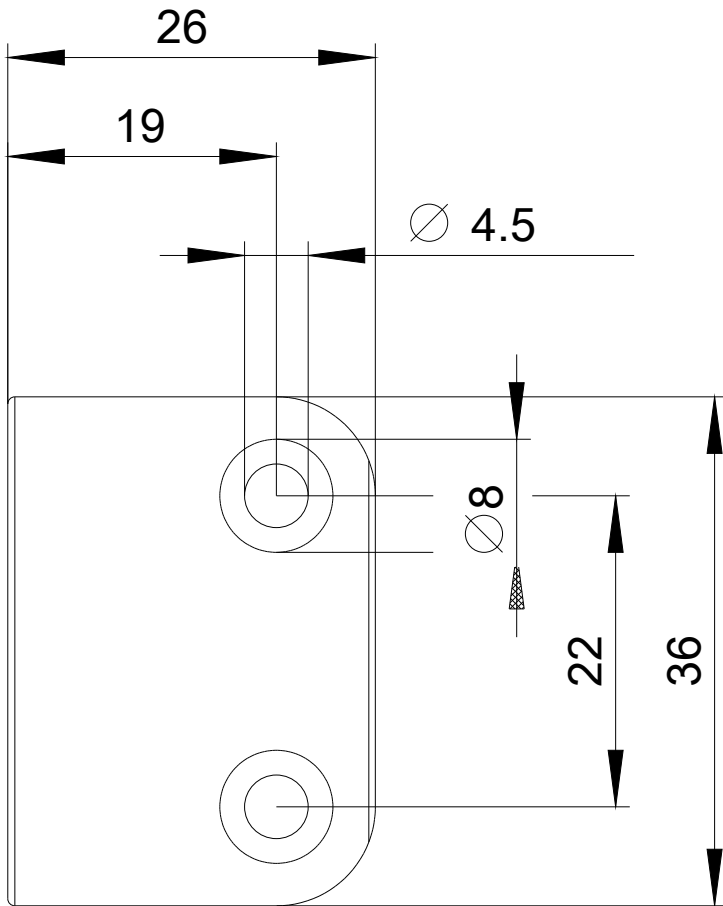
Mounting type	screw fixing
---------------	--------------

Certificates/ approvals

[Confirmation](#)

Further information

Information- and Downloadcenter (Catalogs, Brochures,...)www.siemens.com/sirius/catalogs**Industry Mall (Online ordering system)**<https://mall.industry.siemens.com/mall/en/en/Catalog/product?mlfb=3SE6714-3CA>**Cax online generator**<http://support.automation.siemens.com/WW/CAXorder/default.aspx?lang=en&mlfb=3SE6714-3CA>**Service&Support (Manuals, Certificates, Characteristics, FAQs,...)**<https://support.industry.siemens.com/cs/ww/en/ps/3SE6714-3CA>**Image database (product images, 2D dimension drawings, 3D models, device circuit diagrams, EPLAN macros, ...)**http://www.automation.siemens.com/bilddb/cax_de.aspx?mlfb=3SE6714-3CA&lang=en



last modified:

07/26/2019