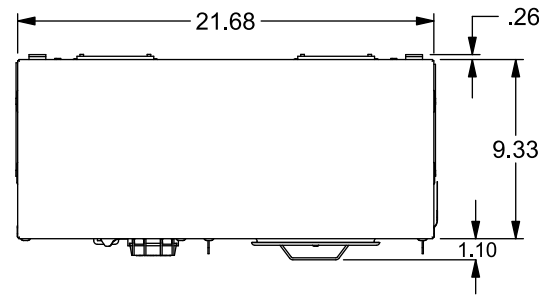


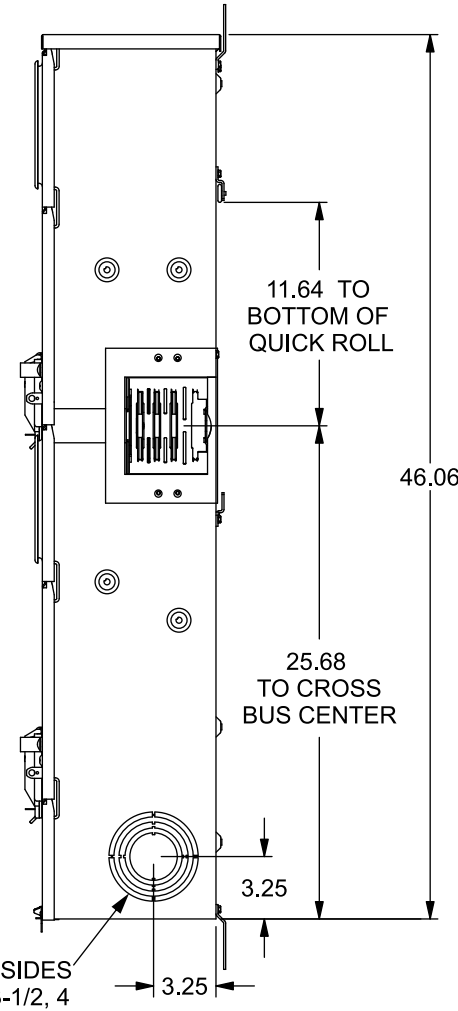
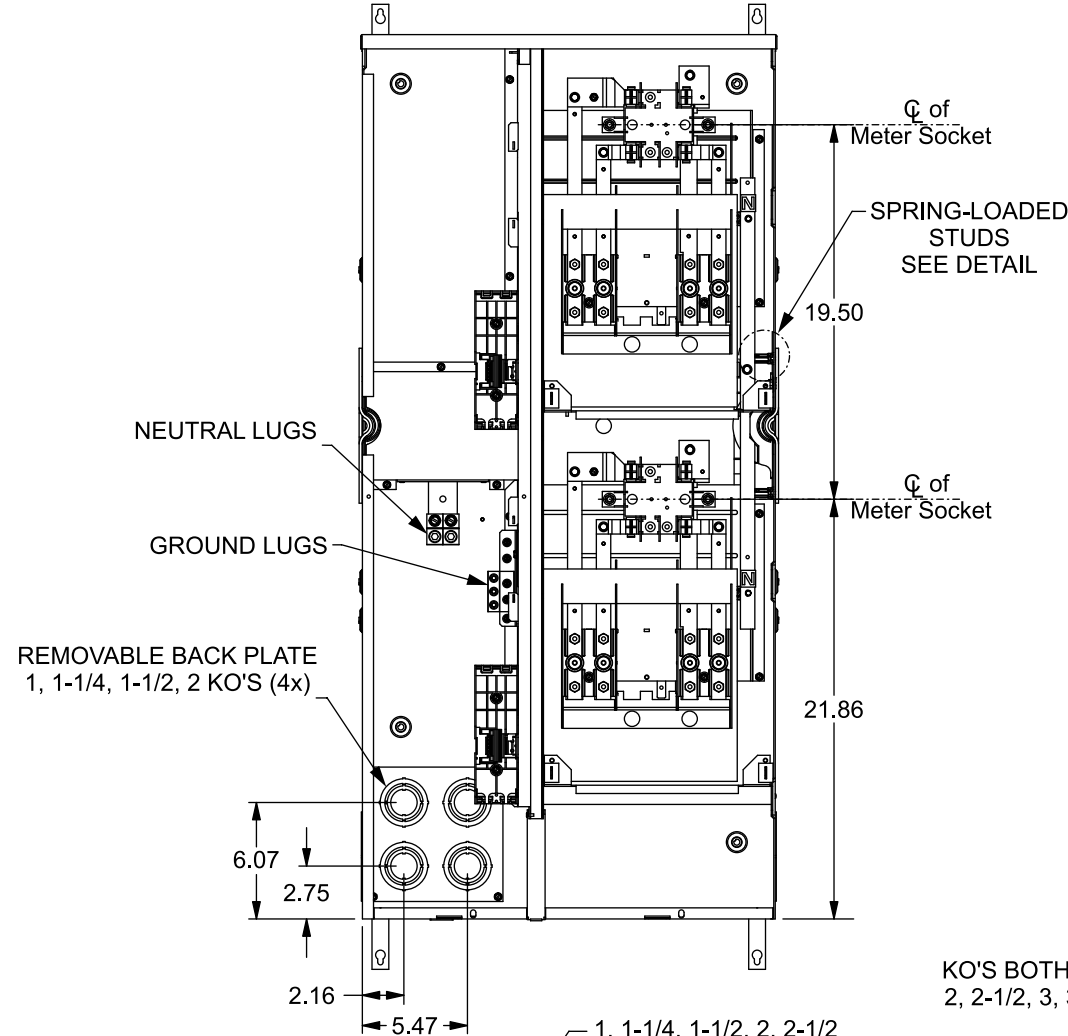
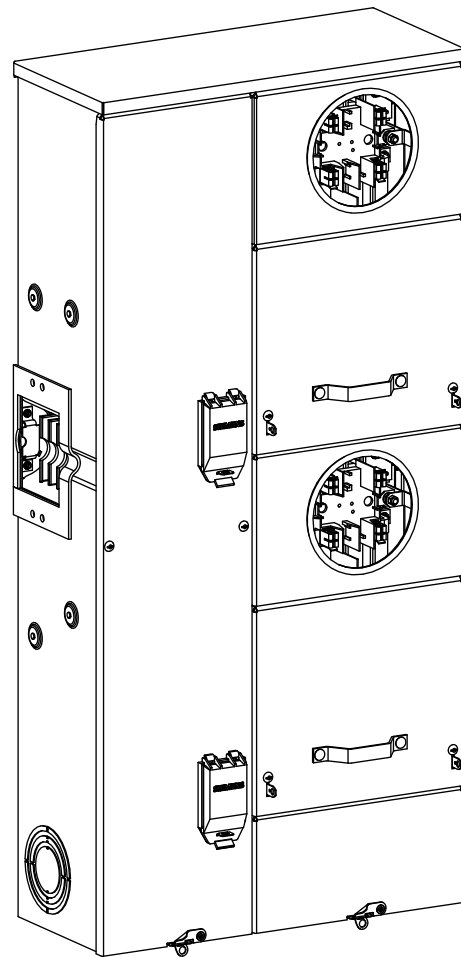
## Catalog Numbers, Ratings and Features

Catalog No.	Max. Branch Rating	Main Bus, 1200A Max.	Breaker Type	Meter Socket Cover	Meter Socket Type/ Continuous Rating	No. of Jaws	Bypass Type	Neutral Lug (Qty) and Wire Range	Equip Ground Lug (Qty) and Wire Range
WMT21225	225A	1 Phase	QS / QP	Ring	TBB-4 / 200A	4	Test Block	(2) #4-300 kcmil	(3) #4-2/0 AWG

- TYPE 3R OUTDOOR ENCLOSURE
- 120/240 VOLTS AC, 1 PHASE, 3 WIRE
- 1 PHASE INPUT, 1 PHASE OUTPUT
- MOUNTING RAILS AND ADJUSTABLE BRACKETS FOR SECURE MOUNTING
- COMPLIES WITH EUSERC DWG. No. 312 AND 353

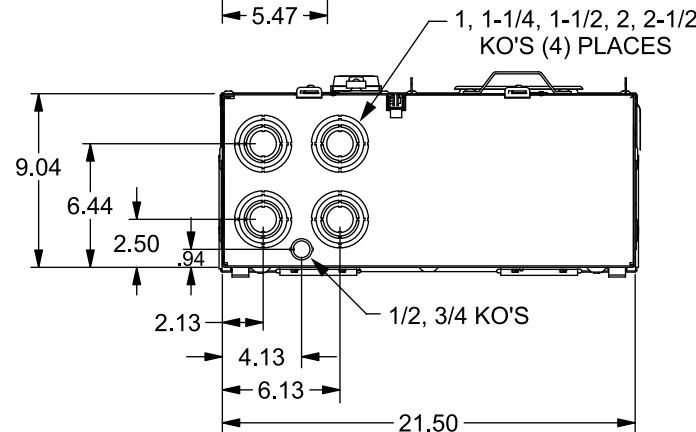
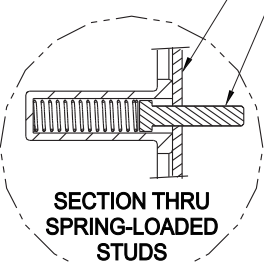


View Shown with Covers Removed



KO'S BOTH SIDES  
2, 2-1/2, 3, 3-1/2, 4

#10-32 x 7/8 SCREWS  
ENCLOSURE WALL



## Additional Modules and Accessories

Module Description	Siemens Series#
Main Breakers	WB(M), WEB(M), WXB, BFT
Switches	WMP, WS, WES, WXS
Tap/Terminal Boxes	WTB, WET, WT_PU, WTBN, WBT
Pull Boxes	WMMB
Meter Module	(W)MM, (W)MT, (W)ML, (W)MK, (W)MLZ(F), (W)MN
Meter Combinations	WC, WCL, WCT
Extension Box	WSP, WSPD
Bussed Elbow	BE, WELB

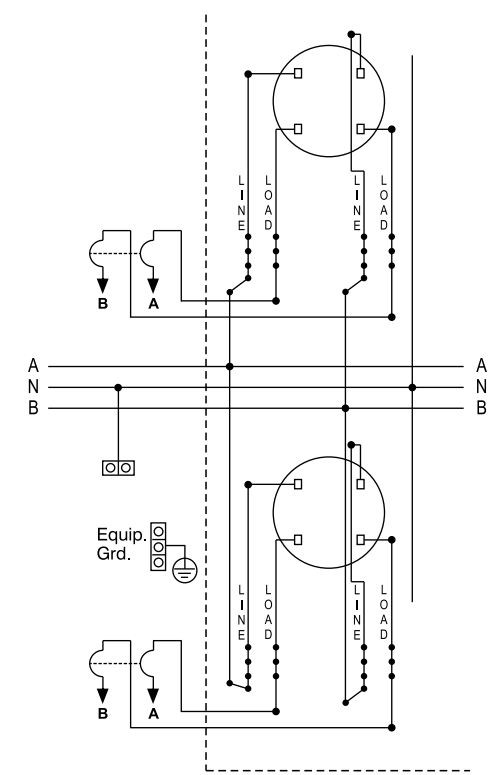
### Connect Modules Using Quick Connect

Cat. No. \_\_\_\_\_ Torque  
QC1 (1ph) 400-440 lb-in (35-36 ft.-lb.)

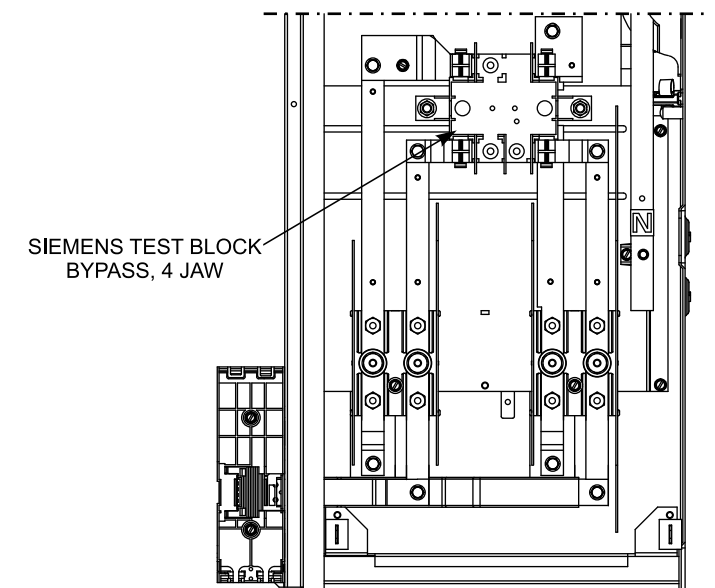
### 5th Jaw Accessory

Catalog Number: ECMT5

## Schematic



## Enlarged Socket Detail



© 2018 Copyright Siemens Industry, Inc.

**SIEMENS**  
Siemens Industry, Inc.

**PowerMod™ Modular Metering**

Description:  
**Test Block Bypass 2 Position 225A Tenant  
1in-1out Commercial Metering Module**

KAM 4/20/18 DO NOT SCALE DRAWING Dwg No: **WMT21225**