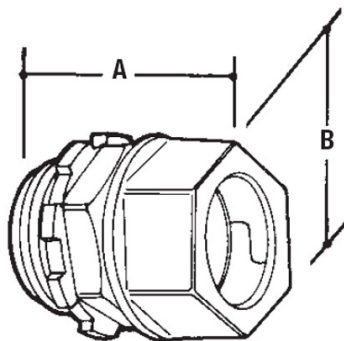


Steel City



EMT Conduit Fittings
T&B Catalog Number:

TC 219 SC
 78599143749
 Active

UPC Number:
Status:
Description:

3 1/2" Compression Connector, Die Cast Zinc, Concrete tight. For use with EMT Conduit.

Features

Concrete Tight

Application

For use with EMT conduit

General

Trade Size (inches)	3 1/2
Material	Die Cast Zinc
Connection Type	Compression

Dimension Information

Dimension A (inches)	2 47/64
Dimension B (inches)	4 7/16

Packaging

Package in Units	10
T&B Sold in UOM	Each
T&B Weight Per UOM	205 lbs. per 100

Application Support

Product Selector	sg_emt_diecast_couple_conn
------------------	----------------------------

Certifications

RoHS Compliance	Yes
-----------------	-----

Certifications



File Nbr:
 E 16592

For further technical assistance, please contact us...

Thomas & Betts - USA
 8155 T&B Blvd.
 Memphis, TN 38125
 www.tnb.com

T&B Technical Support
 MS 3B-50
 8155 T&B Blvd.
 Memphis, TN 38125

Hours: 7AM - 6PM CDT
 Monday-Friday
 Phone: (888) 862-3289
 Fax: (901) 252-1321
 Email:techsupport@tnb.com