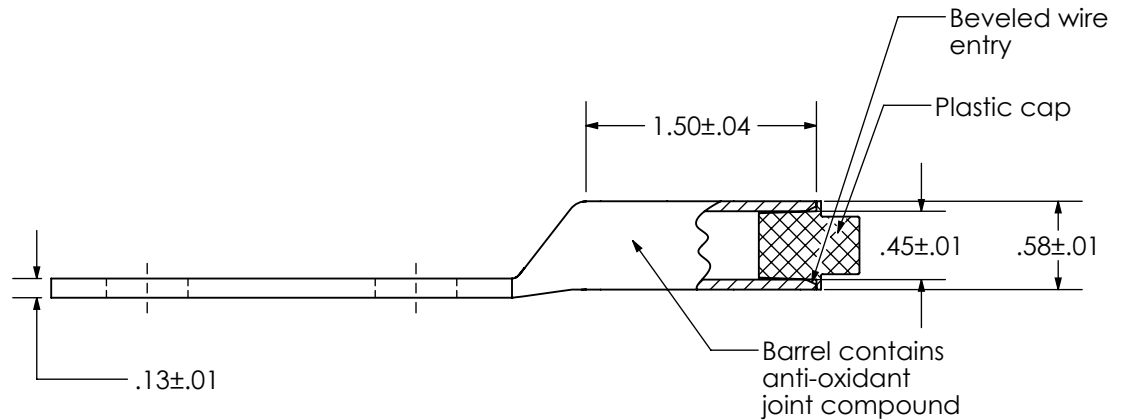
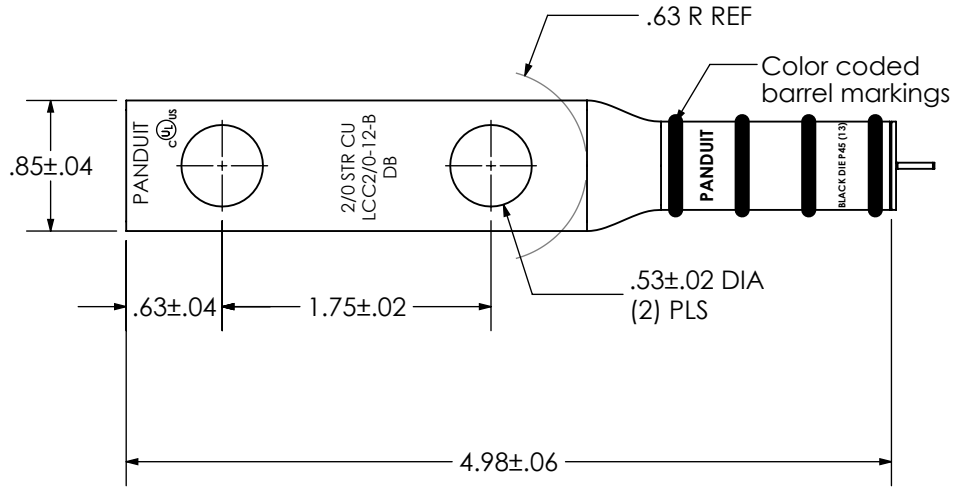


THIS COPY IS PROVIDED ON A RESTRICTED BASIS AND IS NOT TO BE USED IN ANY WAY DETRIMENTAL TO THE INTERESTS OF PANDUIT CORP.

Material	High Conductivity Seamless Copper Tube
Coating	Clear Coating
Wire Size	2/0 AWG
Wire Type	Stranded Copper; Class B: Compact, Compressed or Concentric, Class C: Concentric
Wire Strip Length	1-9/16 in.
Stud Size	1/2 in.
UL Listed Wire Connector	Yes, for applications up to 35kv. Consult cable manufacturer for voltage stress relief instructions with applications greater than 2000 volts.  UL Listed per UL467 for grounding and bonding and suitable for direct burial in earth or concrete.
UL Temperature Rating	90° C
C.S.A Certified Wire Connector	N/A
Panduit Color Code on Barrel	BLACK
Panduit Die Index No. on Barrel	P45
Alternate Industry Die Index No. ( ) on Barrel	(13)



**DB**  
**RATED**

**PANDUIT CORP. TINLEY PARK, ILLINOIS**

LCC2/0-12-B-X  
Copper Lug - Two-Hole, Long Barrel, Direct Burial

00	3/16	JHNU	RGB
<b>REV</b>	<b>DATE</b>	<b>BY</b>	<b>CHK</b>

DRAWING RELEASED

00076FBD-  
LCC2/0-12-B-CUST

RGB RGB

**DESCRIPTION**

**ECN**

**-R SUP**

SCALE  
N/A

**DRAWING NO / CAD FILE**

LCC2\_0-12-B-CUST