

Catalog Numbers

Catalog No.	Amperage Rating Max	Max Interrupting Rating	Catalog No.	Amperage Rating Max	Max Interrupting Rating
1 PHASE, 3 WIRE, 120/240V AC MAX			3 PHASE, 4 WIRE, 240V AC MAX		
WEB1900B	900	65,000	WEB3900B	900	65,000
WEB1900BU	900	100,000	WEB3900BU	900	100,000
WEB11000B	1000	65,000	WEB31000B	1000	65,000
WEB11000BU	1000	100,000	WEB31000BU	1000	100,000
WEB11200B	1200	65,000	WEB31200B	1200	65,000
WEB11200BU	1200	100,000	WEB31200BU	1200	100,000

- TYPE 3R OUTDOOR ENCLOSURE
- MAIN BUS RATING: 1200A MAX.
- FOR UNDERGROUND SERVICE ONLY
- COMPLIES WITH EUSERC DWG. NO. 347 / 315

Order Catalog Numbers below for units with Lug Kits factory installed.

CATALOG Number	BASE Number	with Lug Kit Factory Installed
WEB1900BA9	WEB1900B	LK14500N2E
WEB1900BUA9	WEB1900BU	LK14500N2E
WEB1900BA18	WEB1900B	LK13750N2E
WEB1900BUA18	WEB1900BU	LK13750N2E
WEB3900BB9	WEB3900B	LK34500N2E
WEB3900BUB9	WEB3900BU	LK34500N2E
WEB3900BB18	WEB3900B	LK33750N2E
WEB3900BUB18	WEB3900BU	LK33750N2E
WEB11000BA9	WEB11000B	LK14500N2E
WEB11000BUA9	WEB11000BU	LK14500N2E
WEB11000BA18	WEB11000B	LK13750N2E
WEB11000BUA18	WEB11000BU	LK13750N2E
WEB31000BB9	WEB31000B	LK34500N2E
WEB31000BUB9	WEB31000BU	LK34500N2E
WEB31000BB18	WEB31000B	LK33750N2E
WEB31000BUB18	WEB31000BU	LK33750N2E
WEB11200BA9	WEB11200B	LK14500N2E
WEB11200BUA9	WEB11200BU	LK14500N2E
WEB11200BA12	WEB11200B	LK15600N2
WEB11200BA18	WEB11200B	LK13750N2E
WEB11200BUA18	WEB11200BU	LK13750N2E
WEB31200BB9	WEB31200B	LK34500N2E
WEB31200BUB9	WEB31200BU	LK34500N2E
WEB31200BB12	WEB31200B	LK35600N2
WEB31200BUB12	WEB31200BU	LK35600N2
WEB31200BB18	WEB31200B	LK33750N2E
WEB31200BUB18	WEB31200BU	LK33750N2E

Additional Modules, Accessories, and Lug Kits

FOR USE WITH:		
Module Description	Siemens Series#	Murray Series#
Main Breakers	(W)MC, WB, WEB	DB W
Switches	WMP, WMS, WS, WES	DPT_W, DT W
Tap/Terminal Boxes	WMTB, WTB, WET	DTB_W
Meter Module	WMM, WxMM, WMT, WML, WMK	DG_W, DC_W, DL_W
Extension Box	WMEX, WSP	DS
Bussed Elbow	(W)BE	DL

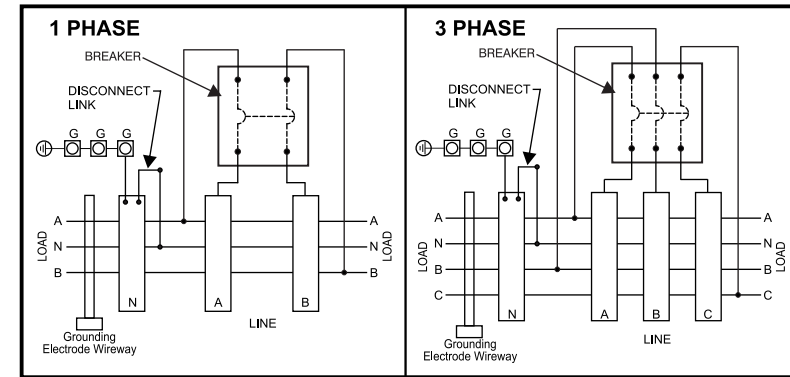
Connect Modules Using	Catalog Number / Torque
QuickConnect	QC1 (1ph) or QC4 (3ph) 400-440 lb-in (35-36 ft.-lb.) Torque
Single Bolt Joint	SBJ1 (1ph) or SBJ4 (3ph) 400-480 lb-in (35-40 ft.-lb.) Torque

1 Phase: Lugs for Phase and Neutral Connections (not supplied)						
NEMA Lug ^①	MFG	Wire Range	Type	No. Wires per phase	Torque (lb.-in.)	
LK13750N2E	Siemens	300-750 kcmil	Mechanical	3	500	
LK14500N2E	Siemens	1/0-500 kcmil	Mechanical	2	375 ^②	
2ACL-500	ILSCO	500 kcmil	Compression	4	NA ^③	
2ACL-750	ILSCO	750 kcmil	Compression	3	NA ^③	

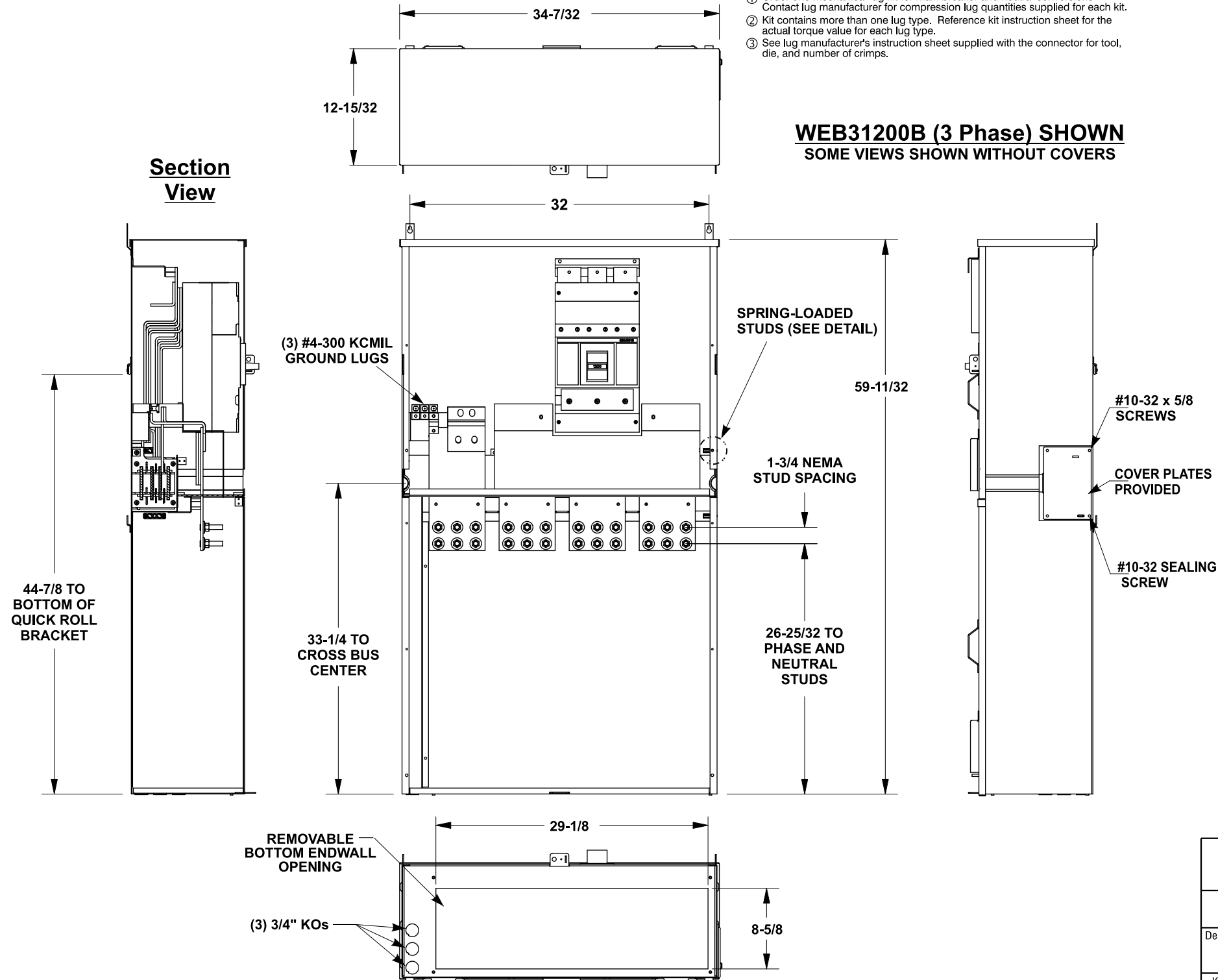
3 Phase: Lugs for Phase and Neutral Connections (not supplied)						
NEMA Lug ^①	MFG	Wire Range	Type	No. Wires per phase	Torque (lb.-in.)	
LK33750N2E	Siemens	300-750 kcmil	Mechanical	3	500	
LK34500N2E	Siemens	1/0-500 kcmil	Mechanical	2	375 ^②	
2ACL-500	ILSCO	500 kcmil	Compression	4	NA ^③	
2ACL-750	ILSCO	750 kcmil	Compression	3	NA ^③	

- ① Order one mechanical lug kit for main breaker and neutral conversions. Contact lug manufacturer for compression lug quantities supplied for each kit.
- ② Kit contains more than one lug type. Reference kit instruction sheet for the actual torque value for each lug type.
- ③ See lug manufacturer's instruction sheet supplied with the connector for tool, die, and number of crimps.

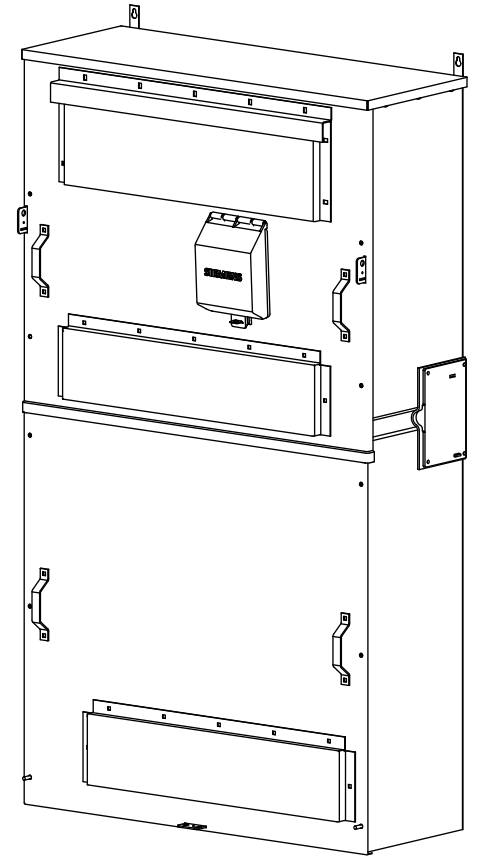
Schematics



Section View



WEB31200B (3 Phase) SHOWN SOME VIEWS SHOWN WITHOUT COVERS



View Shown With Covers

© 2015 Copyright Siemens Industry, Inc.

SIEMENS
Siemens Industry, Inc.

PowerMod™ Breaker Mains

Description: **WEB1900B thru WEB31200BU (EUSERC) Service Entrance Breaker Mains**

KAM 8/5/15 Fam . DO NOT SCALE DRAWING Dwg. No. **900-1200A_E_SE_Brkr_Mains**