

Indicator lights, 22 mm, round, metal, shiny, yellow, lens, smooth, with holder, LED module with integrated LED 110 V AC, spring-type terminal, Z=20-unit packaging



|                                      |                                    |
|--------------------------------------|------------------------------------|
| <b>Product brand name</b>            | SIRIUS ACT                         |
| <b>Product designation</b>           | Indicator lights                   |
| <b>Design of the product</b>         | Complete unit                      |
| <b>Product type designation</b>      | 3SU1                               |
| <b>Product line</b>                  | Metal, shiny, 22 mm                |
| <b>Manufacturer's article number</b> |                                    |
| • of supplied LED module             | <a href="#">3SU1401-1BC30-3AA0</a> |
| • of the supplied holder             | <a href="#">3SU1550-0AA10-0AA0</a> |
| • of supplied repeater               | <a href="#">3SU1051-6AA30-0AA0</a> |

### Enclosure

|                                 |   |
|---------------------------------|---|
| <b>Number of command points</b> | 1 |
|---------------------------------|---|

### Actuator

|  |          |
|--|----------|
| <b>Product extension optional Light source</b> | Yes      |
| <b>Color</b>                                   |          |
| • of the actuating element                     | yellow   |
| <b>Material of the actuating element</b>       | plastic  |
| <b>Shape of the actuating element</b>          | round    |
| <b>Outer diameter of the actuating element</b> | 29.45 mm |

| Front ring   |                                     |
|--|-------------------------------------|
| Product component front ring                             | No                                  |
| Holder   |                                     |
| Material of the holder                                   | Metal                               |
| Display  |                                     |
| Number of LED modules                                    | 1                                   |
| General technical data                                   |                                     |
| <b>Product component</b>                                 |                                     |
| • Light source   | Yes                                 |
| <b>Insulation voltage</b>                                |                                     |
| • rated value  | 320 V                               |
| <b>Degree of pollution</b>                               | 3                                   |
| <b>Surge voltage resistance rated value</b>              | 4 kV                                |
| <b>Protection class IP</b>                               | IP66, IP67, IP69(IP69K)             |
| • of the terminal  | IP20                                |
| <b>Degree of protection NEMA rating</b>                  | NEMA 1, 2, 3, 3R, 4, 4X, 12, 13     |
| <b>Shock resistance</b>                                  |                                     |
| • acc. to IEC 60068-2-27                                 | Sinusoidal half-wave 50 g / 11 ms   |
| <b>Vibration resistance</b>                              |                                     |
| • acc. to IEC 60068-2-6                                  | 10 ... 500 Hz: 5g                   |
| <b>Reference code acc. to DIN EN 81346-2</b>             | P                                   |
| <b>Reference code acc. to DIN EN 61346-2</b>             | P                                   |
| Supply voltage   |                                     |
| <b>Type of voltage of the supply voltage</b>             |                                     |
| • of the light source                                    | AC                                  |
| <b>Supply voltage of the light source at AC</b>          |                                     |
| • at 50 Hz rated value                                   | 110 V                               |
| • at 60 Hz rated value                                   | 110 V                               |
| <b>Relative negative tolerance of the supply voltage</b> | 20 %                                |
| <b>Relative positive tolerance of the supply voltage</b> | 20 %                                |
| Control circuit/ Control                                 |                                     |
| <b>Inrush current maximum</b>                            | 3 A                                 |
| Connections/ Terminals                                   |                                     |
| <b>Type of electrical connection</b>                     |                                     |
| • of modules and accessories                             | Spring-type terminal                |
| <b>Type of connectable conductor cross-sections</b>      |                                     |
| • solid without core end processing                      | 2x (0.25 ... 1.5 mm <sup>2</sup> )  |
| • finely stranded with core end processing               | 2x (0.25 ... 0.75 mm <sup>2</sup> ) |
| • finely stranded without core end processing            | 2x (0.25 ... 1.5 mm <sup>2</sup> )  |
| • at AWG conductors                                      | 2x (24 ... 16)                      |

|  |               |
|--|---------------|
| Tightening torque of the screws in the bracket | 1 ... 1.2 N·m |
|--|---------------|

### Lamp

|                           |                   |
|---------------------------|-------------------|
| Type of light source      | LED               |
| Color of the light source | yellow            |
| Light intensity           | 450 ... 1 120 mcd |

### Ambient conditions

|  |   |
|--|---|
| <b>Ambient temperature</b>   |   |
| <ul style="list-style-type: none"> <li>during operation</li> <li>during storage</li> </ul> | <p>-25 ... +70 °C</p> <p>-40 ... +80 °C</p>   |
| Environmental category during operation acc. to IEC 60721                                  | 3M6, 3S2, 3B2, 3K6 (with relative air humidity of 10 ... 95 %, no condensation in operation permitted for all devices behind front panel) |

### Installation/ mounting/ dimensions

|  |                      |
|--|----------------------|
| <b>Mounting type</b>   | front panel mounting |
| <ul style="list-style-type: none"> <li>of modules and accessories</li> </ul> | Front plate mounting |
| Height   | 40 mm                |
| Width  | 30 mm                |
| Shape of the installation opening  | round                |
| Mounting diameter  | 22.3 mm              |
| Positive tolerance of installation diameter                                  | 0.4 mm               |
| Mounting height  | 11.8 mm              |
| Installation width   | 29.5 mm              |
| Installation depth   | 49.7 mm              |

### Certificates/ approvals

| General Product Approval | Declaration of Conformity | Test Certificates |
|--------------------------|---------------------------|-------------------|
|--------------------------|---------------------------|-------------------|



[Miscellaneous](#)

[Type Test Certificates/Test Report](#)

### Marine / Shipping



### other

[Confirmation](#)

### Further information

**Information- and Downloadcenter (Catalogs, Brochures,...)**

<https://www.siemens.com/ic10>

**Industry Mall (Online ordering system)**

<https://mall.industry.siemens.com/mall/en/en/Catalog/product?mlfb=3SU1153-6AA30-3AA0-Z X90>

**Cax online generator**

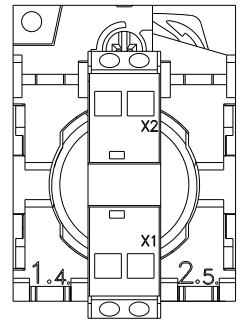
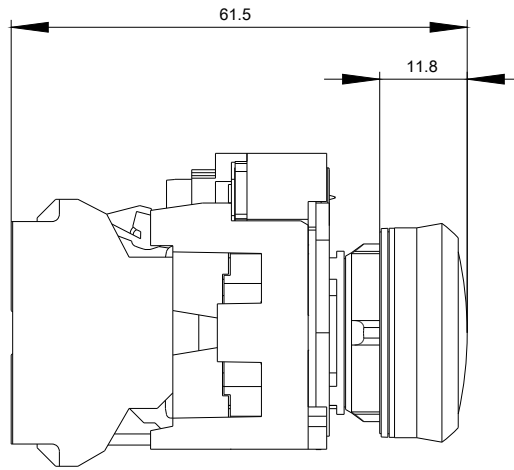
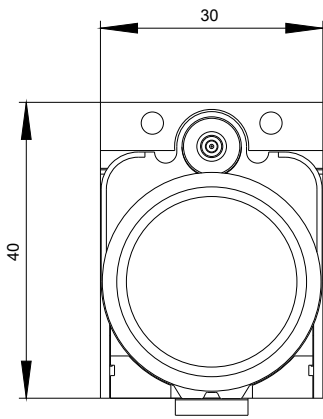
<http://support.automation.siemens.com/WW/CAXorder/default.aspx?lang=en&mlfb=3SU1153-6AA30-3AA0-Z X90>

**Service&Support (Manuals, Certificates, Characteristics, FAQs,...)**

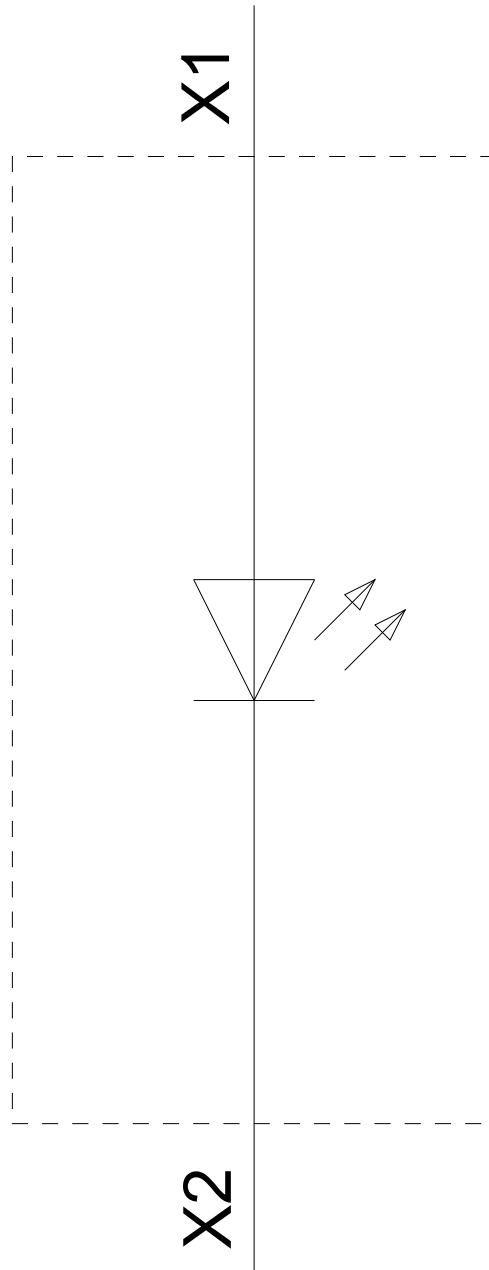
<https://support.industry.siemens.com/cs/ww/en/ps/3SU1153-6AA30-3AA0-Z X90>

**Image database (product images, 2D dimension drawings, 3D models, device circuit diagrams, EPLAN macros, ...)**

[http://www.automation.siemens.com/bilddb/cax\\_de.aspx?mlfb=3SU1153-6AA30-3AA0-Z X90&lang=en](http://www.automation.siemens.com/bilddb/cax_de.aspx?mlfb=3SU1153-6AA30-3AA0-Z X90&lang=en)



110 V AC  
-P



last modified:

02/06/2020